

4

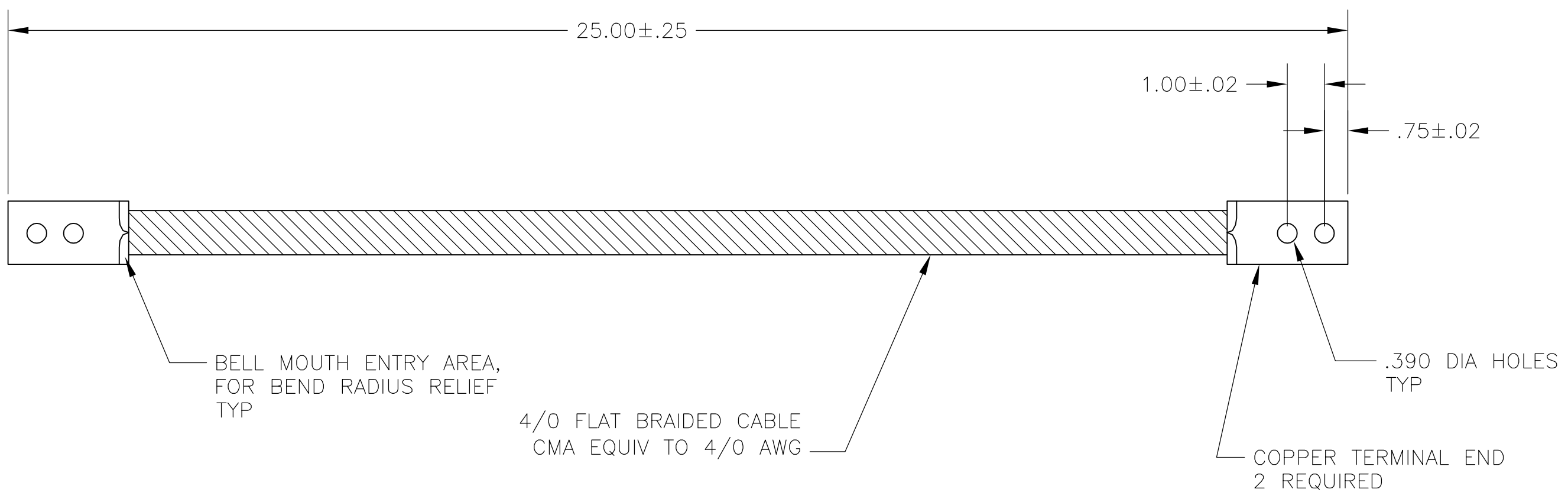
3

2

1

THIS DRAWING IS UNPUBLISHED. RELEASED FOR PUBLICATION
 © COPYRIGHT - BY TYCO ELECTRONICS CORPORATION. ALL RIGHTS RESERVED.

| LOC | DIST | REVISIONS | | | | | |
|-----|------|-----------|-----|-----------------------|---------|-----|------|
| G | 02 | P | LTR | DESCRIPTION | DATE | DWN | APVD |
| | | A | | REL PER ECR 06-029391 | 14DEC06 | JR | MS |



1958023-1
 PART NO

| | | | | |
|--|--|------------------------------|---|-----------------------|
| THIS DRAWING IS A CONTROLLED DOCUMENT. | | DWN jr_ruth 29SEP06 | Tyco Electronics Corporation Harrisburg, PA 17105-3608 | |
| DIMENSIONS: INCHES | | CHK MJ SPICER 29SEP06 | | |
| TOLERANCES UNLESS OTHERWISE SPECIFIED: 0 PLC ± - 1 PLC ± - 2 PLC ± - 3 PLC ± - 4 PLC ± - ANGLES ± 5° | | APVD MJ SPICER 29SEP06 | NAME BRAIDED CABLE ASSEMBLY | |
| MATERIAL - | | FINISH - | PRODUCT SPEC - | APPLICATION SPEC - |
| | | WEIGHT - | SIZE A3 | CAGE CODE 00779 |
| | | DRAWING NO C-1958023 | | RESTRICTED TO - |
| CUSTOMER DRAWING | | | SCALE NTS | SHEET 1 OF 1 |
| | | | REV A | |