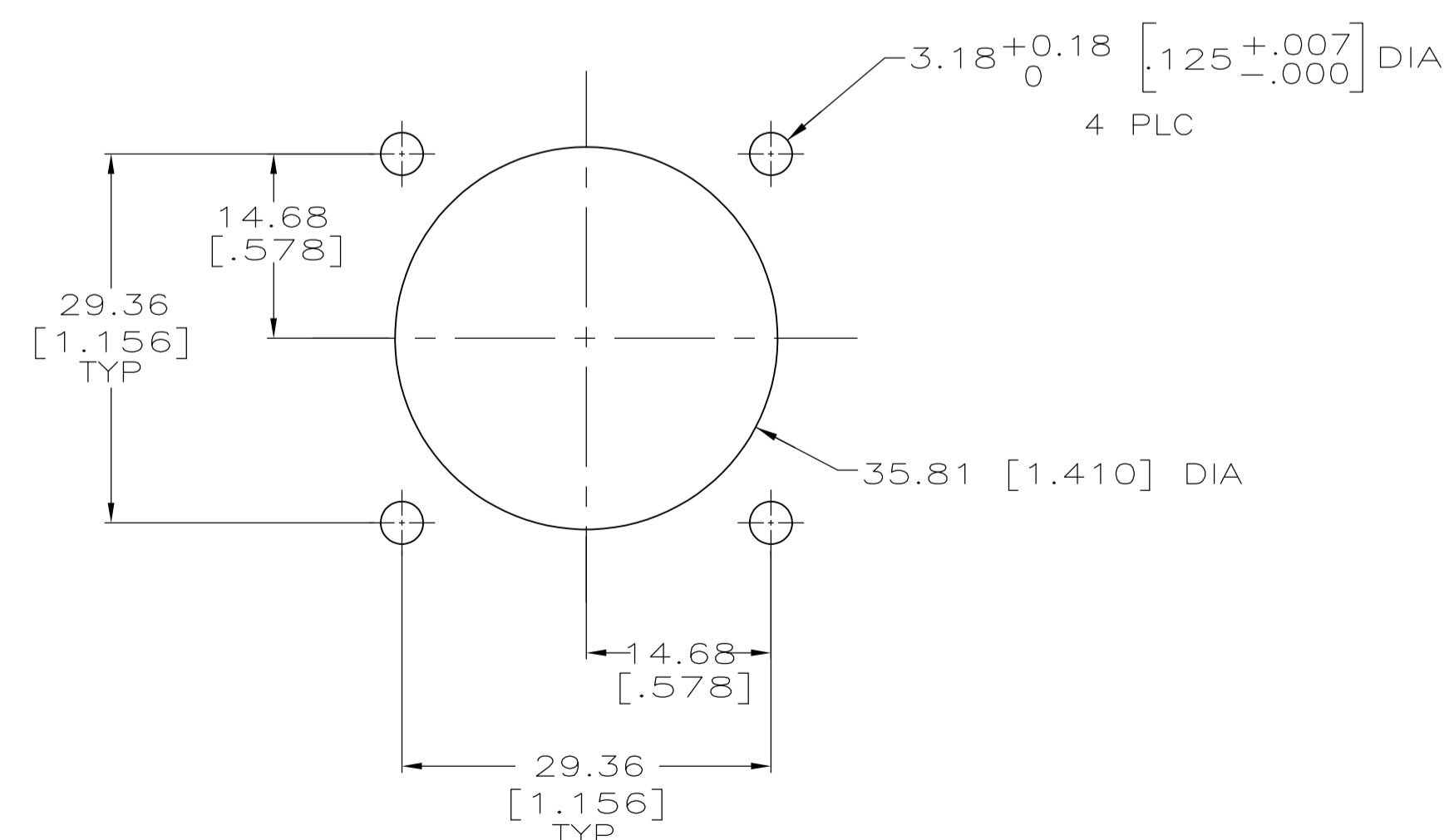
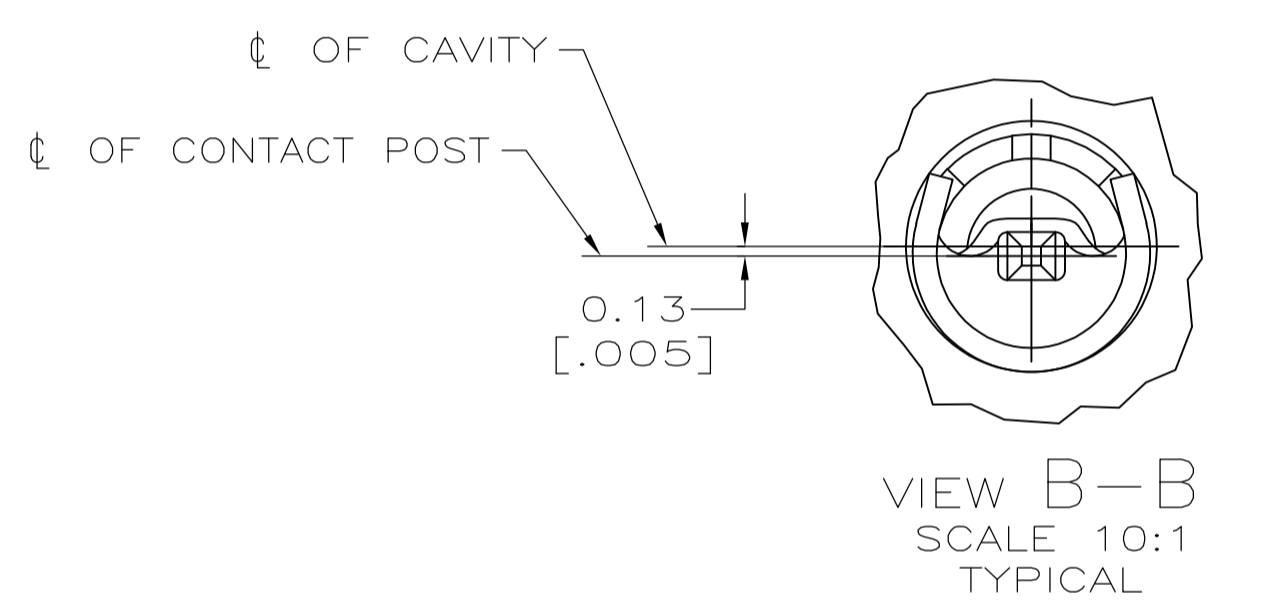
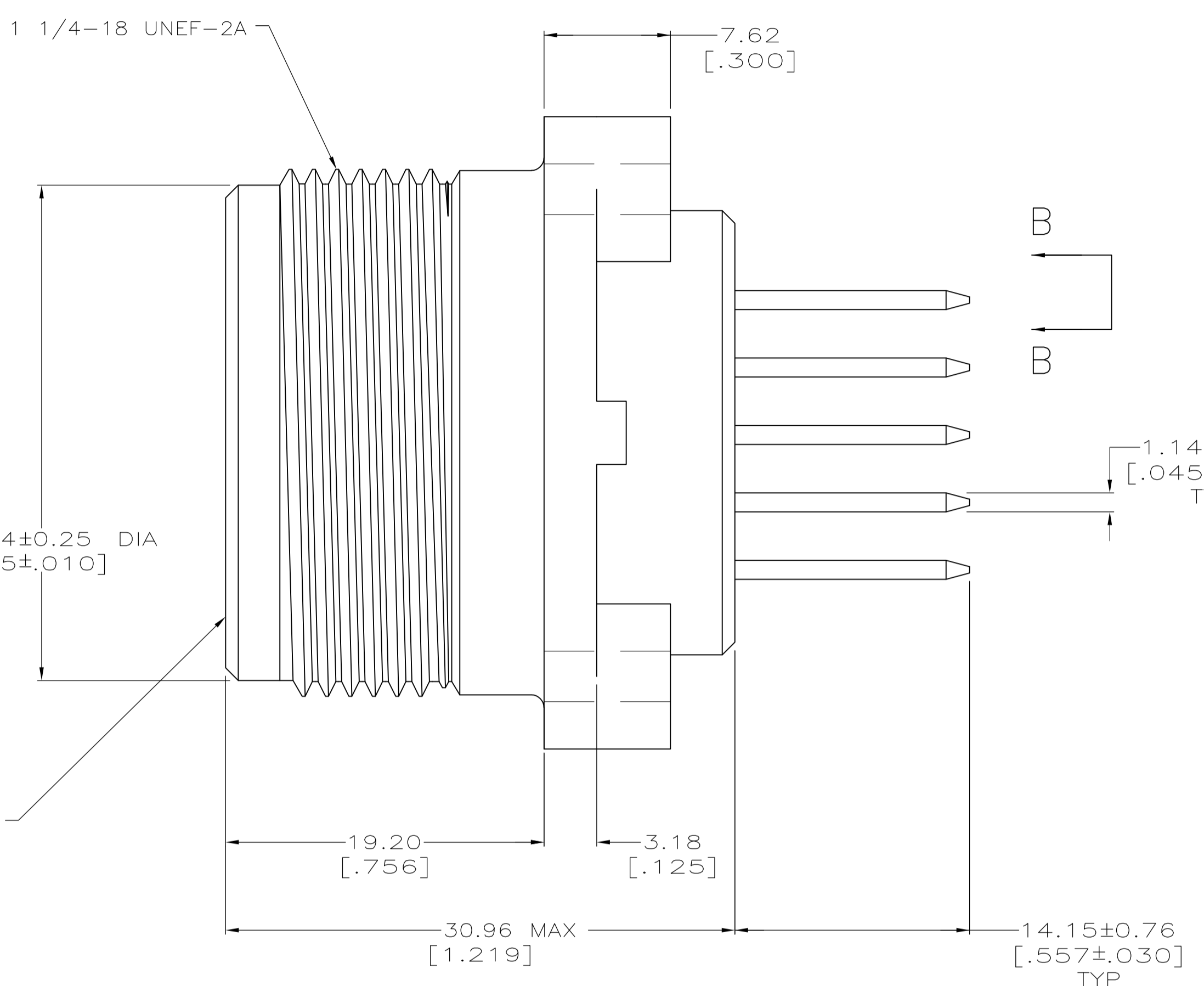
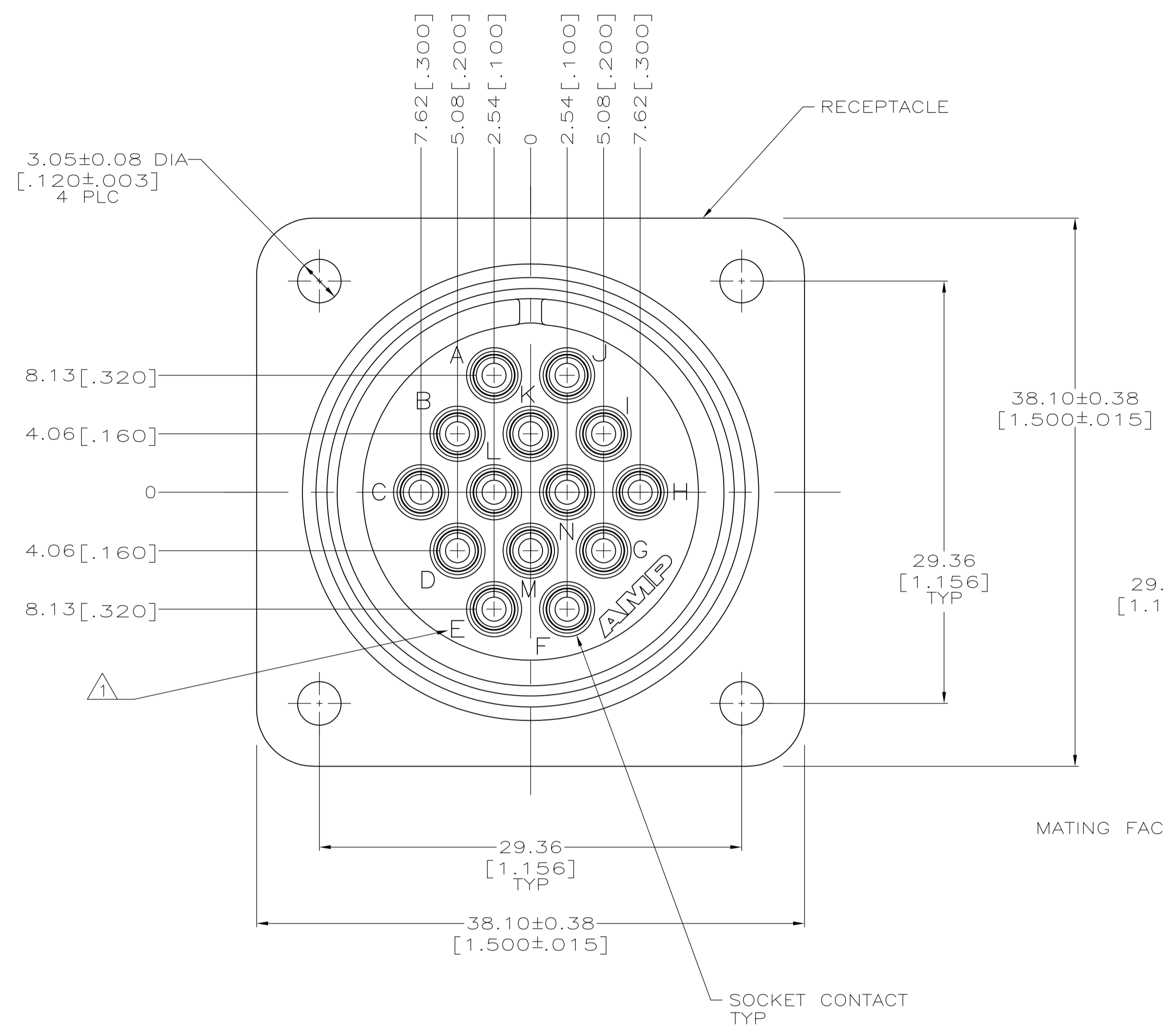


REVISIONS					
REV	DATE	DESCRIPTION	BY	CHK	APPV
C3	08SEP2016	REVISED PER ECO-16-004800	NK		MZ
D	05APR2017	REVISED PER ECO-17-004657	RS		MZ



RECOMMENDED PANEL CUTOUT
SCALE 2:1

- △ CAVITY IDENTIFICATION CHARACTERS ON FRONT AND REAR FACE.
- △ RECEPTACLE: NYLON, UL 94V-0 RATED, BLACK.
CONTACT AND POST: BRASS.
SPRING: STAINLESS STEEL.
- △ SOCKET CONTACT AND POST: 2.54um [.000100] MIN TIN-LEAD OVER 1.27um [.000050] MIN NICKEL.
- △ SOCKET CONTACT AND POST: 2.54um [.000100] MIN TIN OVER 1.27um [.000050] MIN NICKEL.
- △ OBSOLETE PARTS: OBSOLETE CIS STREAMLINING PER D.RENAUD/D.SINISI

OBSOLETE	△4	B, C, D, E, F, H, I, J, L, M, N	-1-213928-4-
OBSOLETE	△4	A, B, C, D, E, F, G, H, K	-1-213928-3-
	△4	A, B, C, D, E, K	1-213928-2
	△4	ALL	1-213928-1
OBSOLETE	△3	B, C, D, E, F, H, I, J, L, M, N	-213928-4-
OBSOLETE	△3	A, B, C, D, E, F, G, H, K	-213928-3-
OBSOLETE	△3	A, B, C, D, E, K	-213928-2-
OBSOLETE	△3	ALL	-213928-1-

DIMENSIONS:		TOLERANCES UNLESS OTHERWISE SPECIFIED:		FINISH		POSITIONS LOADED		PART NUMBER	
mm	[INCHES]	0 PLC	± -						
		1 PLC	± -						
		2 PLC	± 0.13 [.005]						
		3 PLC	± -						
		4 PLC	± -						
		ANGLES	± -						

THIS DRAWING IS A CONTROLLED DOCUMENT.

DIMENSIONS: mm [INCHES]

TOLERANCES UNLESS OTHERWISE SPECIFIED:

0 PLC ± -

1 PLC ± -

2 PLC ± 0.13 [.005]

3 PLC ± -

4 PLC ± -

ANGLES ± -

MATERIAL FINISH

FINISH

POSITIONS LOADED

PART NUMBER

THIS DRAWING IS A CONTROLLED DOCUMENT.

DIN C. OBERMAN 31 OCT 95

CHK R. STONE 1 NOV 95

APVD R. BYERS 2 NOV 95

NAME

RECEPTACLE ASSEMBLY, 20-14, REVERSE SEX, CPC

STE TE Connectivity

SIZE A1

CAGE CODE 00779

DRAWING NO. 213928

RESTRICTED TO

CUSTOMER DRAWING

SCALE 4:1

SHEET 1 OF 1

REV D