

Contact assignment:

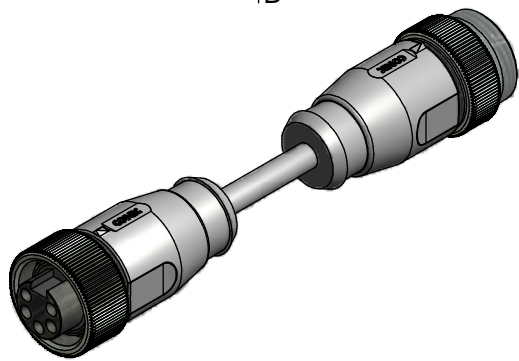
- 1) black
- 2) blue
- PE) green-yellow
- 4) brown
- 5) white

Technical specification:

Rated voltage: IEC 60664-1	300 V
Overvoltage category: IEC 60664-1	2
Overvoltage: IEC 60664-1	2,7 kV
Current rating: IEC 60512-3 at 40°C	0,75mm ² 1,5mm ² 8 A 10 A
Insulation resistance: IEC 60512	>=100 MΩ
Pollution degree: IEC 60664-1	3/2
Degree of protection: IEC 60529	IP 68, in mated condition
Temperature range: IEC 60664-1	-30°C ... +80°C
Mating cycles: IEC 60512-9a	>=100
Termination:	crimped

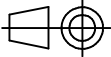
Materials:

Contact:	CuZn
Contact plating:	Nickel, gold plated
Contact carrier:	TPU, UL 94
Coupling nut/ screw:	CuZn, nickel plated
Moulding body:	TPU, UL 94, grey



Part no:	Description:	Length L:	Cable:
41-01225	SAL - 7/8 - RK4PE - RS4PE - 0,6 / A3	0,6m	PVC, UL 2464, grey, 5x0,75mm ² Cable: 781-A37500
41-01226	SAL - 7/8 - RK4PE - RS4PE - 1 / A3	1m	
41-01227	SAL - 7/8 - RK4PE - RS4PE - 1,5 / A3	1,5m	
41-01228	SAL - 7/8 - RK4PE - RS4PE - 2 / A3	2m	
41-xxxxx	SAL - 7/8 - RK4PE - RS4PE - ... / A3	x	
41-01273	SAL - 7/8 - RK4PE - RS4PE - 0,6 / A3 / 150	0,6m	PVC, UL 2464, grey, 5x1,50mm ² Cable: 781-A38500
41-01274	SAL - 7/8 - RK4PE - RS4PE - 1 / A3 / 150	1m	
41-01275	SAL - 7/8 - RK4PE - RS4PE - 1,5 / A3 / 150	1,5m	
41-01276	SAL - 7/8 - RK4PE - RS4PE - 2 / A3 / 150	2m	
41-xxxxx	SAL - 7/8 - RK4PE - RS4PE - ... / A3 / 150	x	

D see data sheet cable

DO NOT ALTER CAD DRAWING BY HAND	Directive 2002/95/EC RoHS compliant	Index: b 06.09.10 KH Ä3736 technical specification changed, part no. cable in table added, neutral line added	 dim. in mm	title: Connecting cable 7/8", female connector axial - male connector axial dwg no: 41K1A363 part no: see table						
		tolerance of cable: L ≤ 4m: L + 40mm L > 4m: L + 1%			<table border="1"> <tr> <td>date</td> <td>name</td> </tr> <tr> <td>drawn 12.02.08</td> <td>Franz</td> </tr> <tr> <td>appd. 12.02.08</td> <td>Mankopf</td> </tr> </table>	date	name	drawn 12.02.08	Franz	appd. 12.02.08
		date	name							
		drawn 12.02.08	Franz							
appd. 12.02.08	Mankopf									
THIS DRAWING MAY NOT BE COPIED OR REPRODUCED IN ANY WAY, AND MAY NOT BE PASSED ON TO A THIRD PARTY WITHOUT WRITTEN PERMISSION. OWNERSHIP AND COPYRIGHT OF CONEC GmbH	