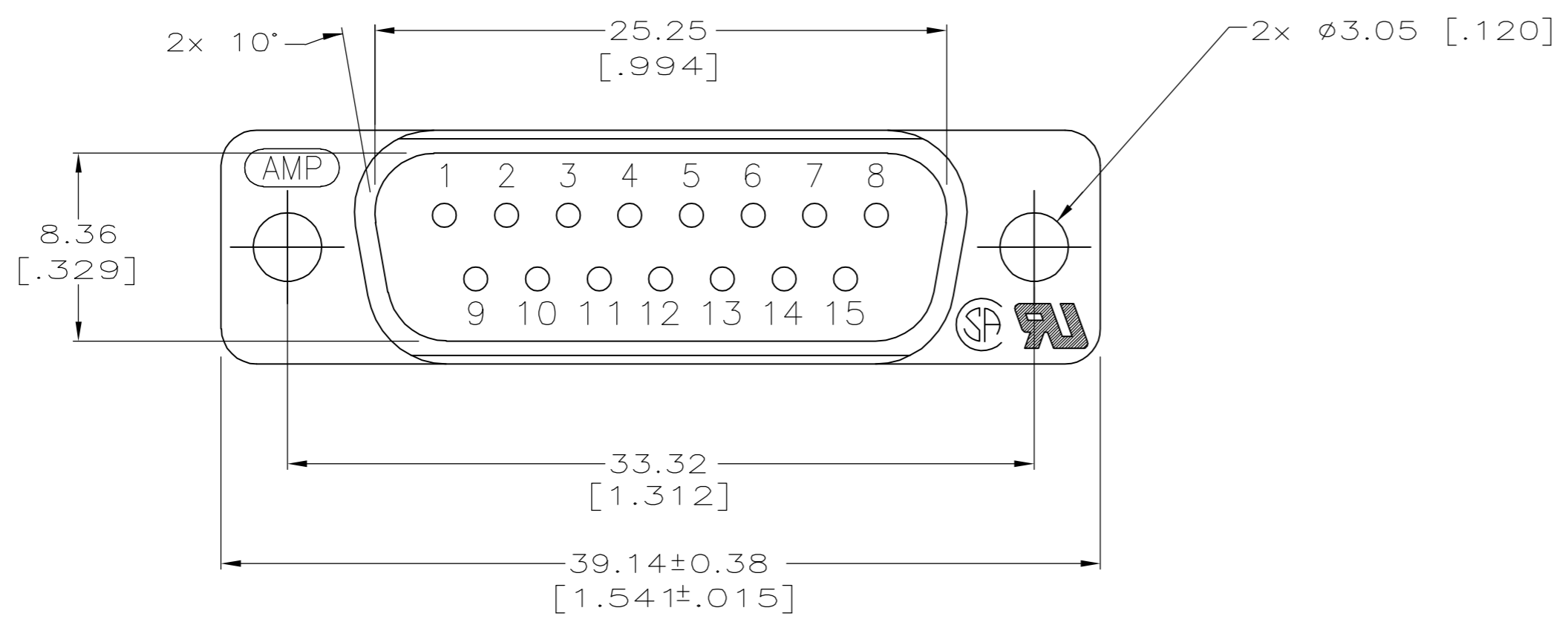
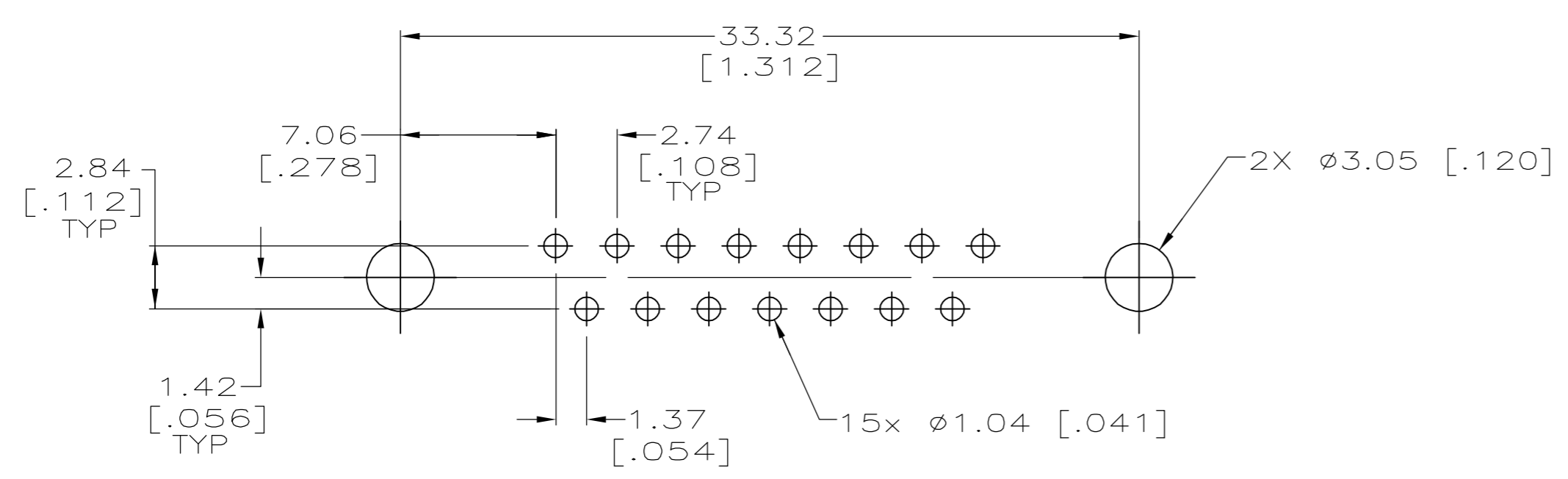
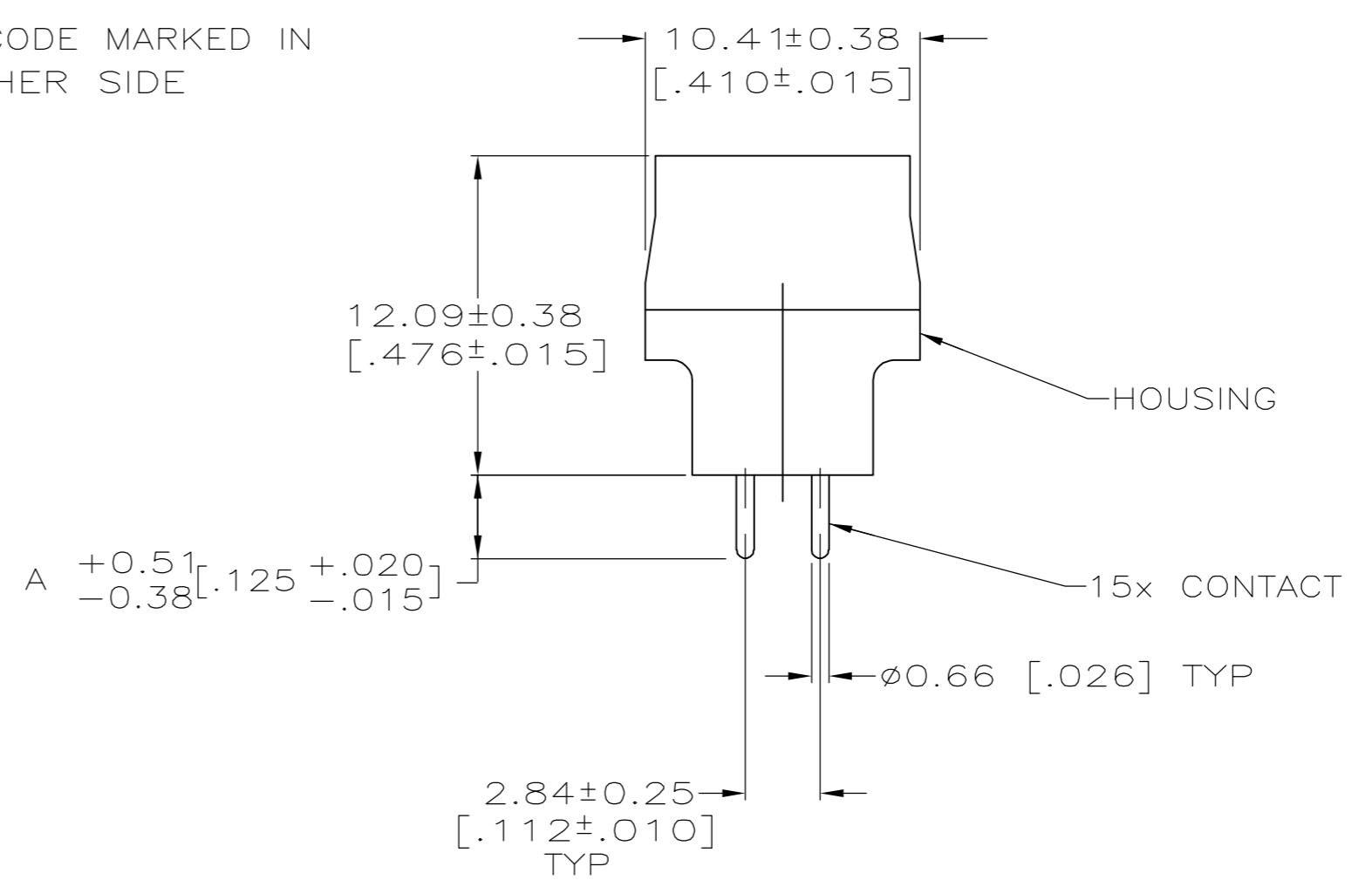
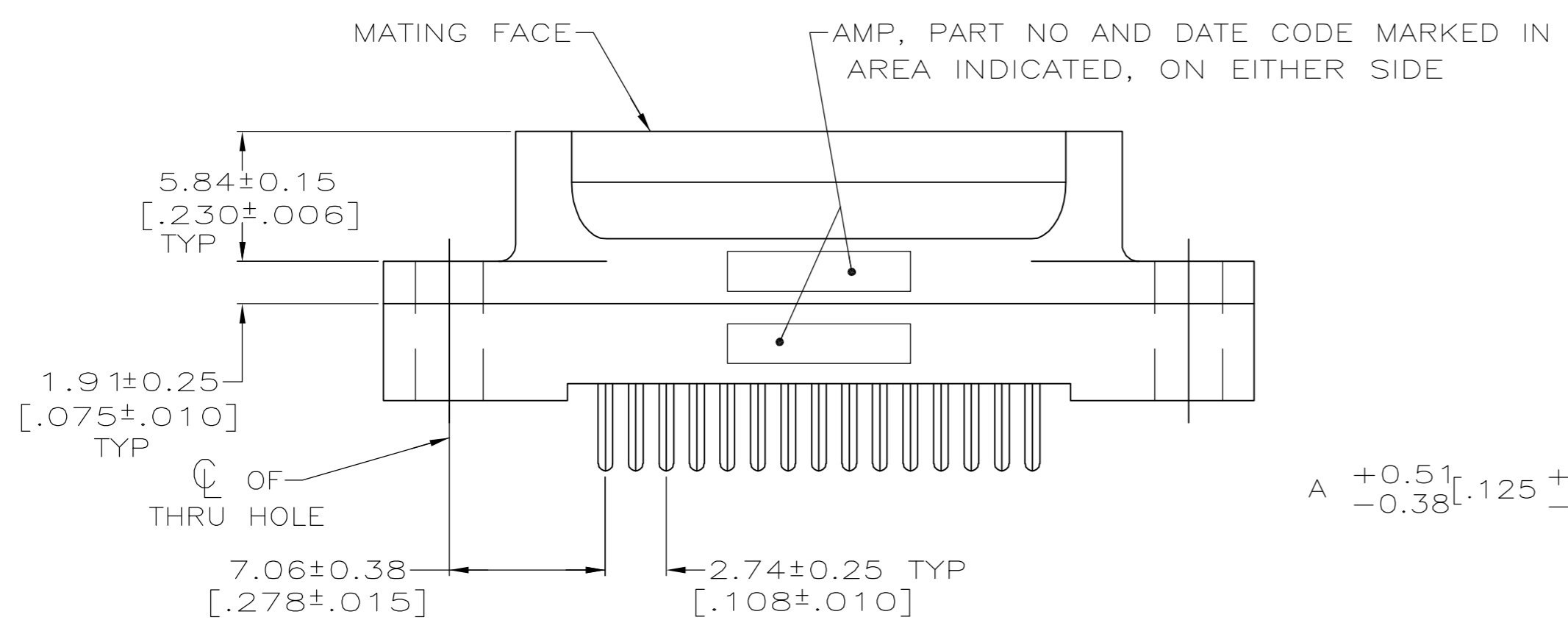


THIS DRAWING IS UNPUBLISHED. RELEASED FOR PUBLICATION
 © COPYRIGHT BY TYCO ELECTRONICS CORPORATION. ALL RIGHTS RESERVED.

| LOC | | DIST | | REVISIONS | | | |
|-----|-----|---------------------------|---------|-----------|------|--|--|
| P | LTR | DESCRIPTION | DATE | DWN | APVD | | |
| GP | 00 | | | | | | |
| | K | REVISED PER ECO-06-024575 | 24JAN07 | JDP | EDB | | |



- 1 HOUSING: BLACK POLYESTER, UL 94V-0 RATED. CONTACTS: BRASS PER MIL-C-50.
- 2 GOLD PLATED FOR LENGTH OF 3.81 [.150] MIN FROM MATING END, GOLD FLASH IN MATED AREA, 2.54µm [.000100] MIN TIN OR TIN-LEAD FOR A LENGTH OF DIMENSION A FROM OPPOSITE END, ALL OVER 1.27µm [.000050] MIN NICKEL.
- 3 GOLD PLATED FOR LENGTH OF 3.81 [.150] MIN FROM MATING END, 0.76µm [.000030] MIN GOLD IN MATED AREA, 2.54µm [.000100] MIN TIN OR TIN-LEAD FOR A LENGTH OF DIMENSION A FROM OPPOSITE END, ALL OVER 1.27µm [.000050] MIN NICKEL.
OR
GOLD FLASH OVER PALLADIUM NICKEL PLATED FOR LENGTH OF 3.81 [.150] MIN FROM MATING END, 0.76µm [.000030] MIN PALLADIUM NICKEL IN MATED AREA, 2.54µm [.000100] MIN TIN OR TIN-LEAD FOR A LENGTH OF DIMENSION A FROM OPPOSITE END, BOTH OVER 1.27µm [.000050] MIN NICKEL.



RECOMMENDED PC BOARD MOUNTING DIMENSIONS

| | A | CONTACT FINISH | PART NUMBER |
|-------------------|-------------|----------------|-------------|
| OBSOLETE | 6.35 [.250] | 3 | 208007-6 |
| OBSOLETE | 6.35 [.250] | 2 | 208007-5 |
| OBSOLETE | 4.32 [.170] | 3 | 208007-4 |
| SUPSD BY 208007-4 | 4.32 [.170] | 2 | 208007-3 |
| | 3.18 [.125] | 3 | 208007-2 |
| OBSOLETE | 3.18 [.125] | 2 | 208007-1 |

| | | | | |
|--|-------------|--------------------------|--|-----------------|
| THIS DRAWING IS A CONTROLLED DOCUMENT. | | DWN J. POLIGNONE 01FEB07 | tyco Tyco Electronics Corporation | |
| DIMENSIONS: mm [INCHES] | | CHK E. BRIANT 01FEB07 | Harrisburg, PA 17105-3608 | |
| TOLERANCES UNLESS OTHERWISE SPECIFIED: | | APVD E. BRIANT 01FEB07 | NAME | |
| 0 PLC ± - | 1 PLC ± - | PRODUCT SPEC | PLUG ASSEMBLY, SIZE 2, | |
| 2 PLC ± 0.13 [.005] | 3 PLC ± - | APPLICATION SPEC | 15 POSN, VERTICAL, | |
| 4 PLC ± - | ANGLES ± 2° | | AMPLIMITE HD-20 | |
| MATERIAL 1 | FINISH 2 3 | WEIGHT - | SIZE A2 | CAGE CODE 00779 |
| CUSTOMER DRAWING | | SCALE 4:1 | DRAWING NO C=208007 | RESTRICTED TO - |
| | | SHEET 1 of 1 | REV K | |