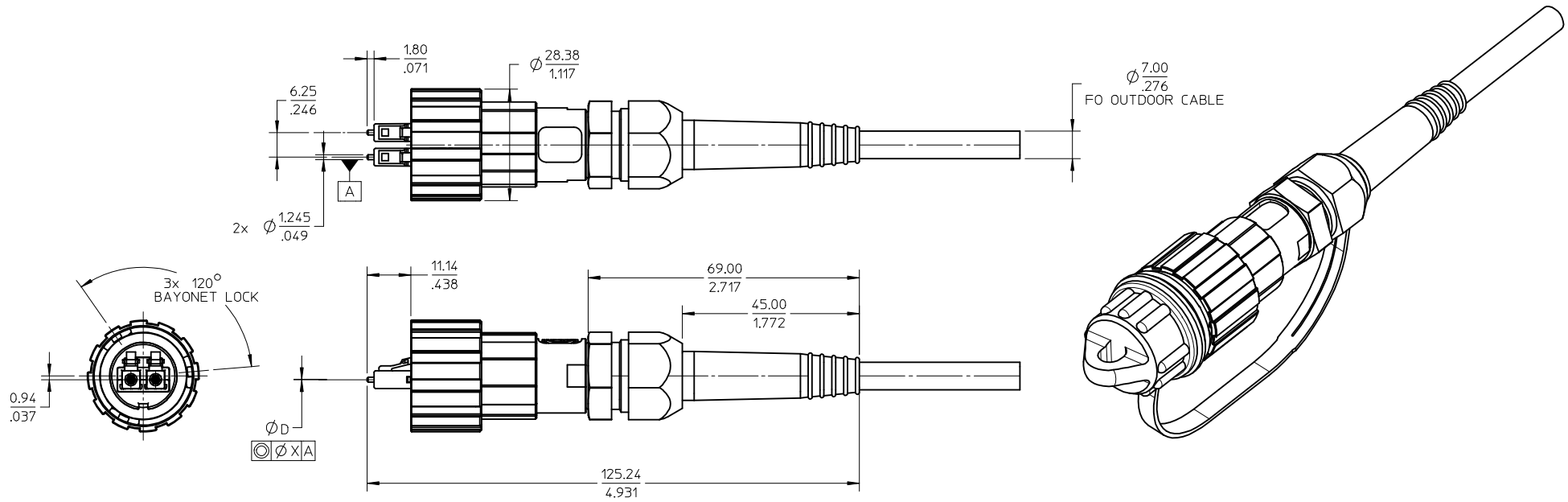


10	9	8	7
PLUG ASSY P/N	CABLE TYPE	$\phi D (\mu)$	$\phi X (\mu)$
1060597300	MULTIMODE	127 +3/-0	3
1060597700	SINGLE MODE	126 +1/-0	1



NOTES:

1. ALL DIMENSIONS SHOWN ARE FOR REFERENCE ONLY.
2. DUST CAP AND TETHER ARE SHOWN IN THE ISOMETRIC VIEW ONLY.

ENTER DESCRIPTION EC NO: MF2009-0294 DR: MANKPEVZNER 2008/12/16 CHKD: 2008/12/16 APPR: IGUMIN 2008/12/17	QUALITY SYMBOLS ▽=0 ▽=0	GENERAL TOLERANCES (UNLESS SPECIFIED)		DIMENSION STYLE MM/IN	SCALE 1:1	DESIGN UNITS METRIC	THIRD ANGLE PROJECTION
		4 PLACES ±--- ±--- 3 PLACES ±--- ±--- 2 PLACES ±--- ±--- 1 PLACE ±--- ±---	mm INCH	DRAWN BY DATE B. ANDREI 11/02/2006	TITLE PLUG ASSEMBLY METAL BODY INDUSTRIAL LC NO LOGO		
		ANGULAR ±---°		CHECKED BY DATE S. MIGO 12/4/2006	MOLEX INCORPORATED		
		DRAFT WHERE APPLICABLE MUST REMAIN WITHIN DIMENSIONS		APPROVED BY DATE	DOCUMENT NO. SD-106059-7300 SHEET NO. 1 OF 1		
REV B	DESCRIPTION	MATERIAL NO. SEE TABLE		THIS DRAWING CONTAINS INFORMATION THAT IS PROPRIETARY TO MOLEX INCORPORATED AND SHOULD NOT BE USED WITHOUT WRITTEN PERMISSION			