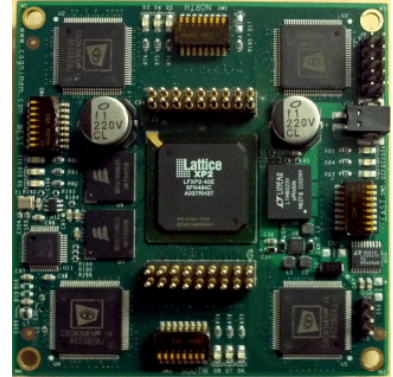


Reconfigurable and Stackable Pattern Recognition Module

CogniBlox is a stackable and reconfigurable module allowing the design of versatile, massively parallel pattern recognition architectures for high-performance cognitive computing, sensor fusion, video analytics and more. It is composed of 4 CM1K chips (4096 neurons), a Field Programmable Gate Array (FPGA), 4 MB magnetic RAM (MRAM) from Everspin Technologies, 2 spinal connectors for vertical stacking and 4 cardinal connectors for communication with other CogniBlox, sensors and devices.

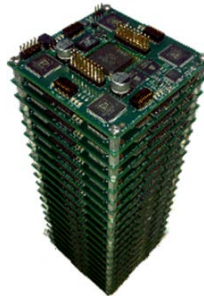
Thanks to the natively hardwired parallel architecture of the CM1K neurons, the CogniBlox boards can be stacked vertically through a "spine" connector, but also connected horizontally to build massively parallel neural networks.



Match one pattern (up to 256 bytes) against 1000, 10000, 100000, 1 Million or more...  
**CogniBlox will do it in a fixed 10  $\mu$ S per vector and consuming 250 mW. per 1,000 patterns**

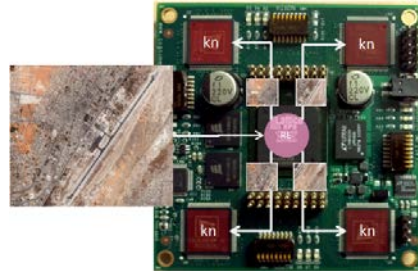
*CogniBlox for Data Mining*

Recognize and classify of vectors against large datasets or knowledge bases.



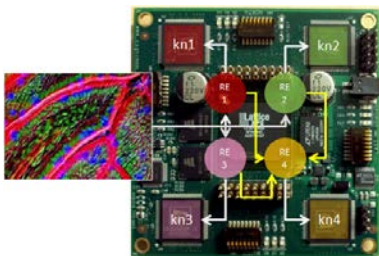
*CogniBlox for Video Analytics*

Process images N times faster by distributing the recognition to multiple CM1K chips.



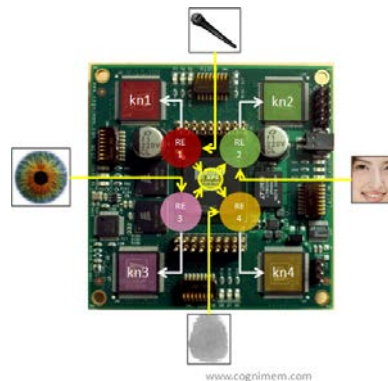
*CogniBlox for Complex Recognition*

Build robust diagnostics using multiple recognition engine and hypothesis generation



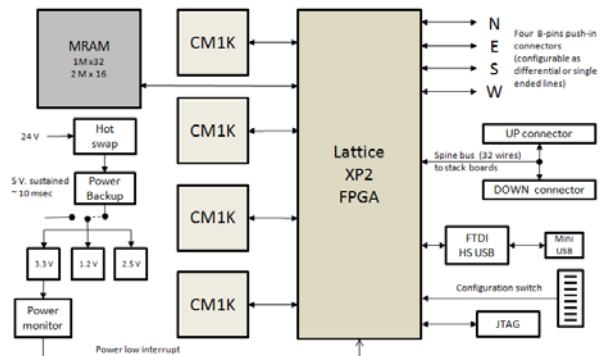
*CogniBlox for Sensor Fusion*

Multiple sensor inputs (video, sound, accelerometer) for composite recognition.



## Specifications

- 4 CM1K chips
- Lattice XP2 FPGA with 40,000 logic elements
- Programmable through a JTAG connector, USB connector or 2 SPI lines.
- 2 chips of 2M x16bits EverSpin MRAM, 35 ns access time
- 2 “spinal” spring-loaded 18-pin connectors for vertical stackability of up to 10 CogniBlox modules.
- 4 “cardinal” 8-pin push-in connectors for communication with sensors and other devices including another stack of CogniBlox.
- Typical interface can be LVSD, I2C, SPI or else. Switch configuration allows for 3 differential pairs and 2 single-ended wires, or eight single-ended wires
- USB connector to USB high speed 480 Mbit FTDI chip
- JTAG to program and debug the FPGA
- Power supply through USB for a single board, or 24v external power supply for a stack of boards
- Hot swap regulator
- During power up/down sequence, the contents of the neurons is saved to and restored from MRAM. The power backup time is generous to allow this automatic procedure (< than 5 ms)



The Field Programmable Gate Array (FPGA) of the Cogniblox let's you if the four CM1K chips shall be grouped into a single or multiple neural networks (also referred to as a chain of neurons) and how the input data shall be dispatched to and processed by these various networks. Multiple recognition engines can be programmed in the FPGA and execute independently or with inter-dependencies based on what they recognize, as well as contextual information such as time, location, etc. The programming of the FPGA can go beyond a single CogniBlox board by establishing control and data buses through the “spinal” and “cardinal” connectors of the board. This allows expanding the chains of neurons to thousands and more.

*The common denominator of any configuration is that for a given chain of neurons (of any size), the recognition of a vector ALWAYS takes only 10 microseconds.*

## Factory Firmware

The FPGA can be programmed using Lattice's Diamond software which is available as a download from the Lattice website for both Windows and Linux. Once downloaded and installed, it can be used with either a free license or a subscription license.

The default firmware programmed on the FPGA at factory settings implements a simple Register Transfer Level protocol to access the chain of the four CM1K chips on a single board.

## Ordering Information

CogniBlox  
Optional JTAG programmer