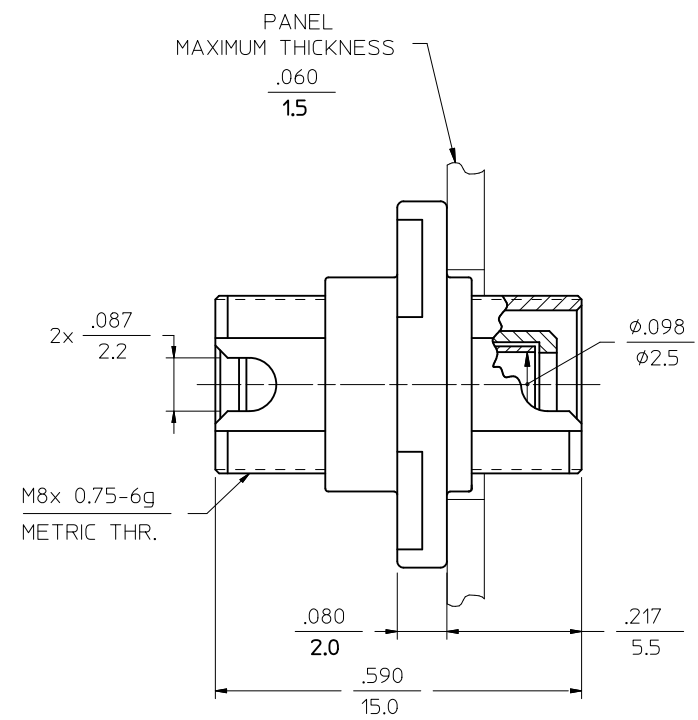
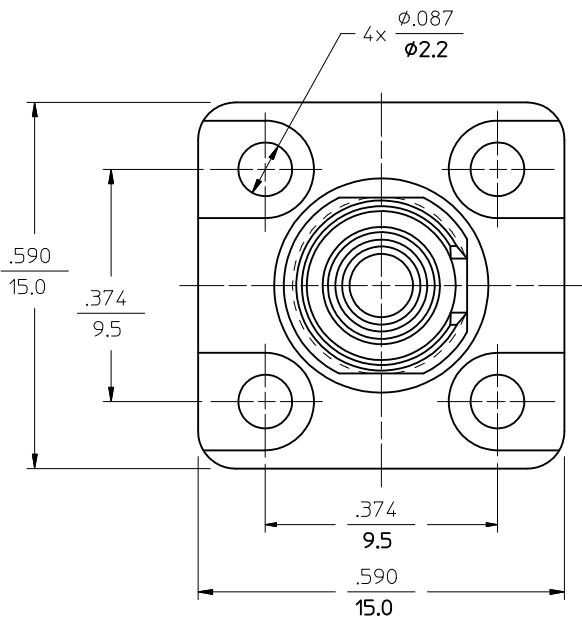
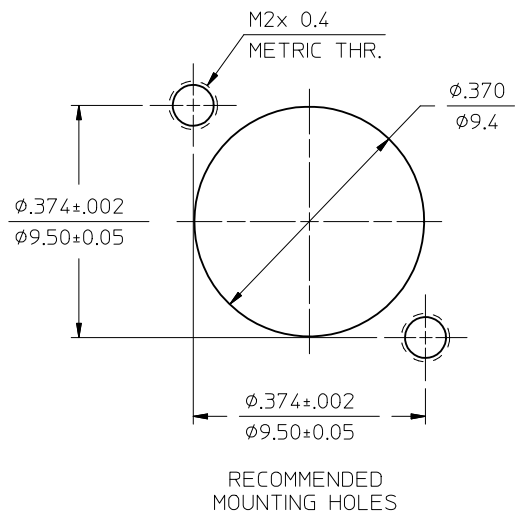


P/N OF ADAPTER	MATERIAL OF SLEEVE	APPLICATION
106152-0100	ZR	SM & MM
106156-0100	PHOSPHOR BRONZE	SM & MM



NOTE:
1. DUST CAPS ARE NOT SHOWN, BUT ARE INCLUDED.

ENTER DESCRIPTION EC NO: MF2010-0379 DRW: MKPEVZNER CHKD: 2010/03/05 APPR: IGUMIN 2010/04/05	QUALITY SYMBOLS $\nabla=0$ $\nabla 7=0$	GENERAL TOLERANCES (UNLESS SPECIFIED)	DIMENSION STYLE IN/MM	SCALE 1:1	DESIGN UNITS INCH	THIRD ANGLE PROJECTION																							
		<table border="1"> <thead> <tr> <th></th> <th>mm</th> <th>INCH</th> </tr> </thead> <tbody> <tr> <td>4 PLACES</td> <td>±---</td> <td>±---</td> </tr> <tr> <td>3 PLACES</td> <td>±---</td> <td>±---</td> </tr> <tr> <td>2 PLACES</td> <td>±---</td> <td>±---</td> </tr> <tr> <td>1 PLACE</td> <td>±---</td> <td>±---</td> </tr> </tbody> </table>		mm	INCH	4 PLACES	±---	±---	3 PLACES	±---	±---	2 PLACES	±---	±---	1 PLACE	±---	±---	<table border="1"> <thead> <tr> <th>DRAWN BY</th> <th>DATE</th> </tr> </thead> <tbody> <tr> <td>PGIBLIN</td> <td>2005/10/25</td> </tr> <tr> <th>CHECKED BY</th> <th>DATE</th> </tr> <tr> <td></td> <td></td> </tr> </tbody> </table>	DRAWN BY	DATE	PGIBLIN	2005/10/25	CHECKED BY	DATE			TITLE FC ADAPTER (SQUARE FLANGE)		
		mm	INCH																										
	4 PLACES	±---	±---																										
3 PLACES	±---	±---																											
2 PLACES	±---	±---																											
1 PLACE	±---	±---																											
DRAWN BY	DATE																												
PGIBLIN	2005/10/25																												
CHECKED BY	DATE																												
	ANGULAR $\pm 1/2^\circ$	<table border="1"> <thead> <tr> <th>APPROVED BY</th> <th>DATE</th> </tr> </thead> <tbody> <tr> <td>IGUMIN</td> <td>2010/03/05</td> </tr> </tbody> </table>	APPROVED BY	DATE	IGUMIN	2010/03/05	<table border="1"> <thead> <tr> <th>MATERIAL NO.</th> <th>DOCUMENT NO.</th> <th>SHEET NO.</th> </tr> </thead> <tbody> <tr> <td>SEE TABLE</td> <td>SD-10615X-0100</td> <td>1 OF 01</td> </tr> </tbody> </table>	MATERIAL NO.	DOCUMENT NO.	SHEET NO.	SEE TABLE	SD-10615X-0100	1 OF 01	MOLEX INCORPORATED															
APPROVED BY	DATE																												
IGUMIN	2010/03/05																												
MATERIAL NO.	DOCUMENT NO.	SHEET NO.																											
SEE TABLE	SD-10615X-0100	1 OF 01																											