



AK8963

3-axis Electronic Compass

1. Features

A 3-axis electronic compass IC with high sensitive Hall sensor technology.
Best adapted to pedestrian city navigation use for cell phone and other portable appliance.

Functions:

- 3-axis magnetometer device suitable for compass application
- Built-in A to D Converter for magnetometer data out
- 14-/16-bit selectable data out for each 3 axis magnetic components
 - Sensitivity: 0.6 μ T/LSB typ. (14-bit)
 - 0.15 μ T/LSB typ. (16-bit)
- Serial interface
 - I²C bus interface.
 - Standard mode and Fast mode compliant with Philips I²C specification Ver.2.1
 - 4-wire SPI
- Operation modes:
 - Power-down, Single measurement, Continuous measurement, External trigger measurement, Self test and Fuse ROM access.
- DRDY function for measurement data ready
- Magnetic sensor overflow monitor function
- Built-in oscillator for internal clock source
- Power on Reset circuit
- Self test function with built-in internal magnetic source

Operating temperatures:

- -30°C to +85°C

Operating supply voltage:

- Analog power supply +2.4V to +3.6V
- Digital Interface supply +1.65V to analog power supply voltage.

Current consumption:

- Power-down: 3 μ A typ.
- Measurement:
 - Average power consumption at 8 Hz repetition rate: 280 μ A typ.

Package:

AK8963C	14-pin WL-CSP (BGA):	1.6 mm × 1.6 mm × 0.5 mm (typ.)
AK8963N	16-pin QFN package:	3.0 mm × 3.0 mm × 0.75 mm (typ.)

2. Overview

AK8963 is 3-axis electronic compass IC with high sensitive Hall sensor technology.

Small package of AK8963 incorporates magnetic sensors for detecting terrestrial magnetism in the X-axis, Y-axis, and Z-axis, a sensor driving circuit, signal amplifier chain, and an arithmetic circuit for processing the signal from each sensor. Self test function is also incorporated. From its compact foot print and thin package feature, it is suitable for map heading up purpose in GPS-equipped cell phone to realize pedestrian navigation function.

AK8963 has the following features:

- (1) Silicon monolithic Hall-effect magnetic sensor with magnetic concentrator realizes 3-axis magnetometer on a silicon chip. Analog circuit, digital logic, power block and interface block are also integrated on a chip.
- (2) Wide dynamic measurement range and high resolution with lower current consumption.

Output data resolution:	14-bit (0.6 μ T/LSB)
	16-bit (0.15 μ T/LSB)
Measurement range:	\pm 4900 μ T
Average current at 8Hz repetition rate:	280 μ A typ.
- (3) Digital serial interface
 - I²C bus interface to control AK8963 functions and to read out the measured data by external CPU. A dedicated power supply for I²C bus interface can work in low-voltage apply as low as 1.65V.
 - 4-wire SPI is also supported. A dedicated power supply for SPI can work in low-voltage apply as low as 1.65V.
- (4) DRDY pin and register inform to system that measurement is end and set of data in registers are ready to be read.
- (5) Device is worked by on-chip oscillator so no external clock source is necessary.
- (6) Self test function with internal magnetic source to confirm magnetic sensor operation on end products.

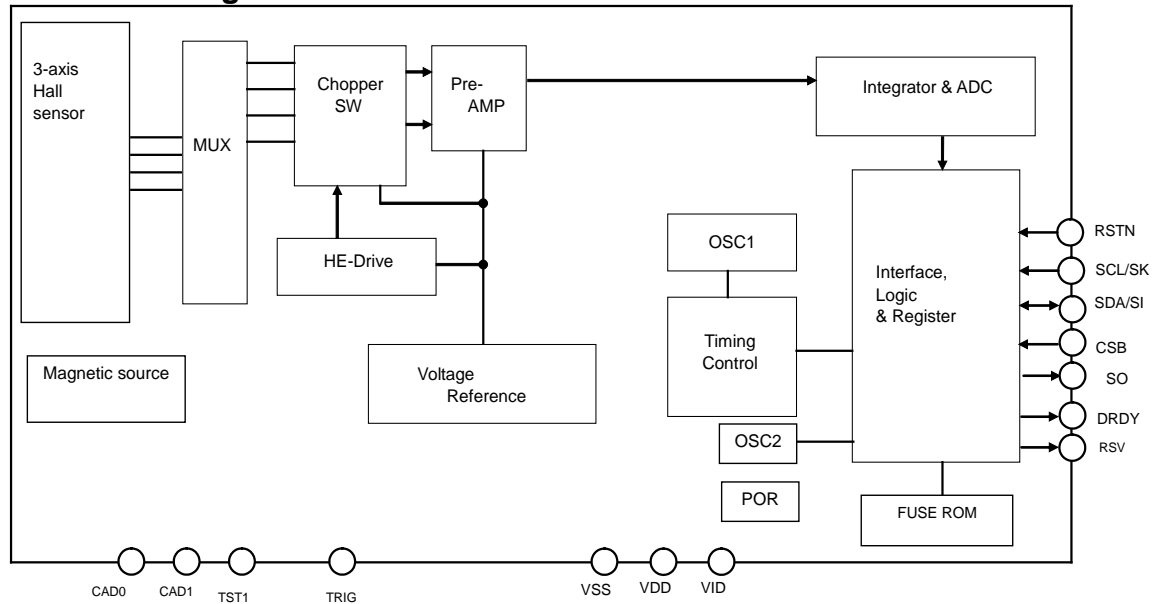
3. Table of Contents

1. Features	1
2. Overview	2
3. Table of Contents	3
4. Circuit Configuration.....	5
4.1. Block Diagram.....	5
4.2. Block Function	5
4.3. Pin Function	6
5. Overall Characteristics.....	7
5.1. Absolute Maximum Ratings.....	7
5.2. Recommended Operating Conditions	7
5.3. Electrical Characteristics	7
5.3.1. DC Characteristics.....	7
5.3.2. AC Characteristics.....	8
5.3.3. Analog Circuit Characteristics	9
5.3.4. 4-wire SPI	10
5.3.5. I ² C Bus Interface.....	11
6. Functional Explanation.....	12
6.1. Power States.....	12
6.2. Reset Functions.....	12
6.3. Operation Modes	13
6.4. Description of Each Operation Mode.....	14
6.4.1. Power-down Mode.....	14
6.4.2. Single Measurement Mode	14
6.4.3. Continuous Measurement Mode 1 and 2.....	15
6.4.3.1. Data Ready.....	15
6.4.3.2. Normal Read Sequence.....	15
6.4.3.3. Data Read Start During Measurement.....	16
6.4.3.4. Data Skip.....	17
6.4.3.5. End Operation	17
6.4.3.6. Magnetic Sensor Overflow	18
6.4.4. External Trigger Measurement Mode.....	18
6.4.5. Self-test Mode.....	19
6.4.6. Fuse ROM Access Mode.....	19
7. Serial Interface	20
7.1. 4-wire SPI	20
7.1.1. Writing Data	20
7.1.2. Reading Data.....	21
7.2. I ² C Bus Interface.....	22
7.2.1. Data Transfer	22
7.2.1.1. Change of Data	22
7.2.1.2. Start/Stop Condition.....	22
7.2.1.3. Acknowledge	23
7.2.1.4. Slave Address	23
7.2.2. WRITE Instruction	24
7.2.3. READ Instruction	25
7.2.3.1. One Byte READ	25
7.2.3.2. Multiple Byte READ.....	25
8. Registers	26
8.1. Description of Registers.....	26
8.2. Register Map.....	27
8.3. Detailed Description of Registers	28
8.3.1. WIA: Device ID	28
8.3.2. INFO: Information	28
8.3.3. ST1: Status 1	28
8.3.4. HXL to HZH: Measurement Data.....	29
8.3.5. ST2: Status 2	30
8.3.6. CNTL1: Control1.....	30

- 8.3.7. CNTL2: Control2..... 31
- 8.3.8. ASTC: Self Test Control..... 31
- 8.3.9. TS1, TS2: Test 1, 2..... 31
- 8.3.10. I2CDIS: I²C Disable..... 31
- 8.3.11. ASAX, ASAY, ASAZ: Sensitivity Adjustment values 32
- 9. Example of Recommended External Connection..... 33
 - 9.1. I²C Bus Interface..... 33
 - 9.2. 4-wire SPI 34
- 10. Package 35
 - 10.1. Marking 35
 - 10.2. Pin Assignment 35
 - 10.3. Outline Dimensions..... 36
 - 10.4. Recommended Foot Print Pattern 37
- 11. Relationship between the Magnetic Field and Output Code 38

4. Circuit Configuration

4.1. Block Diagram



4.2. Block Function

Block	Function
3-axis Hall sensor	Monolithic Hall elements.
MUX	Multiplexer for selecting Hall elements.
Chopper SW	Performs chopping.
HE-Drive	Magnetic sensor drive circuit for constant-current driving of sensor
Pre-AMP	Fixed-gain differential amplifier used to amplify the magnetic sensor signal.
Integrator & ADC	Integrates and amplifies pre-AMP output and performs analog-to-digital conversion.
OSC1	Generates an operating clock for sensor measurement. 12MHz(typ.)
OSC2	Generates an operating clock for sequencer. 128kHz(typ.)
POR	Power On Reset circuit. Generates reset signal on rising edge of VDD.
Interface Logic & Register	Exchanges data with an external CPU. DRDY pin indicates sensor measurement end and data is ready to be read. I ² C bus interface using two pins, namely, SCL and SDA. Standard mode and Fast mode are supported. The low-voltage specification can be supported by applying 1.65V to the VID pin. 4-wire SPI is also supported by SK, SI, SO and CSB pins. 4-wire SPI works in VID pin voltage down to 1.65V, too.
Timing Control	Generates a timing signal required for internal operation from a clock generated by the OSC1.
Magnetic Source	Generates magnetic field for self test of magnetic sensor.
FUSE ROM	Fuse for adjustment

4.3. Pin Function

QFN Pin No.	WLCSP Pin No.	Pin name	I/O	Power supply system	Type	Function
1	A1	DRDY	O	VID	CMOS	Data Ready output pin. "H" active. Informs measurement ended and data is ready to be read.
2	A2	CSB	I	VID	CMOS	Chip select pin for 4-wire SPI. "L" active. Connect to VID when selecting I ² C bus interface.
3	A3	SCL	I	VID	CMOS	When the I ² C bus interface is selected (CSB pin is connected to VID) SCL: Control data clock input pin Input: Schmidt trigger
		SK				When the 4-wire SPI is selected SK: Serial clock input pin
5	A4	SDA	I/O	VID	CMOS	When the I ² C bus interface is selected (CSB pin is connected to VID) SDA: Control data input/output pin Input: Schmidt trigger, Output: Open drain
		SI	I			When the 4-wire SPI is selected SI: Serial data input pin
15	B1	VDD	-	-	Power	Analog Power supply pin.
4	B3	RSV	O	VID	CMOS	Reserved. Keep this pin electrically non-connected.
6	B4	SO	O	VID	CMOS	When the I ² C bus interface is selected (CSB pin is connected to VID) Hi-Z output. Keep this pin electrically non-connected.
						When the 4-wire SPI is selected Serial data output pin
13	C1	VSS	-	-	Power	Ground pin.
14	C2	TST1	I	VDD	CMOS	Test pin. Pulled down by 100kΩ internal resistor. Keep this pin electrically non-connected or connect to VSS.
7	C3	TRG	I	VID	CMOS	External trigger pulse input pin. Enabled only in External trigger mode. Pulled down by 100kΩ internal resistor. When External trigger mode is not in use, keep this pin electrically non-connected or connect to VSS.
8	C4	VID	-	-	Power	Digital interface positive power supply pin.
12	D1	CAD0	I	VDD	CMOS	When the I ² C bus interface is selected (CSB pin is connected to VID) CAD0: Slave address 0 input pin Connect to VSS or VDD.
						When the 4-wire serial interface is selected Connect to VSS.
11	D2	CAD1	I	VDD	CMOS	When the I ² C bus interface is selected (CSB pin is connected to VID) CAD1: Slave address 1 input pin Connect to VSS or VDD.
						When the 4-wire serial interface is selected Connect to VSS.
10	D4	RSTN	I	VID	CMOS	Reset pin. Resets registers by setting to "L". Connect to VID when not in use.

5. Overall Characteristics

5.1. Absolute Maximum Ratings

V_{SS}=0V

Parameter	Symbol	Min.	Max.	Unit
Power supply voltage (V _{DD} , V _{ID})	V+	-0.3	+4.3	V
Input voltage	V _{IN}	-0.3	(V ₊)+0.3	V
Input current	I _{IN}	-	±10	mA
Storage temperature	T _{ST}	-40	+125	°C

(Note 1) If the device is used in conditions exceeding these values, the device may be destroyed. Normal operations are not guaranteed in such exceeding conditions.

5.2. Recommended Operating Conditions

V_{SS}=0V

Parameter	Remark	Symbol	Min.	Typ.	Max.	Unit
Operating temperature		T _a	-30		+85	°C
Power supply voltage	V _{DD} pin voltage	V _{DD}	2.4	3.0	3.6	V
	V _{ID} pin voltage	V _{ID}	1.65		V _{DD}	V

5.3. Electrical Characteristics

The following conditions apply unless otherwise noted:

V_{DD}=2.4V to 3.6V, V_{ID}=1.65V to V_{DD}, Temperature range=-30°C to 85°C

5.3.1. DC Characteristics

Parameter	Symbol	Pin	Condition	Min.	Typ.	Max.	Unit
High level input voltage 1	V _{IH1}	CSB		70%V _{ID}			V
Low level input voltage 1	V _{IL1}	RSTN TRG				30%V _{ID}	V
High level input voltage 2	V _{IH2}	SK/SCL		70%V _{ID}		V _{ID} +0.5	V
Low level input voltage 2	V _{IL2}	SI/SDA		-0.5		30%V _{ID}	V
High level input voltage 3	V _{IH3}	CAD0		70%V _{DD}			V
Low level input voltage 3	V _{IL3}	CAD1				30%V _{DD}	V
Input current 1	I _{IN1}	SK/SCL SI/SDA CSB RSTN	V _{in} =V _{SS} or V _{ID}	-10		+10	μA
Input current 2	I _{IN2}	CAD0 CAD1	V _{in} =V _{SS} or V _{DD}	-10		+10	μA
Input current 3	I _{IN3}	TRG	V _{in} =V _{ID}			100	μA
Input current 4	I _{IN4}	TST1	V _{in} =V _{DD}			100	μA
Hysteresis input voltage (Note 2)	V _{HS}	SCL SDA	V _{ID} ≥2V	5%V _{ID}			V
			V _{ID} <2V	10%V _{ID}			V
High level output voltage 1	V _{OH1}	SO	I _{OH} ≥-100μA	80%V _{ID}			V
Low level output voltage 1	V _{OL1}	DRDY	I _{OL} ≤+100μA			20%V _{ID}	V
Low level output voltage 2 (Note 3)(Note 4)	V _{OL2}	SDA	I _{OL} ≤3mA V _{ID} ≥2V			0.4	V
			I _{OL} ≤3mA V _{ID} <2V			20%V _{ID}	V
Current consumption (Note 5)	IDD1	V _{DD} V _{ID}	Power-down mode V _{DD} =V _{ID} =3.0V		3	10	μA
	IDD2		When magnetic sensor is driven		5	10	mA
	IDD3		Self-test mode		9	15	mA
	IDD4		(Note 6)		0.1	5	μA

(Note 2) Schmitt trigger input (reference value for design)

(Note 3) Maximum load capacitance: 400pF (capacitive load of each bus line applied to the I²C bus interface)

(Note 4) Output is open-drain. Connect a pull-up resistor externally.

(Note 5) Without any resistance load

(Note 6) (case1)V_{DD}=ON, V_{ID}=ON, RSTN pin = "L". (case2)V_{DD}=ON, V_{ID}=OFF(0V), RSTN pin = "L".

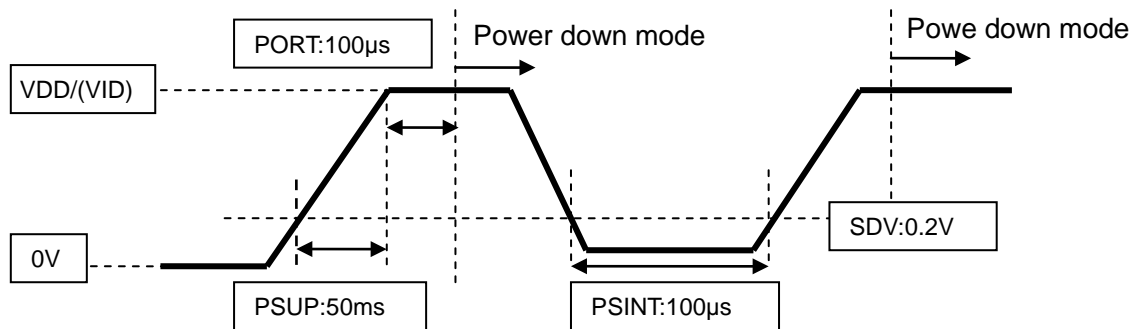
(case3) Vdd=Off(0V), Vid=On.

5.3.2. AC Characteristics

Parameter	Symbol	Pin	Condition	Min.	Typ.	Max.	Unit
Power supply rise time (Note 7)	PSUP	VDD VID	Period of time that VDD (VID) changes from 0.2V to Vdd (Vid). (Note 8)			50	ms
POR completion time (Note 7)	PORT		Period of time after PSUP to Power-down mode (Note 8)			100	μ s
Power supply turn off voltage	SDV	VDD VID	Turn off voltage to enable POR to restart (Note 8)			0.2	V
Power supply turn on interval (Note 7)	PSINT	VDD VID	Period of time that voltage lower than SDV needed to be kept to enable POR to restart (Note 8)	100			μ s
Wait time before mode setting	Twat			100			μ s

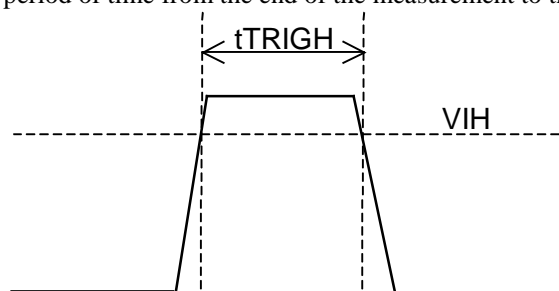
(Note 7) Reference value for design

(Note 8) When POR circuit detects the rise of VDD/VID voltage, it resets internal circuits and initializes the registers. After reset, AK8963 transits to Power-down mode.

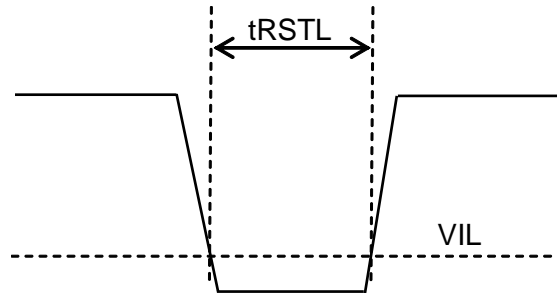


Parameter	Symbol	Pin	Condition	Min.	Typ.	Max.	Unit
Trigger input effective pulse width	tTRIGH	TRG		200			ns
Trigger input effective frequency (Note 9)	tTRIGf	TRG				100	Hz

(Note 9) The value when the period of time from the end of the measurement to the next trigger input is 1.3ms.



Parameter	Symbol	Pin	Condition	Min.	Typ.	Max.	Unit
Reset input effective pulse width ("L")	tRSTL	RSTN		5			μs



5.3.3. Analog Circuit Characteristics

Parameter	Symbol	Condition	Min.	Typ.	Max.	Unit
Measurement data output bit	DBIT	BIT = "0"		14		bit
		BIT = "1"		16		
Time for measurement	TSM	Single measurement mode		7.2	9	ms
Magnetic sensor sensitivity	BSE	Tc=25°C (Note 10)				$\mu\text{T/LSB}$
		BIT = "0"	0.57	0.6	0.63	
		BIT = "1"	0.1425	0.15	0.1575	
Magnetic sensor measurement range (Note 11)	BRG	Tc=25°C (Note 10)	± 4912			μT
Magnetic sensor initial offset (Note 12)		Tc=25°C BIT = "0"	-500		500	LSB

(Note 10) Value after sensitivity is adjusted using sensitivity fine adjustment data stored in Fuse ROM. (Refer to 8.3.11 for how to adjust.)

(Note 11) Reference value for design

(Note 12) Value of measurement data register on shipment without applying magnetic field on purpose.

5.3.4. 4-wire SPI

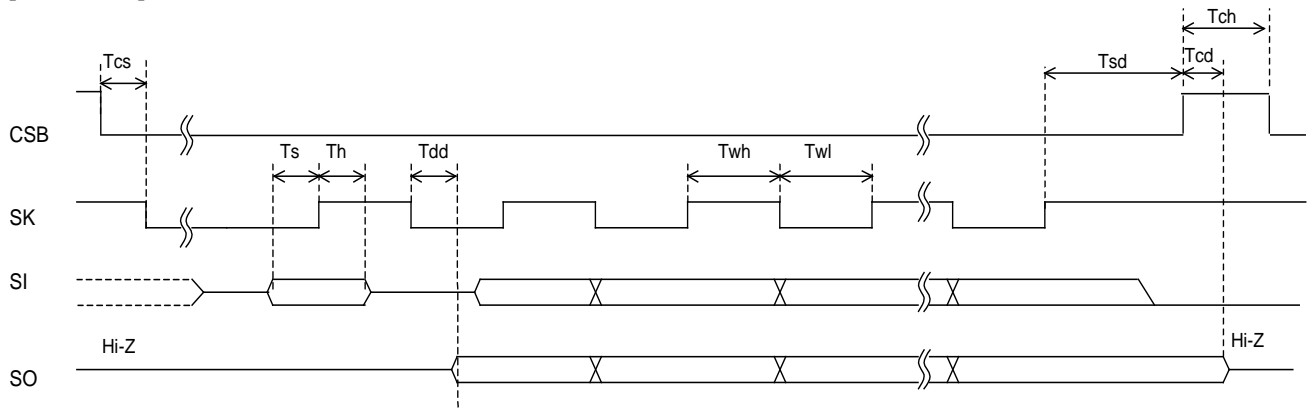
4-wire SPI is compliant with mode 3

Parameter	Symbol	Condition	Min.	Typ.	Max.	Unit
CSB setup time	Tcs		50			ns
Data setup time	Ts		50			ns
Data hold time	Th		50			ns
SK high time	Twh	Vid≥2.5V	100			ns
		2.5V>Vid≥1.65V	150			ns
SK low time	Twl	Vid≥2.5V	100			ns
		2.5V>Vid≥1.65V	150			ns
SK setup time	Tsd		50			ns
SK to SO delay time (Note 13)	Tdd				50	ns
CSB to SO delay time (Note 13)	Tcd				50	ns
SK rise time (Note 14)	Tr				100	ns
SK fall time (Note 14)	Tf				100	ns
CSB high time	Tch		150			ns

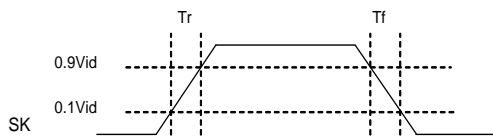
(Note 13) SO load capacitance: 20pF

(Note 14) Reference value for design.

[4-wire SPI]



[Rise time and fall time]



5.3.5. I²C Bus Interface

CSB pin = "H"

I²C bus interface is compliant with Standard mode and Fast mode. Standard/Fast mode is selected automatically by fSCL.

(1) Standard mode

$$fSCL \leq 100\text{kHz}$$

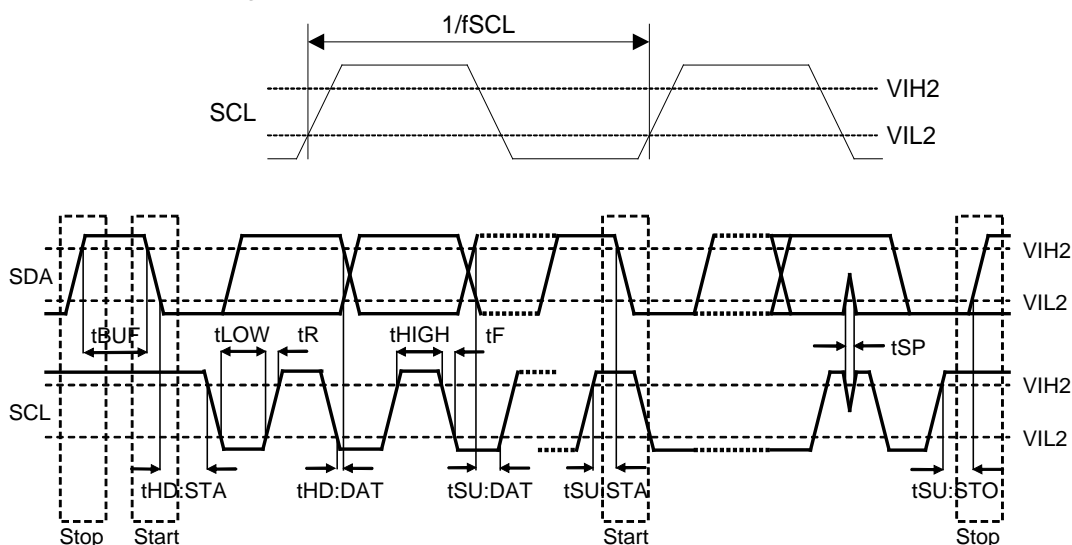
Symbol	Parameter	Min.	Typ.	Max.	Unit
fSCL	SCL clock frequency			100	kHz
tHIGH	SCL clock "High" time	4.0			μs
tLOW	SCL clock "Low" time	4.7			μs
tR	SDA and SCL rise time			1.0	μs
tF	SDA and SCL fall time			0.3	μs
tHD:STA	Start Condition hold time	4.0			μs
tSU:STA	Start Condition setup time	4.7			μs
tHD:DAT	SDA hold time (vs. SCL falling edge)	0			μs
tSU:DAT	SDA setup time (vs. SCL rising edge)	250			ns
tSU:STO	Stop Condition setup time	4.0			μs
tBUF	Bus free time	4.7			μs

(2) Fast mode

$$100\text{kHz} < fSCL \leq 400\text{kHz}$$

Symbol	Parameter	Min.	Typ.	Max.	Unit
fSCL	SCL clock frequency			400	kHz
tHIGH	SCL clock "High" time	0.6			μs
tLOW	SCL clock "Low" time	1.3			μs
tR	SDA and SCL rise time			0.3	μs
tF	SDA and SCL fall time			0.3	μs
tHD:STA	Start Condition hold time	0.6			μs
tSU:STA	Start Condition setup time	0.6			μs
tHD:DAT	SDA hold time (vs. SCL falling edge)	0			μs
tSU:DAT	SDA setup time (vs. SCL rising edge)	100			ns
tSU:STO	Stop Condition setup time	0.6			μs
tBUF	Bus free time	1.3			μs
tSP	Noise suppression pulse width			50	ns

[I²C bus interface timing]



6. Functional Explanation

6.1. Power States

When VDD and VID are turned on from Vdd=OFF (0V) and Vid=OFF (0V), all registers in AK8963 are initialized by POR circuit and AK8963 transits to Power-down mode.

All the states in the table below can be set, although the transition from state 2 to state 3 and the transition from state 3 to state 2 are prohibited.

Table 6.1

State	VDD	VID	Power state
1	OFF (0V)	OFF (0V)	OFF (0V). It doesn't affect external interface. Digital input pins other than SCL and SDA pin should be fixed to "L"(0V).
2	OFF (0V)	1.65V to 3.6V	OFF (0V). It doesn't affect external interface.
3	2.4V to 3.6V	OFF (0V)	OFF (0V). It doesn't affect external interface. Digital input pins other than SCL and SDA pin should be fixed to "L" (0V).
4	2.4V to 3.6V	1.65V to Vdd	ON

6.2. Reset Functions

When the power state is ON, always keep $Vid \leq Vdd$.

Power-on reset (POR) works until Vdd reaches to the operation effective voltage (about 1.4V: reference value for design) on power-on sequence. After POR is deactivated, all registers are initialized and transits to power down mode.

When Vdd=2.4 ~ 3.6V, POR circuit and VID monitor circuit are active. When Vid=0V, AK8963 is in reset status and it consumes the current of reset state (IDD4).

AK8963 has four types of reset;

- (1) Power on reset (POR)
When Vdd rise is detected, POR circuit operates, and AK8963 is reset.
- (2) VID monitor
When Vid is turned OFF (0V), AK8963 is reset.
- (3) Reset pin (RSTN)
AK8963 is reset by Reset pin. When Reset pin is not used, connect to VID.
- (4) Soft reset
AK8963 is reset by setting SRST bit.

When AK8963 is reset, all registers are initialized and AK8963 transits to Power-down mode.

6.3. Operation Modes

AK8963 has following seven operation modes:

- (1) Power-down mode
- (2) Single measurement mode
- (3) Continuous measurement mode 1
- (4) Continuous measurement mode 2
- (5) External trigger measurement mode
- (6) Self-test mode
- (7) Fuse ROM access mode

By setting CNTL1 register MODE[3:0] bits, the operation set for each mode is started. A transition from one mode to another is shown below.

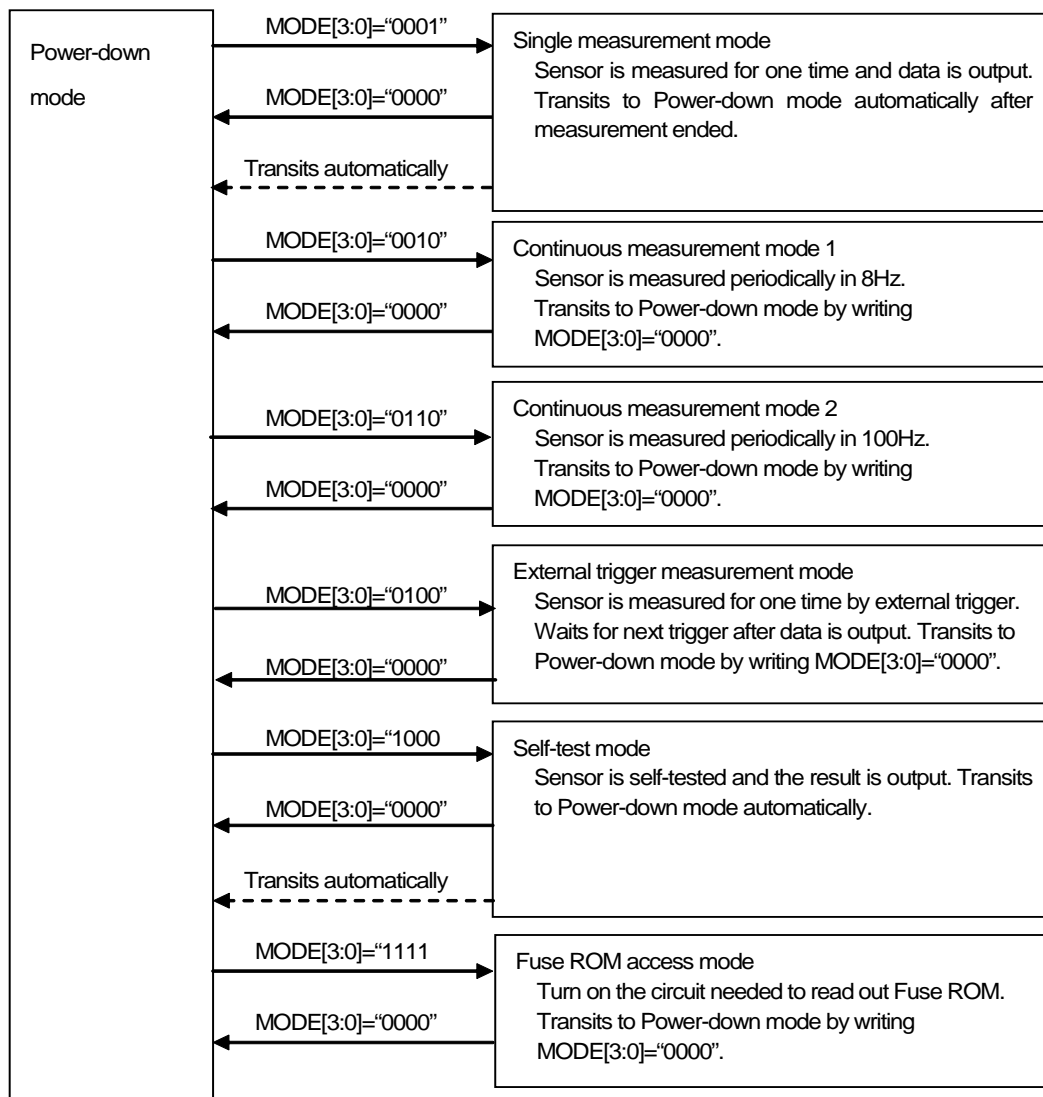


Figure 6.1 Operation modes

When power is turned ON, AK8963 is in power-down mode. When a specified value is set to MODE[3:0], AK8963 transits to the specified mode and starts operation. When user wants to change operation mode, transit to power-down mode first and then transit to other modes. After power-down mode is set, at least 100 μ s (T_{wat}) is needed before setting another mode.

6.4. Description of Each Operation Mode

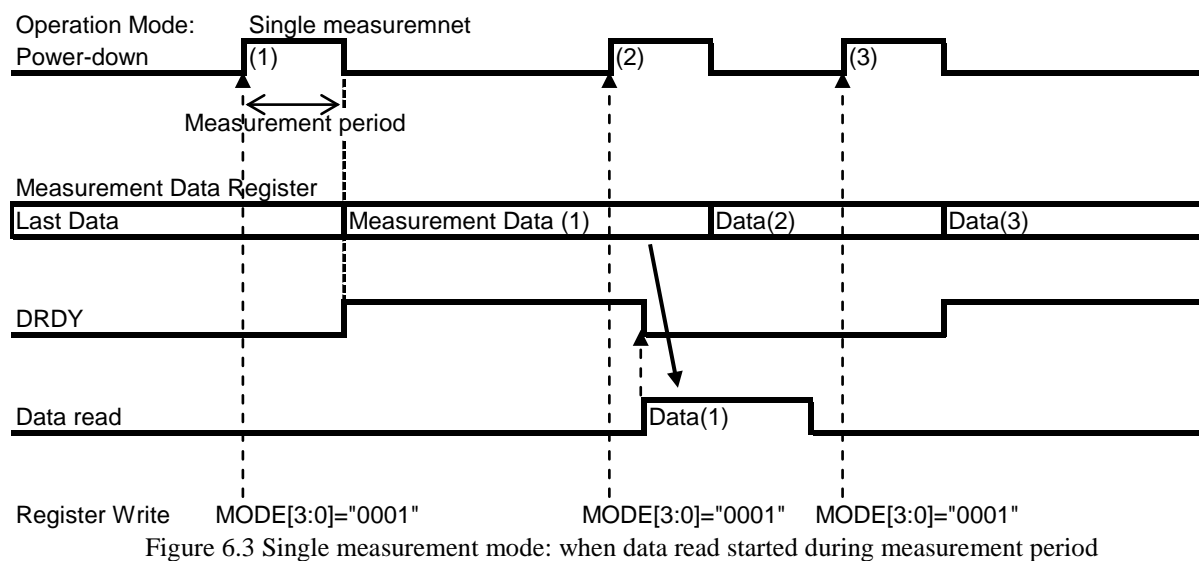
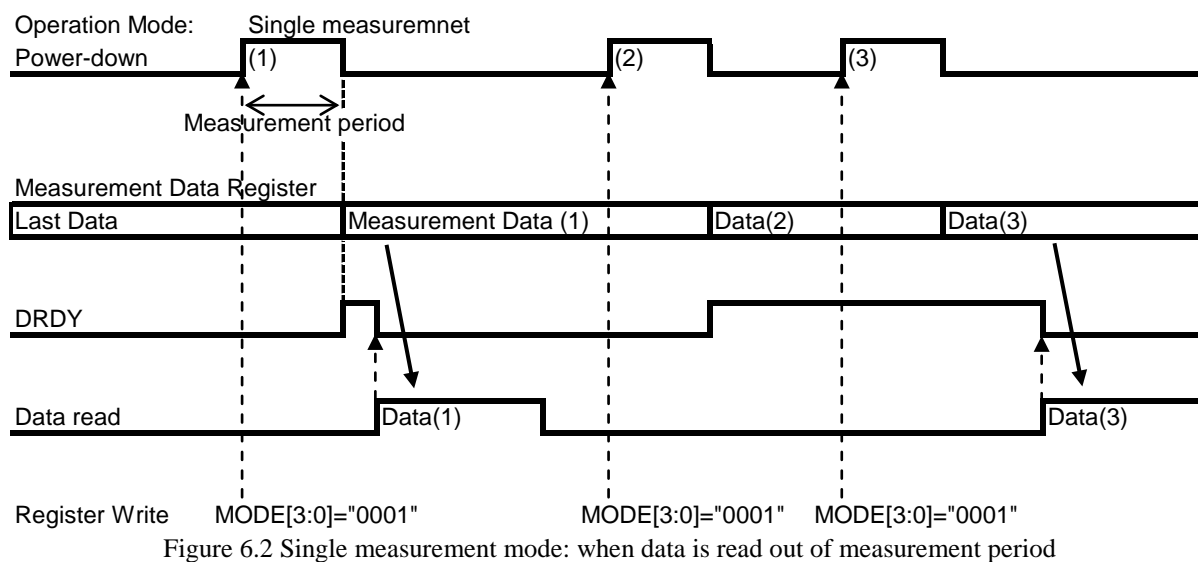
6.4.1. Power-down Mode

Power to almost all internal circuits is turned off. All registers are accessible in power-down mode. However, fuse ROM data cannot be read correctly. Data stored in read/write registers are remained. They can be reset by soft reset.

6.4.2. Single Measurement Mode

When single measurement mode (MODE[3:0]="0001") is set, sensor is measured, and after sensor measurement and signal processing is finished, measurement data is stored to measurement data registers (HXL to HZH), then AK8963 transits to power-down mode automatically. On transition to power-down mode, MODE[3:0] turns to "0000". At the same time, DRDY bit in ST1 register turns to "1". This is called "Data Ready". When any of measurement data register (HXL to HZH) or ST2 register is read, DRDY bit turns to "0". It remains "1" on transition from Power-down mode to another mode. DRDY pin is in the same state as DRDY bit. (Refer to Figure 6.2.)

When sensor is measuring (Measurement period), measurement data registers (HXL ~ HZH) keep the previous data. Therefore, it is possible to read out data even in measurement period. Data read out in measurement period are previous data. (Refer to Figure 6.3.)



6.4.3. Continuous Measurement Mode 1 and 2

When continuous measurement mode 1 (MODE[3:0]="0010") or 2 (MODE[3:0]="0110") is set, sensor is measured periodically at 8Hz or 100Hz respectively. When sensor measurement and signal processing is finished, measurement data is stored to measurement data registers (HXL ~ HZH) and all circuits except for the minimum circuit required for counting cycle length are turned off (PD). When the next measurement timing comes, AK8963 wakes up automatically from PD and starts measurement again.

Continuous measurement mode ends when power-down mode (MODE[3:0]="0000") is set. It repeats measurement until power-down mode is set.

When continuous measurement mode 1 (MODE[3:0]="0010") or 2 (MODE[3:0]="0110") is set again while AK8963 is already in continuous measurement mode, a new measurement starts. ST1, ST2 and measurement data registers (HXL ~ HZH) will not be initialized by this.

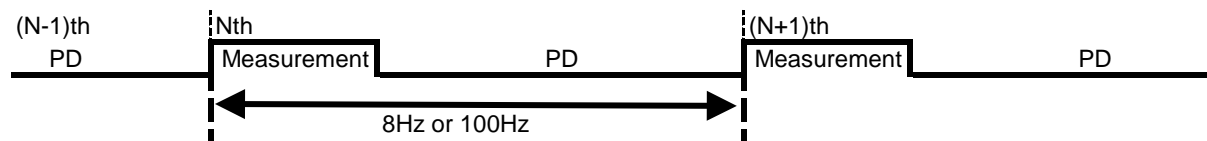


Figure 6.4 Continuous measurement mode

6.4.3.1. Data Ready

When measurement data is stored and ready to be read, DRDY bit in ST1 register turns to "1". This is called "Data Ready". DRDY pin is in the same state as DRDY bit. When measurement is performed correctly, AK8963 becomes Data Ready on transition to PD after measurement.

6.4.3.2. Normal Read Sequence

(1) Check Data Ready or not by any of the following method.

- Polling DRDY bit of ST1 register
- Monitor DRDY pin

When Data Ready, proceed to the next step.

(2) Read ST1 register (not needed when polling ST1)

DRDY: Shows Data Ready or not. Not when "0", Data Ready when "1".

DOR: Shows if any data has been skipped before the current data or not. There are no skipped data when "0", there are skipped data when "1".

(3) Read measurement data

When any of measurement data register (HXL ~ HZH) or ST2 register is read, AK8963 judges that data reading is started. When data reading is started, DRDY bit and DOR bit turns to "0".

(4) Read ST2 register (required)

HOFL: Shows if magnetic sensor is overflowed or not. "0" means not overflowed, "1" means overflowed.

When ST2 register is read, AK8963 judges that data reading is finished. Stored measurement data is protected during data reading and data is not updated. By reading ST2 register, this protection is released. It is required to read ST2 register after data reading.

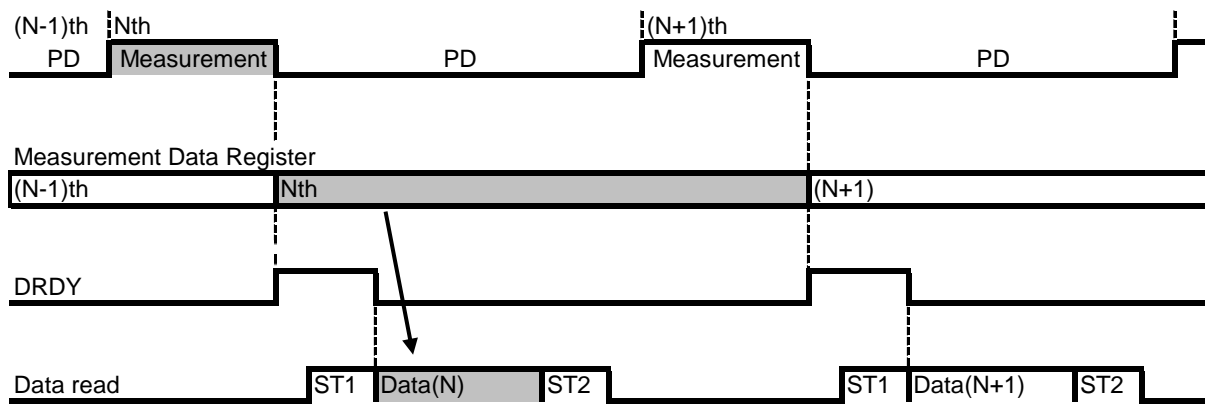


Figure 6.5 Normal read sequence

6.4.3.3. Data Read Start During Measurement

When sensor is measuring (Measurement period), measurement data registers (HXL ~ HZH) keep the previous data. Therefore, it is possible to read out data even in measurement period. If data is started to be read during measurement period, previous data is read.

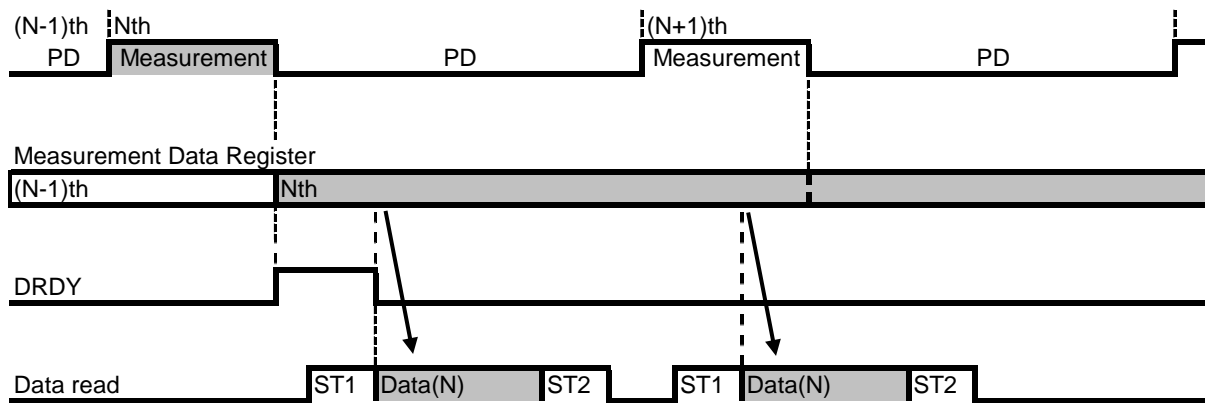


Figure 6.6 Data read start during measurement

6.4.3.4. Data Skip

When Nth data was not read before (N+1)th measurement ends, Data Ready remains until data is read. In this case, a set of measurement data is skipped so that DOR bit turns to “1”. (Refer to Figure 6.7)

When data reading started after Nth measurement ended and did not finish reading before (N+1)th measurement ended, Nth measurement data is protected to keep correct data. In this case, a set of measurement data is skipped and not stored so that DOR bit turns to “1”. (Refer to Figure 6.8)

In both case, DOR bit turns to “0” at the next start of data reading.

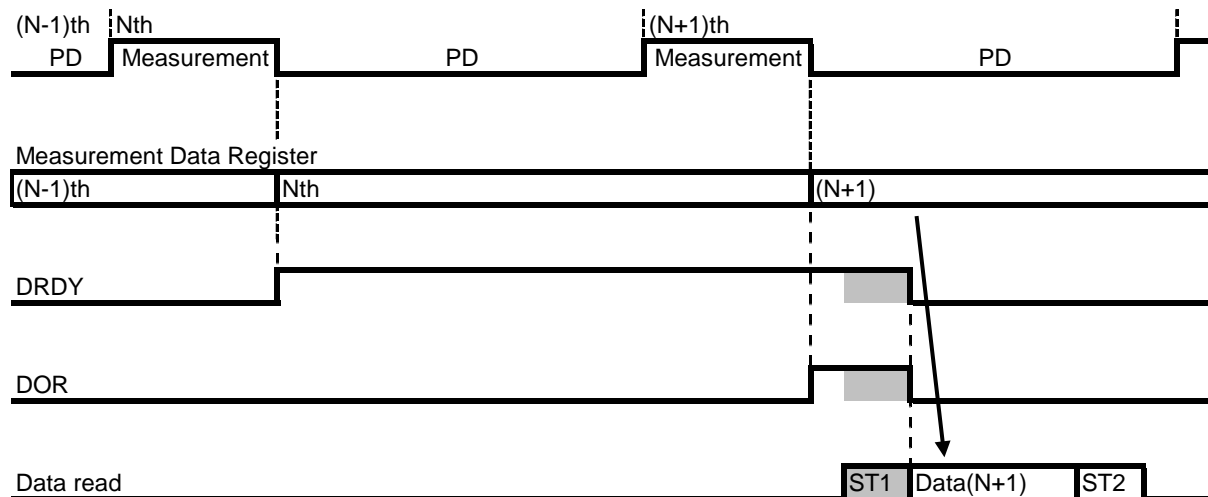


Figure 6.7 Data Skip: When data is not read

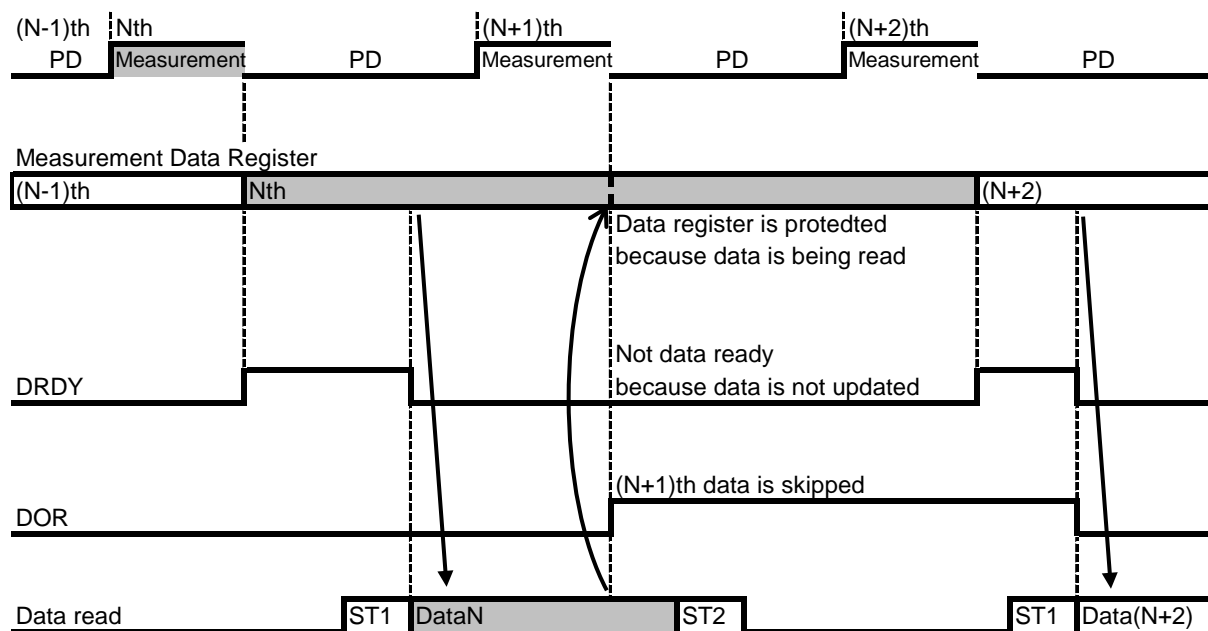


Figure 6.8 Data Skip: When data read has not been finished before the next measurement ends

6.4.3.5. End Operation

Set power-down mode (MODE[3:0]="0000") to end continuous measurement mode.

6.4.3.6. Magnetic Sensor Overflow

AK8963 has the limitation for measurement range that the sum of absolute values of each axis should be smaller than 4912 μ T.

$$|X|+|Y|+|Z| < 4912\mu\text{T}$$

When the magnetic field exceeded this limitation, data stored at measurement data are not correct. This is called Magnetic Sensor Overflow.

When magnetic sensor overflow occurs, HOFL bit turns to "1". When the next measurement starts, it returns to "0".

6.4.4. External Trigger Measurement Mode

When external trigger measurement mode (MODE[3:0]="0100") is set, AK8963 waits for trigger input. When a pulse is input from TRG pin, sensor measurement is started on the rising edge of TRG pin. When sensor measurement and signal processing is finished, measurement data is stored to measurement data registers (HXL to HZH) and all circuits except for the minimum circuit required for trigger input waiting are turned off (PD state). When the next pulse is input, AK8963 wakes up automatically from PD and starts measurement again.

External trigger measurement mode ends when power-down mode (MODE[3:0]="0000") is set. AK8963 keeps waiting for the trigger input until the power-down mode is set.

When external trigger measurement mode (MODE[3:0]="0100") is set again while AK8963 is already in external trigger measurement mode, it starts to wait for the trigger input again. The trigger input is ignored while sensor is measuring.

Data read sequence and functions of read-only registers in external trigger measurement mode is the same as continuous measurement mode.

6.4.5. Self-test Mode

Self-test mode is used to check if the sensor is working normally.

When self-test mode (MODE[3:0]="1000") is set, magnetic field is generated by the internal magnetic source and sensor is measured. Measurement data is stored to measurement data registers (HXL to HZH), then AK8963 transits to power-down mode automatically.

Before setting self-test mode, write "1" to SELF bit of ASTC register. Data read sequence and functions of read-only registers in self-test mode is the same as single measurement mode.

When self-test is end, write "0" to SELF bit then proceed to other operation.

<Self-test Sequence>

- (1) Set Power-down mode. (MODE[3:0]="0000")
- (2) Write "1" to SELF bit of ASTC register (other bits in this register should be kept "0")
- (3) Set Self-test Mode. (MODE[3:0]="1000")
- (4) Check Data Ready or not by any of the following method.
 - Polling DRDY bit of ST1 register
 - Monitor DRDY pin
 When Data Ready, proceed to the next step.
- (5) Read measurement data (HXL to HZH)
- (6) Write "0" to SELF bit of ASTC register
- (7) Set Power-down mode. (MODE[3:0]="0000")

<Self-test Judgement>

When measurement data read by the above sequence is in the range of following table after sensitivity adjustment (refer to 8.3.11), AK8963 is working normally.

14-bit output(BIT="0")

	HX[15:0]	HY[15:0]	HZ[15:0]
Criteria	-50 =< HX =< 50	-50 =< HY =< 50	-800 =< HZ =< -200

16-bit output(BIT="1")

	HX[15:0]	HY[15:0]	HZ[15:0]
Criteria	-200 =< HX =< 200	-200 =< HY =< 200	-3200 =< HZ =< -800

6.4.6. Fuse ROM Access Mode

Fuse ROM access mode is used to read Fuse ROM data. Sensitivity adjustment data for each axis is stored in fuse ROM.

Set Fuse ROM Access mode (MODE[3:0]="1111") before reading Fuse ROM data. When Fuse ROM Access mode is set, circuits required for reading fuse ROM are turned on.

After reading fuse ROM data, set power-down mode (MODE[3:0]="0000") before the transition to another mode.

7. Serial Interface

AK8963 supports I²C bus interface and 4-wire SPI. A selection is made by CSB pin. When used as 3-wire SPI, set SI pin and SO pin wired-OR externally.

CSB pin="L": 4-wire SPI
 CSB pin="H": I²C bus interface

7.1. 4-wire SPI

The 4-wire SPI consists of four digital signal lines: SK, SI, SO, and CSB, and is provided in 16bit protocol. Data consists of Read/Write control bit (R/W), register address (7bits) and control data (8bits).

To read out all axes measurement data (X, Y, Z), an option to read out more than one byte data using automatic increment command is available. (Sequential read operation)

CSB pin is low active. Input data is taken in on the rising edge of SK pin, and output data is changed on the falling edge of SK pin. (SPI MODE3)

Communication starts when CSB pin transits to "L" and stops when CSB pin transits to "H". SK pin must be "H" during CSB pin is in transition. Also, it is prohibited to change SI pin during CSB pin is "H" and SK pin is "H".

7.1.1. Writing Data

Input 16 bits data on SI pin in synchronous with the 16-bit serial clock input on SK pin. Out of 16 bits input data, the first 8 bits specify the R/W control bit (R/W="0" when writing) and register address (7bits), and the latter 8 bits are control data (8bits). When any of addresses listed on Table 8.1 is input, AK8963 recognizes that it is selected and takes in latter 8 bits as setting data.

If the number of clock pulses is less than 16, no data is written. If the number of clock pulses is more than 16, data after the 16th clock pulse on SI pin are ignored.

It is not compliant with serial write operation for multiple addresses.

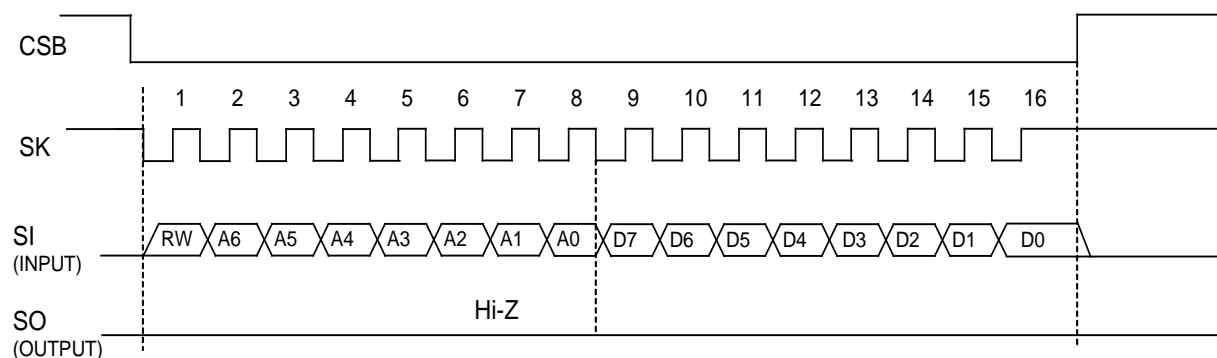


Figure 7.1 4-wire SPI Writing Data

7.1.2. Reading Data

Input the R/W control bit (R/W="1") and 7 bit register address on SI pin in synchronous with the first 8 bits of the 16 bits of a serial clock input on SK pin. Then AK8963 outputs the data held in the specified register with MSB first from SO pin.

When clocks are input continuously after one byte of data is read, the address is incremented and data in the next address is output. Accordingly, after the falling edge of the 15th clock and CSB pin is "L", the data in the next address is output on SO pin. When CSB pin is driven "L" to "H", SO pin is placed in the high-impedance state.

AK8963 has two incrementation lines; 00H ~ 0CH and 10H ~ 12H. For example, data is read as follows: 00H -> 01H ... -> 0BH -> 0CH -> 00H -> 01H ..., or 10H -> 11H -> 12H -> 10H ...

0DH and 0EH are reserved addresses. Do not access to those addresses. When specified address is other than 00H ~ 12H, AK8963 recognizes that it is not selected and keeps SO pin in high-impedance state. Therefore, user can use other addresses for other devices.

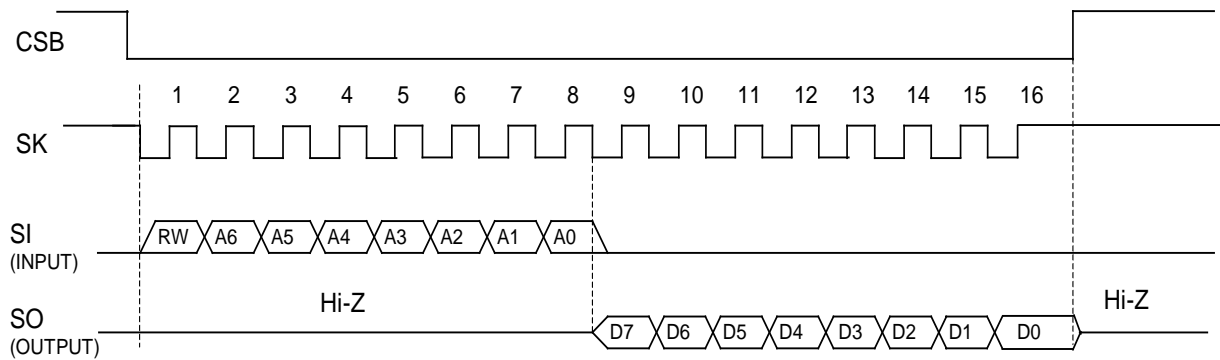


Figure 7.2 4-wire SPI Reading Data

7.2. I²C Bus Interface

The I²C bus interface of AK8963 supports the standard mode (100 kHz max.) and the fast mode (400 kHz max.).

7.2.1. Data Transfer

To access AK8963 on the bus, generate a start condition first.

Next, transmit a one-byte slave address including a device address. At this time, AK8963 compares the slave address with its own address. If these addresses match, AK8963 generates an acknowledgement, and then executes READ or WRITE instruction. At the end of instruction execution, generate a stop condition.

7.2.1.1. Change of Data

A change of data on the SDA line must be made during "Low" period of the clock on the SCL line. When the clock signal on the SCL line is "High", the state of the SDA line must be stable. (Data on the SDA line can be changed only when the clock signal on the SCL line is "Low".)

During the SCL line is "High", the state of data on the SDA line is changed only when a start condition or a stop condition is generated.

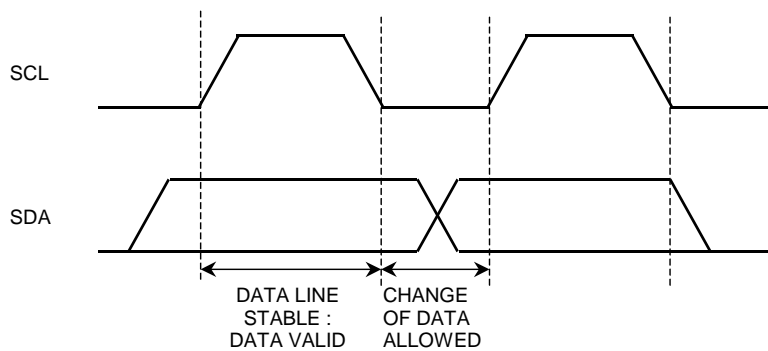


Figure 7.3 Data Change

7.2.1.2. Start/Stop Condition

If the SDA line is driven to "Low" from "High" when the SCL line is "High", a start condition is generated. Every instruction starts with a start condition.

If the SDA line is driven to "High" from "Low" when the SCL line is "High", a stop condition is generated. Every instruction stops with a stop condition.

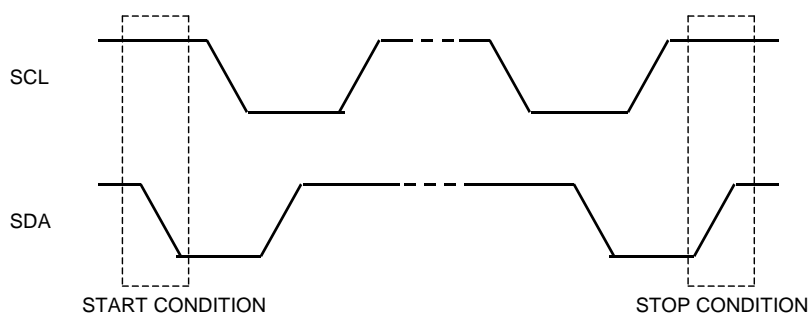


Figure 7.4 Start and Stop Conditions

7.2.1.3. Acknowledge

The IC that is transmitting data releases the SDA line (in the "High" state) after sending 1-byte data.

The IC that receives the data drives the SDA line to "Low" on the next clock pulse. This operation is referred as acknowledge. With this operation, whether data has been transferred successfully can be checked.

AK8963 generates an acknowledge after reception of a start condition and slave address.

When a WRITE instruction is executed, AK8963 generates an acknowledge after every byte is received.

When a READ instruction is executed, AK8963 generates an acknowledge then transfers the data stored at the specified address. Next, AK8963 releases the SDA line then monitors the SDA line. If a master IC generates an acknowledge instead of a stop condition, AK8963 transmits the 8bit data stored at the next address. If no acknowledge is generated, AK8963 stops data transmission.

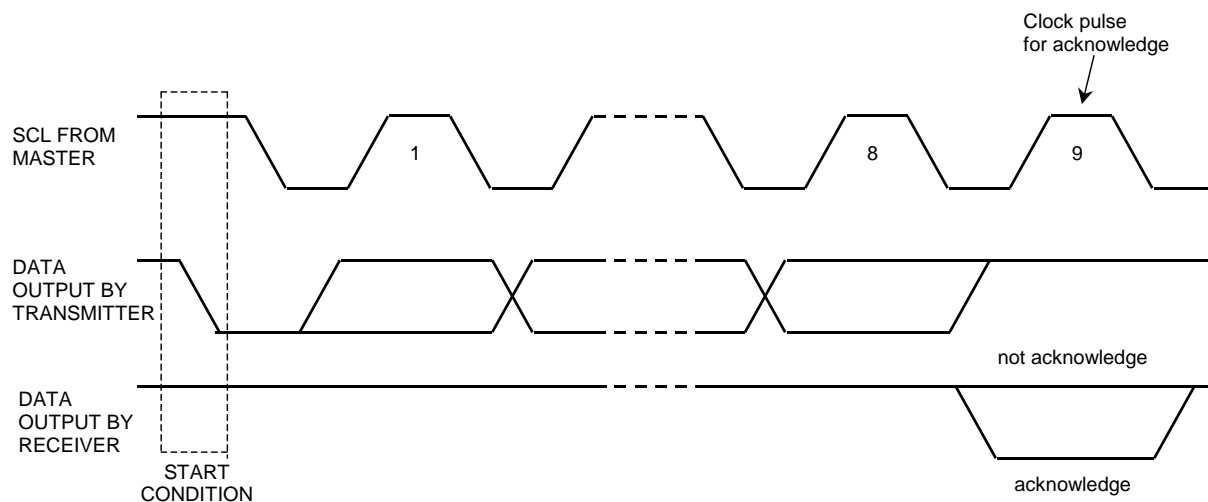


Figure 7.5 Generation of Acknowledge

7.2.1.4. Slave Address

The slave address of AK8963 can be selected from the following list by setting CAD0/1 pin. When CAD pin is fixed to VSS, the corresponding slave address bit is "0". When CAD pin is fixed to VDD, the corresponding slave address bit is "1".

Table 7.1 Slave Address and CAD0/1 pin

CAD1	CAD0	Slave Address
0	0	0CH
0	1	0DH
1	0	0EH
1	1	0FH

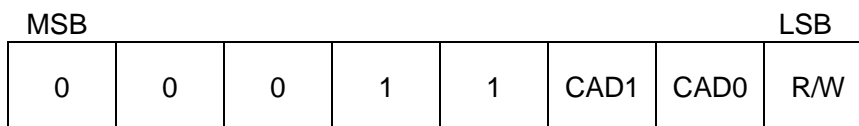


Figure 7.6 Slave Address

The first byte including a slave address is transmitted after a start condition, and an IC to be accessed is selected from the ICs on the bus according to the slave address.

When a slave address is transferred, the IC whose device address matches the transferred slave address generates an acknowledge then executes an instruction. The 8th bit (least significant bit) of the first byte is a R/W bit.

When the R/W bit is set to "1", READ instruction is executed. When the R/W bit is set to "0", WRITE instruction is executed.

7.2.2. WRITE Instruction

When the R/W bit is set to "0", AK8963 performs write operation.

In write operation, AK8963 generates an acknowledge after receiving a start condition and the first byte (slave address) then receives the second byte. The second byte is used to specify the address of an internal control register and is based on the MSB-first configuration.

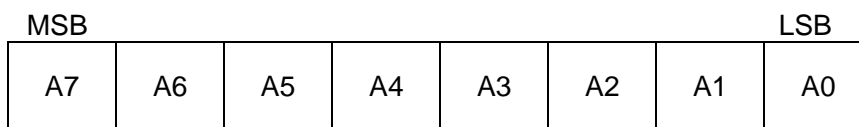


Figure 7.7 Register Address

After receiving the second byte (register address), AK8963 generates an acknowledge then receives the third byte.

The third and the following bytes represent control data. Control data consists of 8 bits and is based on the MSB-first configuration. AK8963 generates an acknowledge after every byte is received. Data transfer always stops with a stop condition generated by the master.

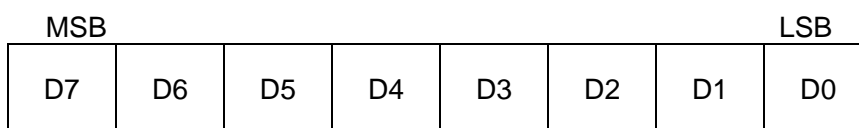


Figure 7.8 Control Data

AK8963 can write multiple bytes of data at a time.

After reception of the third byte (control data), AK8963 generates an acknowledge then receives the next data. If additional data is received instead of a stop condition after receiving one byte of data, the address counter inside the LSI chip is automatically incremented and the data is written at the next address.

The address is incremented from 00H to 0CH or from 10H to 12H. When the address is in 00H~0CH, the address goes back to 00H after 0CH. When the address is in 10H~12H, the address goes back to 10H after 12H. Actual data is written only to Read/Write registers (refer to 8.2).

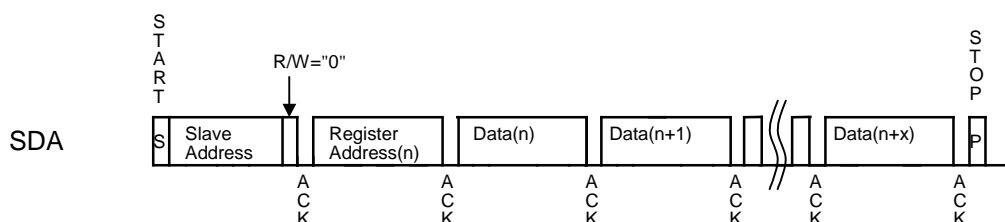


Figure 7.9 WRITE Instruction

7.2.3. READ Instruction

When the R/W bit is set to "1", AK8963 performs read operation.

If a master IC generates an acknowledge instead of a stop condition after AK8963 transfers the data at a specified address, the data at the next address can be read.

Address can be 00H~0CH and/or 10H~12H. When address is counted up to 0CH in 00H~0CH, the next address returns to 00H. When address is counted up to 12H in 10H~12H, the next address returns to 10H. AK8963 supports one byte read and multiple byte read.

7.2.3.1. One Byte READ

AK8963 has an address counter inside the LSI chip. In current address read operation, the data at an address specified by this counter is read.

The internal address counter holds the next address of the most recently accessed address.

For example, if the address most recently accessed (for READ instruction) is address "n", and a current address read operation is attempted, the data at address "n+1" is read.

In one byte read operation, AK8963 generates an acknowledge after receiving a slave address for the READ instruction (R/W bit="1"). Next, AK8963 transfers the data specified by the internal address counter starting with the next clock pulse, then increments the internal counter by one. If the master IC generates a stop condition instead of an acknowledge after AK8963 transmits one byte of data, the read operation stops.

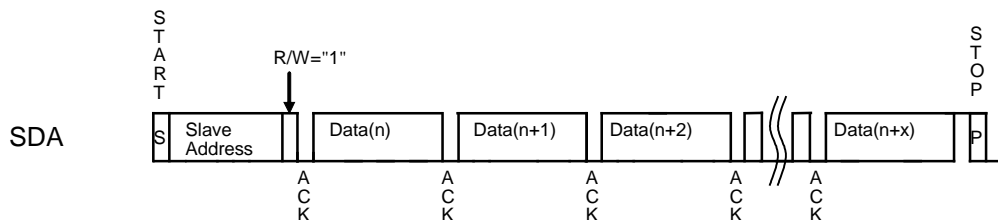


Figure 7.10 One Byte READ

7.2.3.2. Multiple Byte READ

By multiple byte read operation, data at an arbitrary address can be read.

The multiple byte read operation requires to execute WRITE instruction as dummy before a slave address for the READ instruction (R/W bit="1") is transmitted. In random read operation, a start condition is first generated then a slave address for the WRITE instruction (R/W bit="0") and a read address are transmitted sequentially.

After AK8963 generates an acknowledge in response to this address transmission, a start condition and a slave address for the READ instruction (R/W bit="1") are generated again. AK8963 generates an acknowledge in response to this slave address transmission. Next, AK8963 transfers the data at the specified address then increments the internal address counter by one. If the master IC generates a stop condition instead of an acknowledge after data is transferred, the read operation stops.

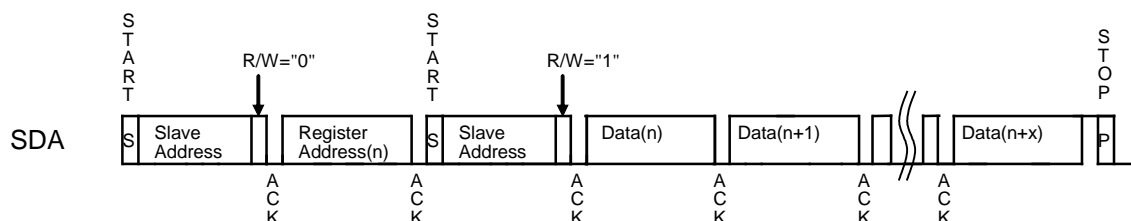


Figure 7.11 Multiple Byte READ

8. Registers

8.1. Description of Registers

AK8963 has registers of 20 addresses as indicated in Table 8.1. Every address consists of 8 bits data. Data is transferred to or received from the external CPU via the serial interface described previously.

Table 8.1 Register Table

Name	Address	READ/ WRITE	Description	Bit width	Explanation
WIA	00H	READ	Device ID	8	
INFO	01H	READ	Information	8	
ST1	02H	READ	Status 1	8	Data status
HXL	03H	READ	Measurement data	8	X-axis data
HXH	04H			8	
HYL	05H			8	Y-axis data
HYH	06H			8	
HZL	07H			8	Z-axis data
HZH	08H			8	
ST2	09H			READ	Status 2
CNTL1	0AH	READ/ WRITE	Control 1	8	Function Control
CNTL2	0BH		Control 2	8	
ASTC	0CH	READ/ WRITE	Self-test	8	
TS1	0DH	READ/ WRITE	Test 1	8	DO NOT ACCESS
TS2	0EH	READ/ WRITE	Test 2	8	DO NOT ACCESS
I2CDIS	0FH	READ/ WRITE	I ² C disable	8	
ASAX	10H	READ	X-axis sensitivity adjustment value	8	Fuse ROM
ASAY	11H	READ	Y-axis sensitivity adjustment value	8	Fuse ROM
ASAZ	12H	READ	Z-axis sensitivity adjustment value	8	Fuse ROM
RSV	13H	READ	Reserved	8	DO NOT ACCESS

Addresses 00H~0CH and 10H~12H are compliant with automatic increment function of serial interface respectively. Values of addresses 10H~12H can be read only in Fuse ROM access mode. In other modes, read data is not correct.

8.2. Register Map

Table 8.2 Register Map

Addr	Register Name	D7	D6	D5	D4	D3	D2	D1	D0
Read-only Register									
00H	WIA	0	1	0	0	1	0	0	0
01H	INFO	INFO7	INFO6	INFO5	INFO4	INFO3	INFO2	INFO1	INFO0
02H	ST1	-	0	0	-	0	0	DOR	DRDY
03H	HXL	HX7	HX6	HX5	HX4	HX3	HX2	HX1	HX0
04H	HXH	HX15	HX14	HX13	HX12	HX11	HX10	HX9	HX8
05H	HYL	HY7	HY6	HY5	HY4	HY3	HY2	HY1	HY0
06H	HYH	HY15	HY14	HY13	HY12	HY11	HY10	HY9	HY8
07H	HZL	HZ7	HZ6	HZ5	HZ4	HZ3	HZ2	HZ1	HZ0
08H	HZH	HZ15	HZ14	HZ13	HZ12	HZ11	HZ10	HZ9	HZ8
09H	ST2	0	0	0	BITM	HOFL	0	0	0
Write/read Register									
0AH	CNTL1	0	0	0	BIT	MODE3	MODE2	MODE1	MODE0
0BH	CNTL2	0	0	0	0	0	0	0	SRST
0CH	ASTC	-	SELF	-	-	-	-	-	-
0DH	TS1	-	-	-	-	-	-	-	-
0EH	TS2	-	-	-	-	-	-	-	-
0FH	I2CDIS	I2CDIS7	I2CDIS6	I2CDIS5	I2CDIS4	I2CDIS3	I2CDIS2	I2CDIS1	I2CDIS0
Read-only Register									
10H	ASAX	COEFX7	COEFX6	COEFX5	COEFX4	COEFX3	COEFX2	COEFX1	COEFX0
11H	ASAY	COEFY7	COEFY6	COEFY5	COEFY4	COEFY3	COEFY2	COEFY1	COEFY0
12H	ASAZ	COEFZ7	COEFZ6	COEFZ5	COEFZ4	COEFZ3	COEFZ2	COEFZ1	COEFZ0
13H	RSV	-	-	-	-	-	-	-	-

When VDD is turned ON, POR function works and all registers of AK8963 are initialized regardless of VID status. To write data to or to read data from register, VID must be ON.

TS1 and TS2 are test registers for shipment test. Do not use these registers.

RSV is reserved register. Do not use this register.

8.3. Detailed Description of Registers

8.3.1. WIA: Device ID

Addr	Register name	D7	D6	D5	D4	D3	D2	D1	D0
Read-only register									
00H	WIA	0	1	0	0	1	0	0	0

Device ID of AKM. It is described in one byte and fixed value.

48H: fixed

8.3.2. INFO: Information

Addr	Register name	D7	D6	D5	D4	D3	D2	D1	D0
Read-only register									
01H	INFO	INFO7	INFO6	INFO5	INFO4	INFO3	INFO2	INFO1	INFO0

INFO[7:0]: Device information for AKM.

8.3.3. ST1: Status 1

Addr	Register name	D7	D6	D5	D4	D3	D2	D1	D0
Read-only register									
02H	ST1	-	0	0	-	0	0	DOR	DRDY
	Reset	0	0	0	0	0	0	0	0

DRDY: Data Ready

"0": Normal

"1": Data is ready

DRDY bit turns to "1" when data is ready in single measurement mode, continuous measurement mode 1, 2, external trigger measurement mode or self-test mode. It returns to "0" when any one of ST2 register or measurement data register (HXL~HZH) is read.

DOR: Data Overrun

"0": Normal

"1": Data overrun

DOR bit turns to "1" when data has been skipped in continuous measurement mode or external trigger measurement mode. It returns to "0" when any one of ST2 register or measurement data register (HXL~HZH) is read.

8.3.4. HXL to HZH: Measurement Data

Addr	Register name	D7	D6	D5	D4	D3	D2	D1	D0
Read-only register									
03H	HXL	HX7	HX6	HX5	HX4	HX3	HX2	HX1	HX0
04H	HXH	HX15	HX14	HX13	HX12	HX11	HX10	HX9	HX8
05H	HYL	HY7	HY6	HY5	HY4	HY3	HY2	HY1	HY0
06H	HYH	HY15	HY14	HY13	HY12	HY11	HY10	HY9	HY8
07H	HZL	HZ7	HZ6	HZ5	HZ4	HZ3	HZ2	HZ1	HZ0
08H	HZH	HZ15	HZ14	HZ13	HZ12	HZ11	HZ10	HZ9	HZ8
Reset		0	0	0	0	0	0	0	0

Measurement data of magnetic sensor X-axis/Y-axis/Z-axis

HXL[7:0]: X-axis measurement data lower 8bit

HXH[15:8]: X-axis measurement data higher 8bit

HYL[7:0]: Y-axis measurement data lower 8bit

HYH[15:8]: Y-axis measurement data higher 8bit

HZL[7:0]: Z-axis measurement data lower 8bit

HZH[15:8]: Z-axis measurement data higher 8bit

Measurement data is stored in two's complement and Little Endian format. Measurement range of each axis is -8190 ~ +8190 in decimal in 14-bit output, and -32760 ~ 32760 in 16-bit output.

Table 8.3 Measurement data format

Measurement data (each axis) [15:0]			Magnetic flux density [μ T]
Two's complement	Hex	Decimal	
14-bit output			
0001 1111 1111 1110	1FFE	8190	4912(max.)
0000 0000 0000 0001	0001	1	0.6
0000 0000 0000 0000	0000	0	0
1111 1111 1111 1111	FFFF	-1	-0.6
1110 0000 0000 0010	E002	-8190	-4912(min.)
16-bit output			
0111 1111 1111 1000	7FF8	32760	4912(max.)
0000 0000 0000 0001	0001	1	0.15
0000 0000 0000 0000	0000	0	0
1111 1111 1111 1111	FFFF	-1	-0.15
1000 0000 0000 1000	8008	-32760	-4912(min.)

8.3.5. ST2: Status 2

Addr	Register name	D7	D6	D5	D4	D3	D2	D1	D0
Read-only register									
09H	ST2	0	0	0	BITM	HOFL	0	0	0
	Reset	0	0	0	0	0	0	0	0

HOFL: Magnetic sensor overflow

"0": Normal

"1": Magnetic sensor overflow occurred

In single measurement mode, continuous measurement mode, external trigger measurement mode and self-test mode, magnetic sensor may overflow even though measurement data register is not saturated.

In this case, measurement data is not correct and HOFL bit turns to "1". When next measurement starts, it returns to "0". Refer to 6.4.3.6 for detailed information.

BITM: Output bit setting (mirror)

"0": 14-bit output

"1": 16-bit output

Mirror data of BIT bit of CNTL1 register.

ST2 register has a role as data reading end register, also. When any of measurement data register is read in continuous measurement mode or external trigger measurement mode, it means data reading start and taken as data reading until ST2 register is read. Therefore, when any of measurement data is read, be sure to read ST2 register at the end.

8.3.6. CNTL1: Control1

Addr	Register name	D7	D6	D5	D4	D3	D2	D1	D0
Write/read register									
0AH	CNTL1	0	0	0	BIT	MODE3	MODE2	MODE1	MODE0
	Reset	0	0	0	0	0	0	0	0

MODE[3:0]: Operation mode setting

"0000": Power-down mode

"0001": Single measurement mode

"0010": Continuous measurement mode 1

"0110": Continuous measurement mode 2

"0100": External trigger measurement mode

"1000": Self-test mode

"1111": Fuse ROM access mode

Other code settings are prohibited

BIT: Output bit setting

"0": 14-bit output

"1": 16-bit output

When each mode is set, AK8963 transits to the set mode. Refer to 6.3 for detailed information.

8.3.7. CNTL2: Control2

Addr	Register name	D7	D6	D5	D4	D3	D2	D1	D0
Write/read register									
0BH	CNTL2	0	0	0	0	0	0	0	SRST
Reset		0	0	0	0	0	0	0	0

SRST: Soft reset

"0": Normal

"1": Reset

When "1" is set, all registers are initialized. After reset, SRST bit turns to "0" automatically.

8.3.8. ASTC: Self Test Control

Addr	Register name	D7	D6	D5	D4	D3	D2	D1	D0
Write/read register									
0CH	ASTC	-	SELF	-	-	-	-	-	-
Reset		0	0	0	0	0	0	0	0

SELF: Self test control

"0": Normal

"1": Generate magnetic field for self-test

Do not write "1" to any bit other than SELF bit in ASTC register. If "1" is written to any bit other than SELF bit, normal measurement can not be done.

8.3.9. TS1, TS2: Test 1, 2

Addr	Register name	D7	D6	D5	D4	D3	D2	D1	D0
Write/read register									
0DH	TS1	-	-	-	-	-	-	-	-
0EH	TS2	-	-	-	-	-	-	-	-
Reset		0	0	0	0	0	0	0	0

TS1 and TS2 registers are test registers for shipment test. Do not use these registers.

8.3.10. I2CDIS: I²C Disable

Addr	Register name	D7	D6	D5	D4	D3	D2	D1	D0
Write/read register									
0FH	I2CDIS	I2CDIS7	I2CDIS6	I2CDIS5	I2CDIS4	I2CDIS3	I2CDIS2	I2CDIS1	I2CDIS0
Reset		0	0	0	0	0	0	0	0

This register disables I²C bus interface. I²C bus interface is enabled in default. To disable I²C bus interface, write "00011011" to I2CDIS register. Then I²C bus interface is disabled.

Once I²C bus interface is disabled, it is impossible to write other value to I2CDIS register. To enable I²C bus interface, reset AK8963 or input start condition 8 times continuously.

8.3.11. ASAX, ASAY, ASAZ: Sensitivity Adjustment values

Addr	Register name	D7	D6	D5	D4	D3	D2	D1	D0
Read-only register									
10H	ASAX	COEFX7	COEFX6	COEFX5	COEFX4	COEFX3	COEFX2	COEFX1	COEFX0
11H	ASAY	COEFY7	COEFY6	COEFY5	COEFY4	COEFY3	COEFY2	COEFY1	COEFY0
12H	ASAZ	COEFZ7	COEFZ6	COEFZ5	COEFZ4	COEFZ3	COEFZ2	COEFZ1	COEFZ0
Reset		-	-	-	-	-	-	-	-

Sensitivity adjustment data for each axis is stored to fuse ROM on shipment.

ASAX[7:0]: Magnetic sensor X-axis sensitivity adjustment value

ASAY[7:0]: Magnetic sensor Y-axis sensitivity adjustment value

ASAZ[7:0]: Magnetic sensor Z-axis sensitivity adjustment value

<How to adjust sensitivity>

The sensitivity adjustment is done by the equation below;

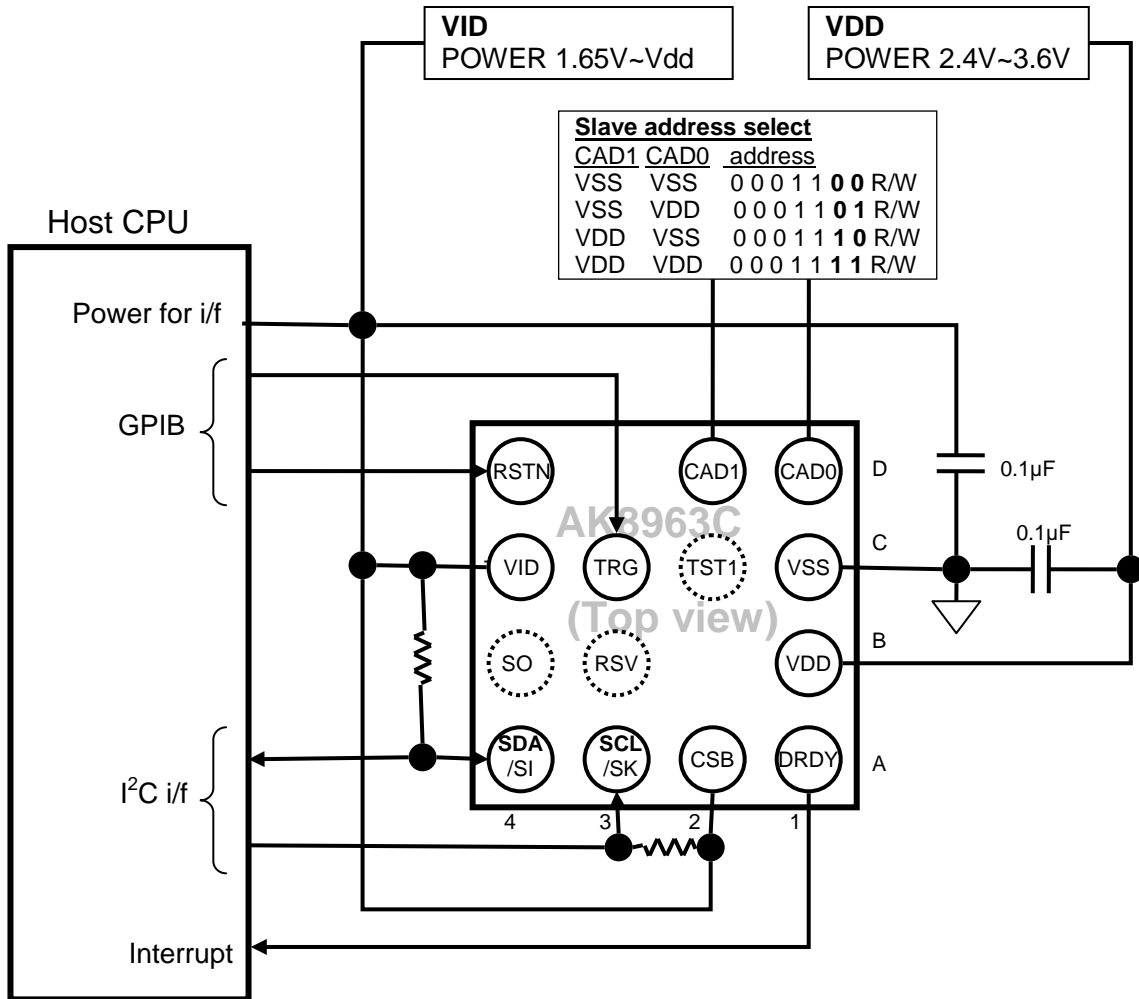
$$H_{adj} = H \times \left(\frac{(ASA - 128) \times 0.5}{128} + 1 \right),$$

where H is the measurement data read out from the measurement data register, ASA is the sensitivity adjustment value, and H_{adj} is the adjusted measurement data.

9. Example of Recommended External Connection

9.1. I²C Bus Interface

<AK8963C>



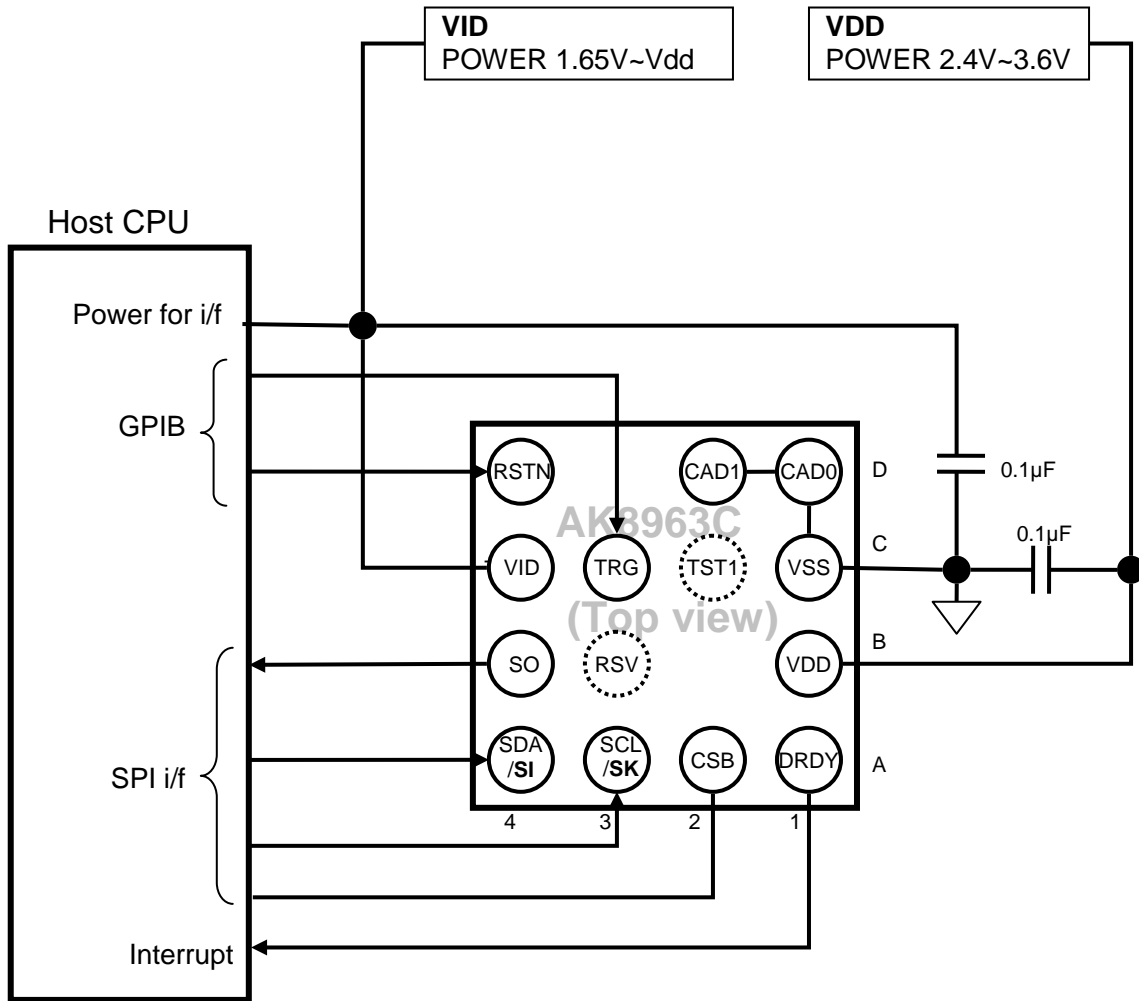
Pins of dot circle should be kept non-connected.

<AK8963N>

Same as AK8963C.

9.2. 4-wire SPI

<AK8963C>



Pins of dot circle should be kept non-connected.

<AK8963N>

Same as AK8963C.

10. Package

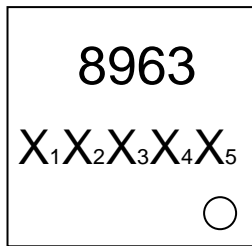
10.1. Marking

<AK8963C>

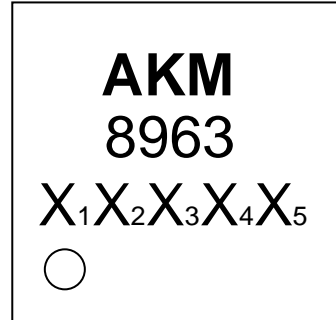
- Product name: 8963
- Date code: X₁X₂X₃X₄X₅
 - X₁ = ID
 - X₂ = Year code
 - X₃X₄ = Week code
 - X₅ = Lot

<AK8963N>

- Company logo: AKM
- Product name: 8963
- Date code: X₁X₂X₃X₄X₅
 - X₁ = ID
 - X₂ = Year code
 - X₃X₄ = Week code
 - X₅ = Lot



<Top view>



<Top view>

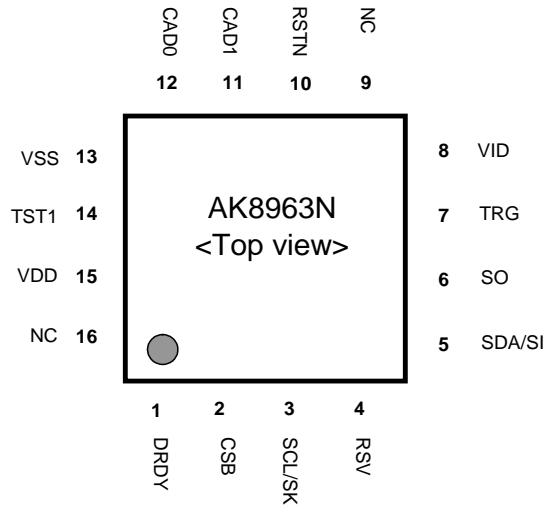
10.2. Pin Assignment

<AK8963C>

	4	3	2	1
D	RSTN	/	CAD1	CAD0
C	VID	TRG	TST1	VSS
B	SO	RSV	/	VDD
A	SDA/SI	SCL/SK	CSB	DRDY

<Top view>

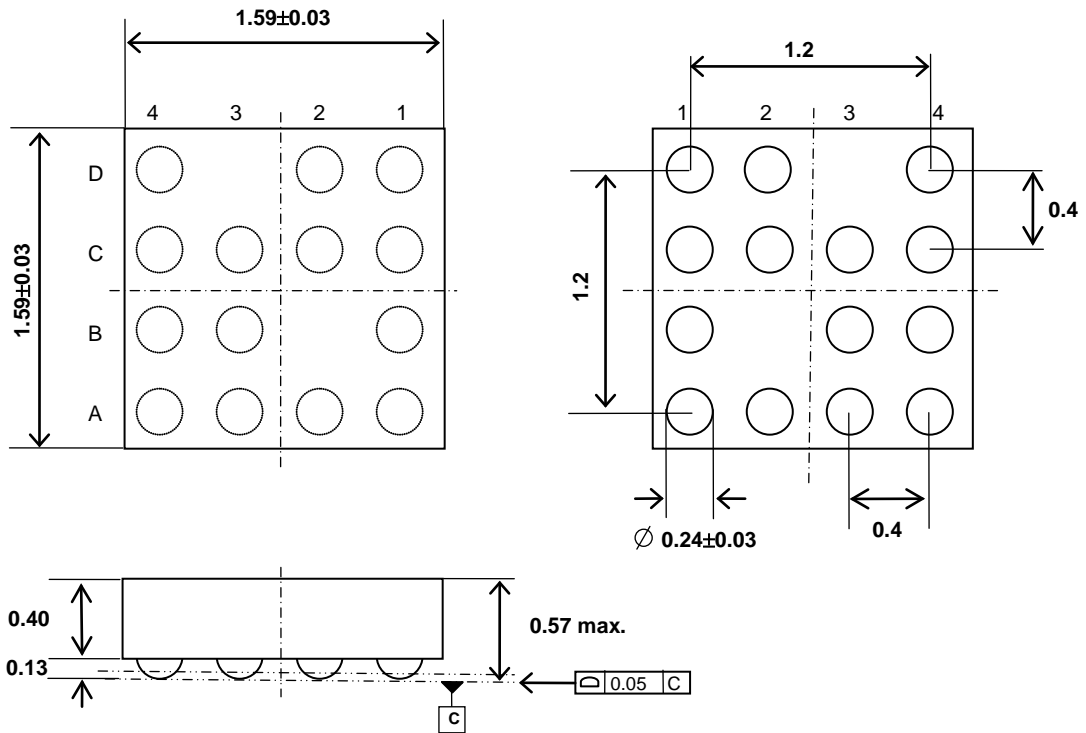
<AK8963N>



10.3. Outline Dimensions

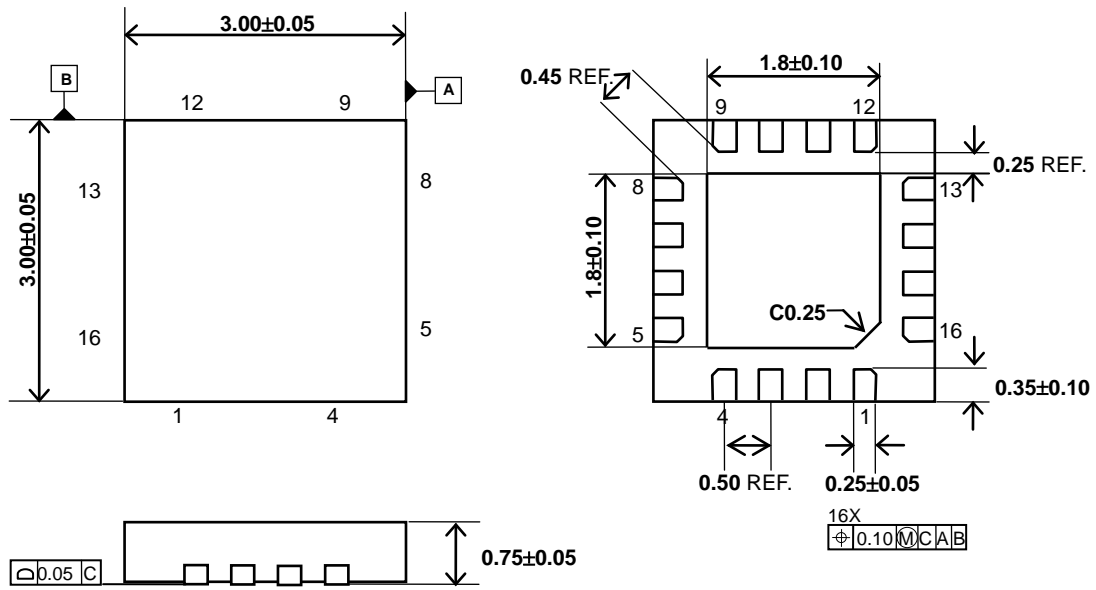
<AK8963C>

[mm]



<AK8963N>

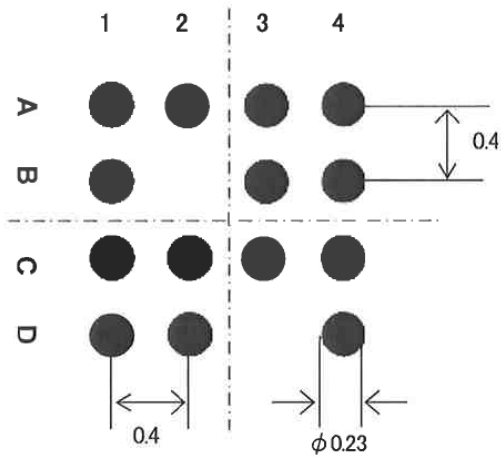
[mm]



10.4. Recommended Foot Print Pattern

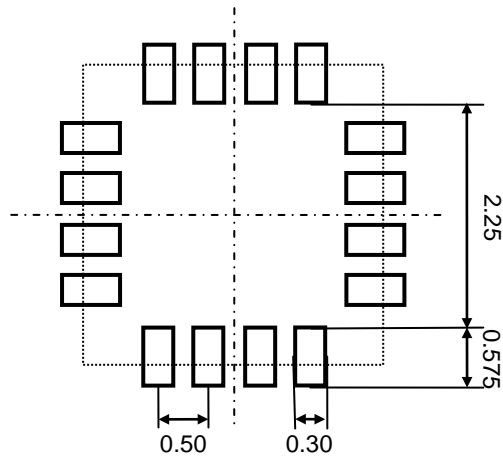
<AK8963C>

[mm]



<AK8963N>

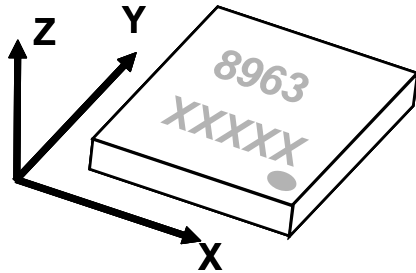
[mm]



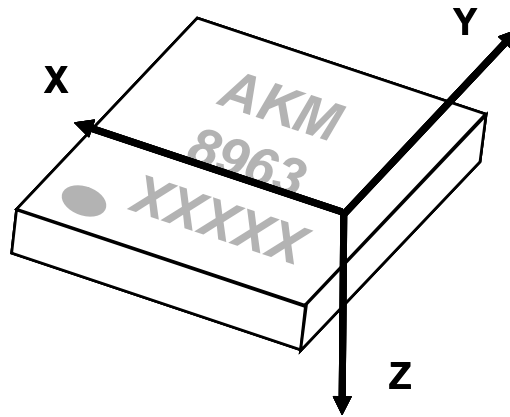
11. Relationship between the Magnetic Field and Output Code

The measurement data increases as the magnetic flux density increases in the arrow directions.

<AK8963C>



<AK8963N>



Important Notice

- These products and their specifications are subject to change without notice.
When you consider any use or application of these products, please make inquiries the sales office of Asahi Kasei Microdevices Corporation (AKM) or authorized distributors as to current status of the products.
- AKM assumes no liability for infringement of any patent, intellectual property, or other rights in the application or use of any information contained herein.
- Any export of these products, or devices or systems containing them, may require an export license or other official approval under the law and regulations of the country of export pertaining to customs and tariffs, currency exchange, or strategic materials.
- AKM products are neither intended nor authorized for use as critical components^{Note1)} in any safety, life support, or other hazard related device or system^{Note2)}, and AKM assumes no responsibility for such use, except for the use approved with the express written consent by Representative Director of AKM. As used here:
Note1) A critical component is one whose failure to function or perform may reasonably be expected to result, whether directly or indirectly, in the loss of the safety or effectiveness of the device or system containing it, and which must therefore meet very high standards of performance and reliability.
Note2) A hazard related device or system is one designed or intended for life support or maintenance of safety or for applications in medicine, aerospace, nuclear energy, or other fields, in which its failure to function or perform may reasonably be expected to result in loss of life or in significant injury or damage to person or property.
- It is the responsibility of the buyer or distributor of AKM products, who distributes, disposes of, or otherwise places the product with a third party, to notify such third party in advance of the above content and conditions, and the buyer or distributor agrees to assume any and all responsibility and liability for and hold AKM harmless from any and all claims arising from the use of said product in the absence of such notification.