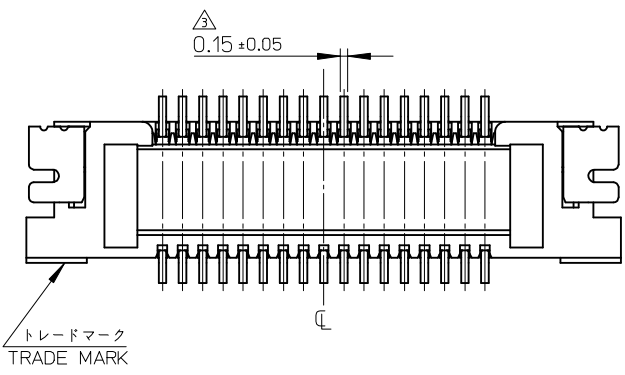
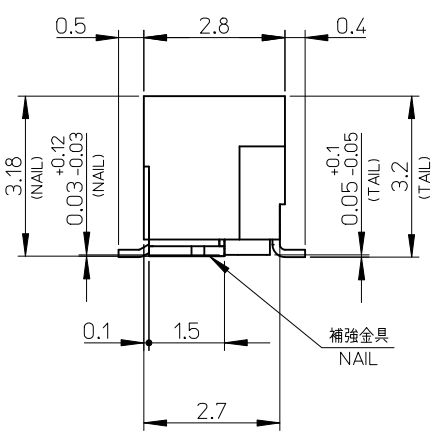
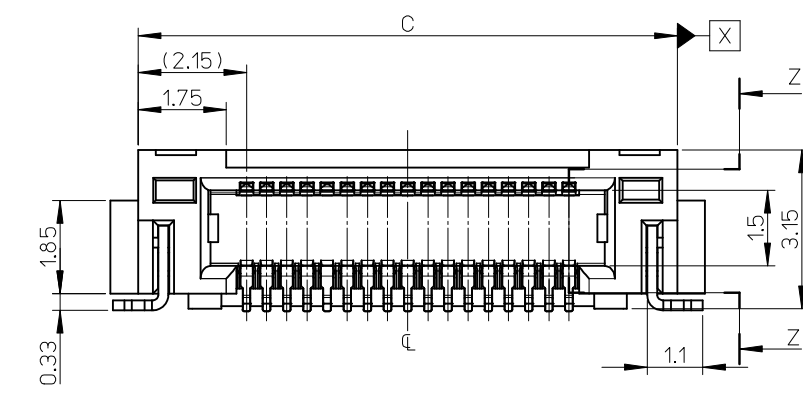
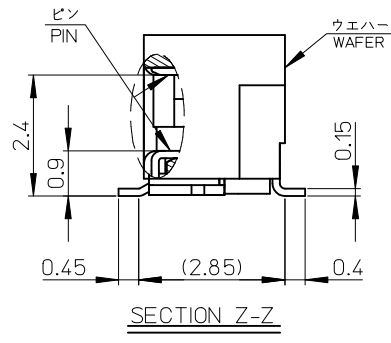
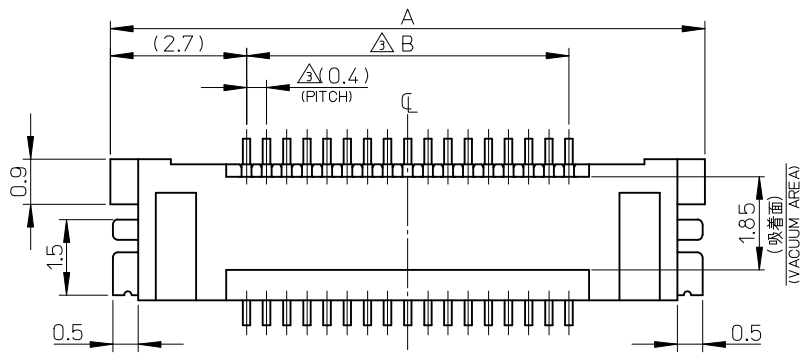


注記 NOTES

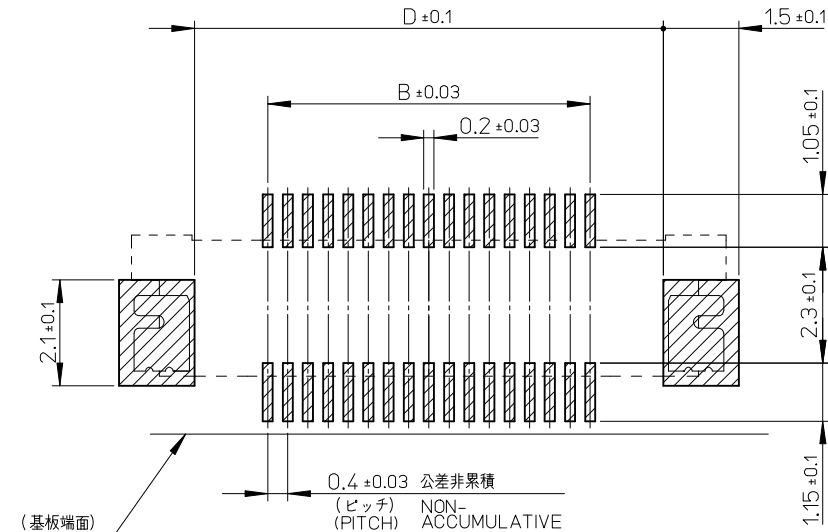
1. 使用材料 MATERIAL
 ウエハー:液晶ポリマー ガラス充填 UL94V-0 黒色
 WAFER:LIQUID CRYSTAL POLYMER, GLASS FILLED,
 UL94V-0, COLOR BLACK
 ピン:リン青銅 (t=0.15)
 PIN:PHOSPHOR BRONZE(t=0.15)
 補強金具:リン青銅 (t=0.2)
 FITTING NAIL:PHOSPHOR BRONZE(t=0.2)
2. メッキ仕様 PLATING
 ピン PIN
 金メッキ
 (コンタクト部とテール部)
 GOLD PLATING
 (CONTACT AND TAIL AREA)
 下地メッキ:ニッケルメッキ 1.5μm 以上
 UNDER PLATING : NICKEL 1.5 MICROMETER MINIMUM.
 補強金具 FITTING NAIL
 錫メッキ 1.0μm 以上
 TIN PLATING 1.0 MICROMETER MINIMUM.
 下地メッキ:ニッケルメッキ 1.0μm 以上
 UNDER PLATING : NICKEL 1.0 MICROMETER MINIMUM.
- △ テール部に適用。
 APPLY TO THE TAIL AREA.
4. 嵌合相手:54552 シリーズ
 MATE WITH : 54552 SERIES.
5. テール平坦度は、0.08 以下
 テール及び金具の平坦度は、0.1 以下
 TAIL COPLANARITY TO BE 0.08MAXIMUM
 TAIL AND FITTING NAIL COPLANARITY TO BE 0.1 MAXIMUM
6. ELV 及び RoHS 適合品
 ELV AND RoHS COMPLIANT
7. 本製品は503376-**19のボス無し品である。
 THIS PRODUCT IS NON-BOSS VERSION OF 503376-**19.



| | | | | | |
|------|------|-----|----|--------------------|----------|
| 12.5 | 13.9 | 9.6 | 15 | 503376-5020 | 50 |
| D | C | B | A | EMBOSSED TAPE PKG. | 極数 |
| | | | | ORDER No. オーダー番号 | CIRCUITS |

CONNECTOR SERIES No. : 503376-**29

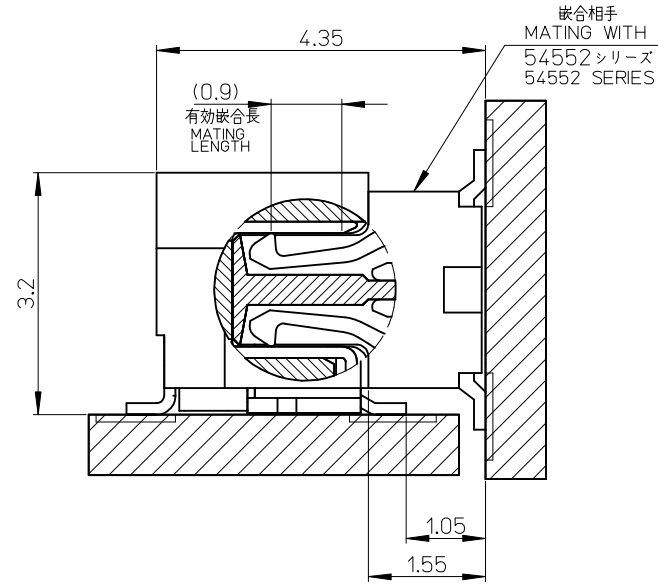
| | | | | | | |
|--|---------------------------------------|-------------|-----------------|---|---|---------------------------|
| RELEASED EC NO.: J2013-0242 DRWG:GMATSUNO 2012/08/31 CHKD:TASAKAWA 2012/08/31 APPR:TASAKAWA 2012/08/31 | GENERAL TOLERANCES (UNLESS SPECIFIED) | | DIMENSION STYLE | SCALE | DESIGN UNITS | THIRD ANGLE PROJECTION |
| | | | MM ONLY | --- | METRIC | |
| | 10 UNDER | ±0.2 | DRAWN BY | DATE | TITLE | |
| | 10 OVER 30 UNDER | ±0.25 | GMATSUNO | 2012/08/27 | 0.4 B-TO-B CONN. RA PLUG NAIL ASSY (WITHOUT BOSS) | |
| 30 OVER | ±0.3 | CHECKED BY | DATE | molex | DOCUMENT NO. SD-503376-003 | SHEET NO. 1 OF 2 |
| ANGULAR ±3 ° | | TASAKAWA | 2012/08/27 | | | |
| DRAFT WHERE APPLICABLE MUST REMAIN WITHIN DIMENSIONS | | APPROVED BY | DATE | SEE CHART | | |
| | | TASAKAWA | 2012/08/31 | THIS DRAWING CONTAINS INFORMATION THAT IS PROPRIETARY TO MOLEX INCORPORATED AND SHOULD NOT BE USED WITHOUT WRITTEN PERMISSION | | |



(基板端面)
(PWB EDGE)

推奨基板レイアウト(マウント面)

RECOMMENDED P.W.BOARD
PATTERN DIMENSION. (REFERENCE)
(MOUNTING AREA)



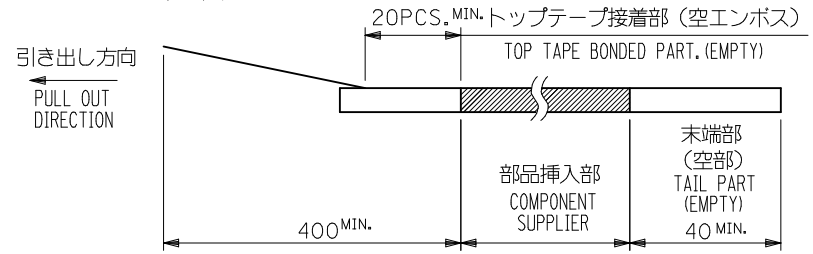
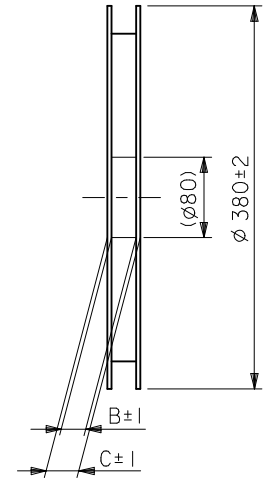
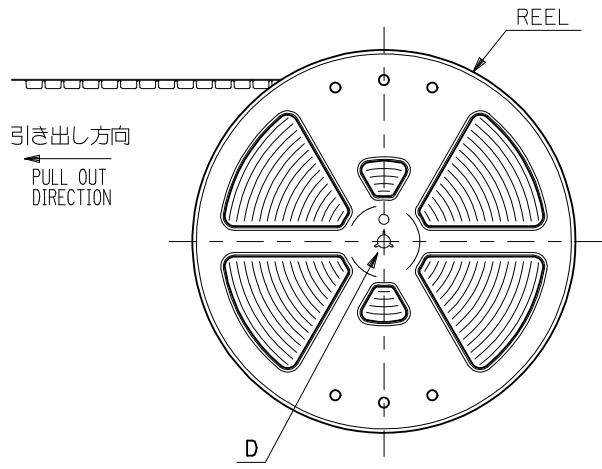
嵌合断面 (参考)

MATED DRAWING(REFERENCE)

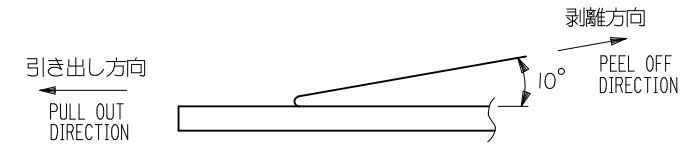
| | | | | | | | | | | |
|--|-----------------------|---------------------------------------|---|----------------------------|------------|----------------------|---------------|--|--------------|--------|
| RELEASED EC NO: J2013-0242 DRWG: GMATSUNO 2012/08/31 CHKD: TASAKAWA 2012/08/31 APPR: TASAKAWA 2012/08/31 | DESCRIPTION REV: 0 | GENERAL TOLERANCES (UNLESS SPECIFIED) | | DIMENSION STYLE MM ONLY | | CONNECTOR SERIES No. | 503376-**29 | | | |
| | | 10 UNDER | ± 0.2 | DRAWN BY | DATE | SCALE | DESIGN UNITS | THIRD ANGLE PROJECTION | | |
| | | 10 OVER 30 UNDER | ± 0.25 | TASAKAWA | 2012/08/27 | --- | METRIC | TITLE 0.4 B-TO-B CONN. RA PLUG NAIL ASSY (WITHOUT BOSS) | | |
| | | 30 OVER | ± 0.3 | TASAKAWA | 2012/08/27 | | | | | |
| | | ANGULAR ± 3 ° | | APPROVED BY | | DATE | MATERIAL NO. | | DOCUMENT NO. | |
| DRAFT WHERE APPLICABLE MUST REMAIN WITHIN DIMENSIONS | | TASAKAWA | | 2012/08/31 | SEE CHART | | SD-503376-003 | | | |
| | | SIZE | THIS DRAWING CONTAINS INFORMATION THAT IS PROPRIETARY TO MOLEX INCORPORATED AND SHOULD NOT BE USED WITHOUT WRITTEN PERMISSION | | | | | | SHEET NO. | 2 OF 2 |

NOTES

- 製品詳細寸法については SD-503376-003 を参照ください。
RE DETAILED DIMENSION, SEE SD-503376-003
- 梱包数量：1500個/リール
NUMBER OF CONNECTORS：1500PCS/REEL
- リードテープ長さ LEAD TAPE LENGTH



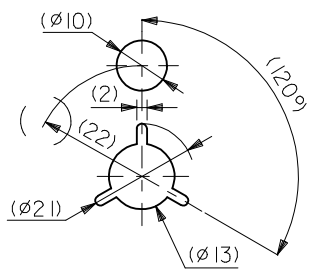
- トップテープの剥離強度：0.1 ~ 1.3N {10 ~ 130gf} (剥離方向は下図参照) 尚、本規格値は出荷時に適用。(但し、輸送時に剥離が発生しないこと。)
PEELING OFF FORCE OF TOP TAPE：0.1 ~ 1.3N {10 ~ 130gf}
(PEELING DIRECTION AS SHOWN IN FOLLOWING FIG.)
THIS REQUIREMENT SHOULD BE APPLIED AT SHIPMENT.
PEEL OFF SHOULD NOT BE ALLOWED, DURING TRANSPORTATION.



- 材料 (MATERIAL)
キャリアテープ (CARRIER TAPE)：ポリプロピレン (POLYPROPYLENE)
トップテープ (TOPTAPE)：PET, PE, PEF
リール (REEL)：ポリスチレン (P.S) (リサイクル材を含む)
POLYSTYRENE (PS) <RECYCLE MATERIAL CONTAINED>

- ELV 及び RoHS 適合品
ELV AND RoHS COMPLIANT.

- 本製品は、503376-**10 のボス無し品である。
THIS PRODUCT IS NON-BOSS VERSION OF 503376-**10.

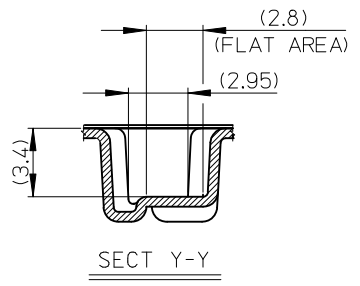
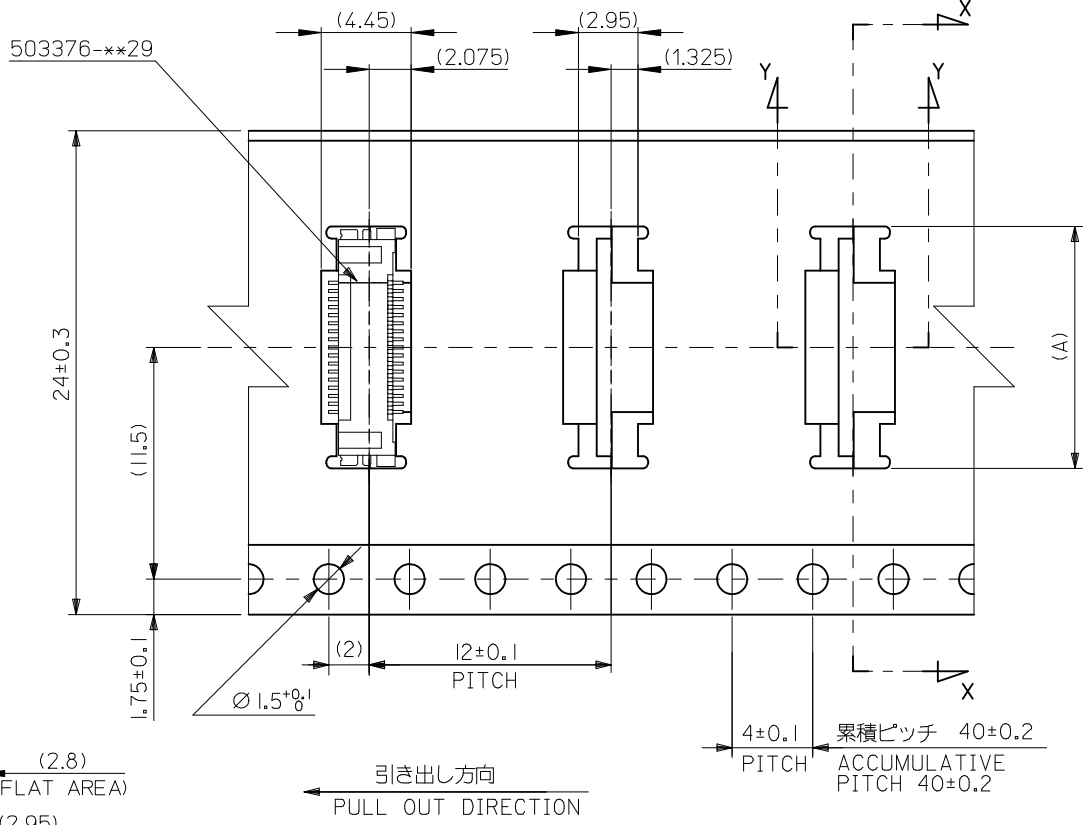
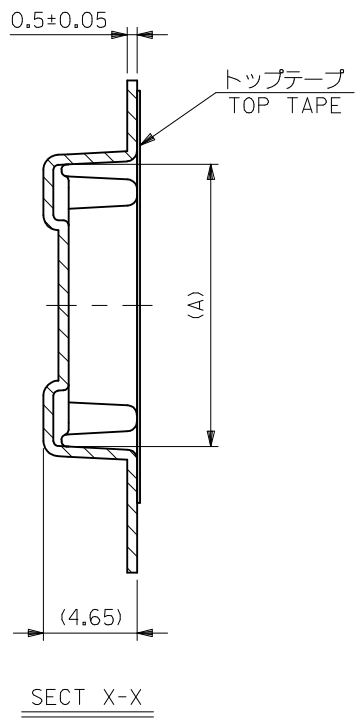


DETAIL D

| | |
|--------------------|----------|
| 503376-5020 | 50 |
| EMBOSSED TAPE PKG. | 極数 |
| ORDER No. オーダー番号 | CIRCUITS |

CONNECTOR SERIES NO. 503376-**20

| | | | | | | | |
|---|---------------------------------------|---|----------------------------|--------------------|--|------------------------|------------------------|
| RELEASED EC NO.: J2013-0242 DRWG: GMATSUNO 2012/08/31 CHKD: TASAKAWA 2012/08/31 APPR: TASAKAWA 2012/08/31 | GENERAL TOLERANCES (UNLESS SPECIFIED) | | DIMENSION STYLE MM ONLY | | SCALE --- | DESIGN UNITS METRIC | THIRD ANGLE PROJECTION |
| | 10 UNDER | ±0.2 | DRAWN BY GMATSUNO | DATE 2012/08/27 | TITLE EMBSTP PKG FOR 0.4 B/B CONN. RA PLUG NAIL ASSY WITHOUT BOSS molex DOCUMENT NO. SD-503376-004 SHEET NO. 1 OF 2 | | |
| | 10 OVER 30 UNDER | ±0.25 | CHECKED BY TASAKAWA | DATE 2012/08/27 | | | |
| | 30 OVER | ±0.3 | APPROVED BY TASAKAWA | DATE 2012/08/31 | | | |
| | ANGULAR ±3 ° | | MATERIAL NO. SEE CHART | | | | |
| DRAFT WHERE APPLICABLE MUST REMAIN WITHIN DIMENSIONS | | SIZE A3 | | | | | |
| 0 | REV | THIS DRAWING CONTAINS INFORMATION THAT IS PROPRIETARY TO MOLEX INCORPORATED AND SHOULD NOT BE USED WITHOUT WRITTEN PERMISSION | | | | | |



24mm幅キャリアテープ
24mm WIDTH CARRIER TAPE

| | | | | | |
|--------------------------------|------|------|------|--|----------------|
| 24 | 29.4 | 25.4 | 15.2 | 503376-5020 | 50 |
| キャリアテープ幅 CARRIER TAPE WIDTH | C | B | (A) | EMBOSSED TAPE PKG. ORDER No. オーダー番号 | 極数 CIRCUITS |

| | | | | | | |
|--|---------------------------------------|--|----------------------------|-------------------------------|--|--------------------------|
| RELEASED EC NO: J2013-0242 DRWG: GMATSUNO 2012/08/31 CHKD: TASAKAWA 2012/08/31 APPR: TASAKAWA 2012/08/31 | GENERAL TOLERANCES (UNLESS SPECIFIED) | | DIMENSION STYLE MM ONLY | | SCALE --- | MODEL NO. 503376-**20 |
| | 10 UNDER | ±0.2 | DRAWN BY GMATSUNO | DATE 2012/08/27 | TITLE EMBSTP PKG FOR 0.4 B/B CONN. RA PLUG NAIL ASSY WITHOUT BOSS | |
| | 10 OVER 30 UNDER | ±0.25 | CHECKED BY TASAKAWA | DATE 2012/08/27 | molex | |
| | 30 OVER | ±0.3 | APPROVED BY TASAKAWA | DATE 2012/08/31 | | |
| ANGULAR | ±3 ° | MATERIAL NO. SEE CHART | | DOCUMENT NO. SD-503376-004 | SHEET NO. 2 OF 2 | |
| DRAFT WHERE APPLICABLE MUST REMAIN WITHIN DIMENSIONS | | THIS DRAWING CONTAINS INFORMATION THAT IS PROPRIETARY TO MOLEX INCORPORATED AND SHOULD NOT BE USED WITHOUT WRITTEN PERMISSION | | | | |