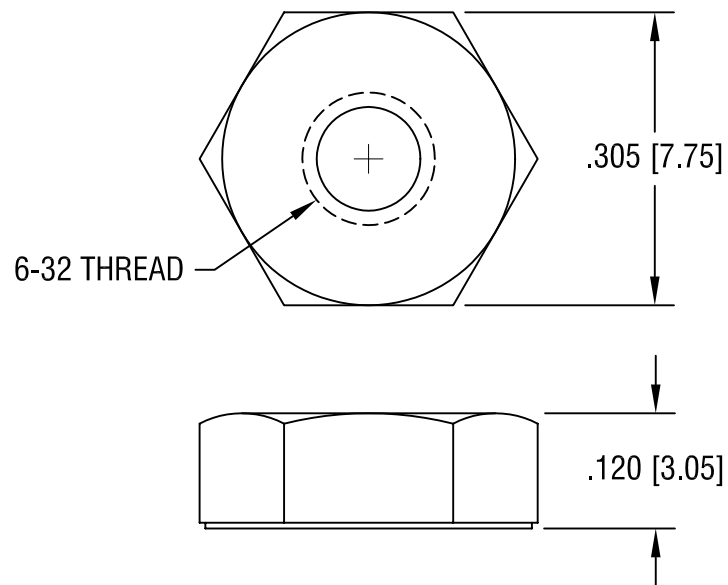


THIS DOCUMENT IS THE PROPERTY OF
KEYSTONE ELECTRONICS CORP. AND
SHALL NOT BE REPRODUCED, DISTRIBUTED
OR USED AS A BASIS FOR MANUFACTURE
WITHOUT PRIOR WRITTEN PERMISSION
FROM KEYSTONE ELECTRONICS CORP.



KEYSTONE ELECTRONICS CORP.			
ASTORIA, N.Y. 11105-2017			
PART NAME		NUT, 6-32	
MATERIAL		NYLON 6/6	
FINISH		DRN BY	DATE
-		BOONE	12.19.03
		APPD	SCALE
		LN	5X
TOLERANCES		INCH	[MM]
DECIMAL		$\pm .010$	[± 0.25]
ANGULAR		$\pm 1^\circ$	
UNLESS OTHERWISE SPECIFIED		CODE	DWG NO.
		C/M	9606

DATE	DESCRIPTION	REV.