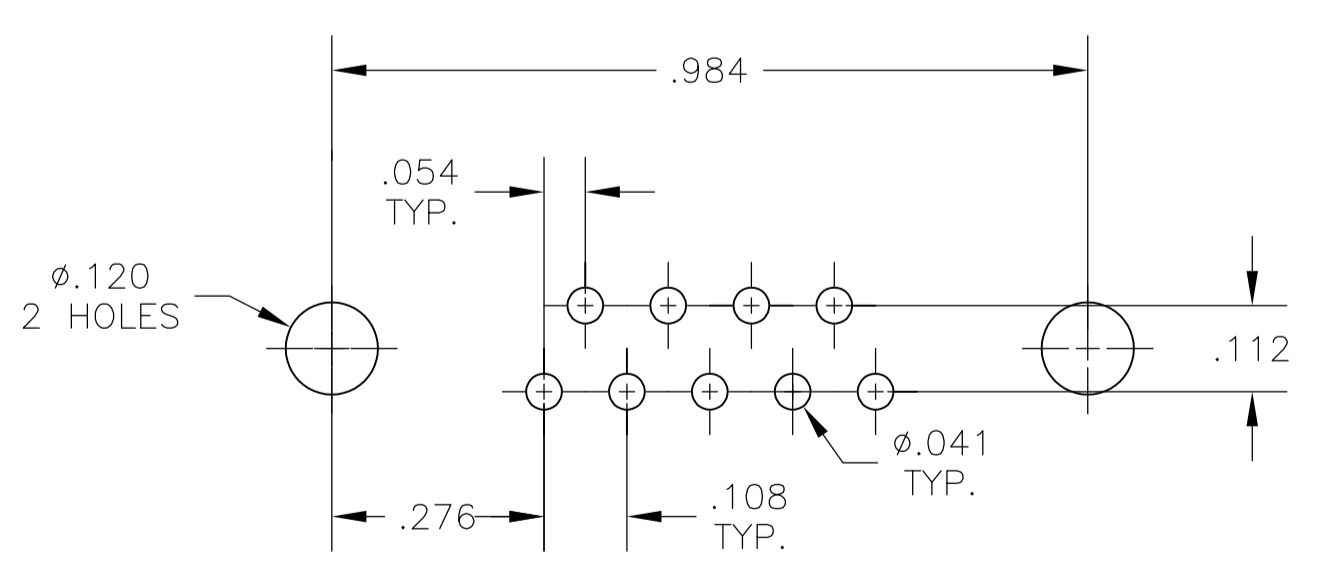
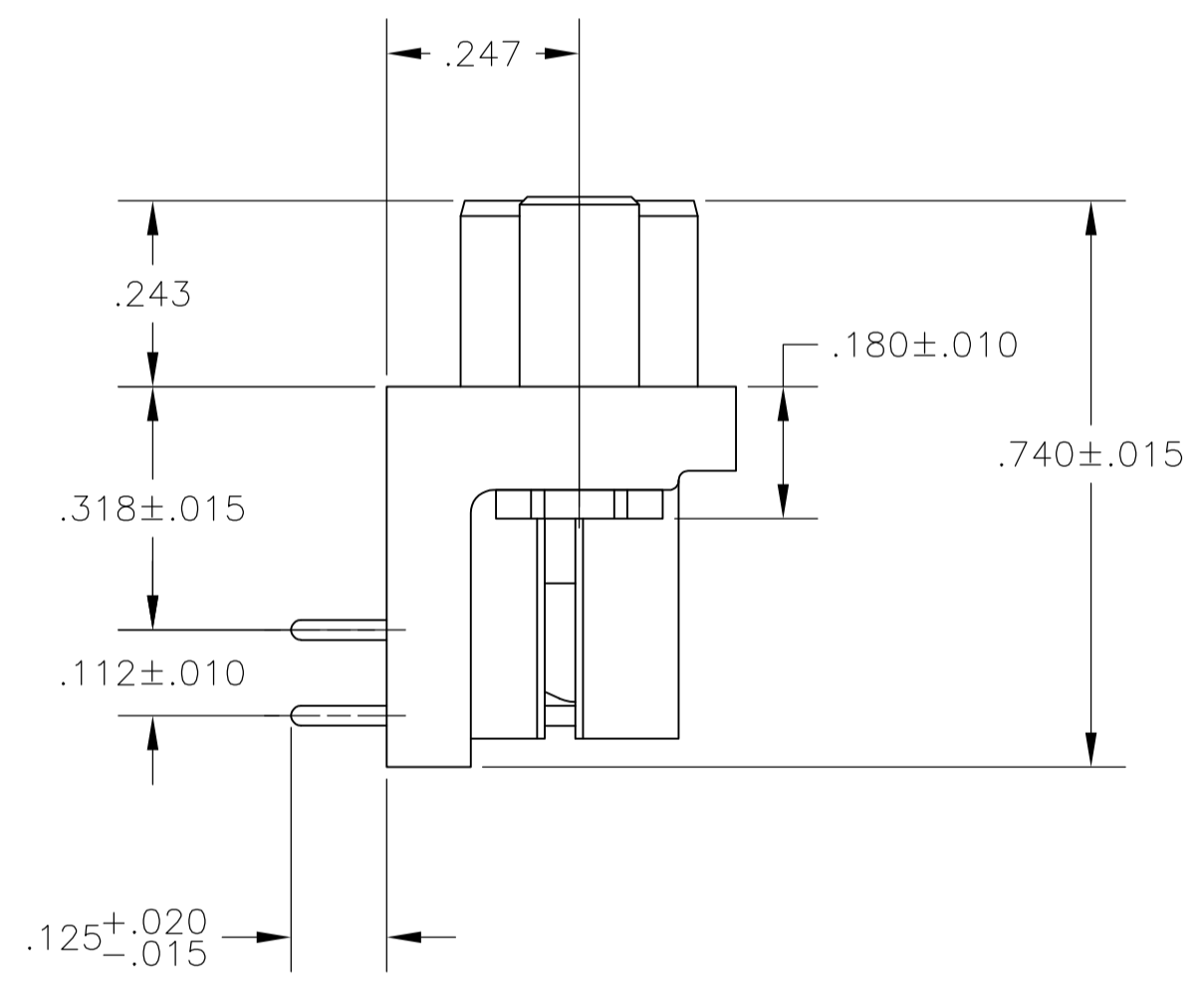
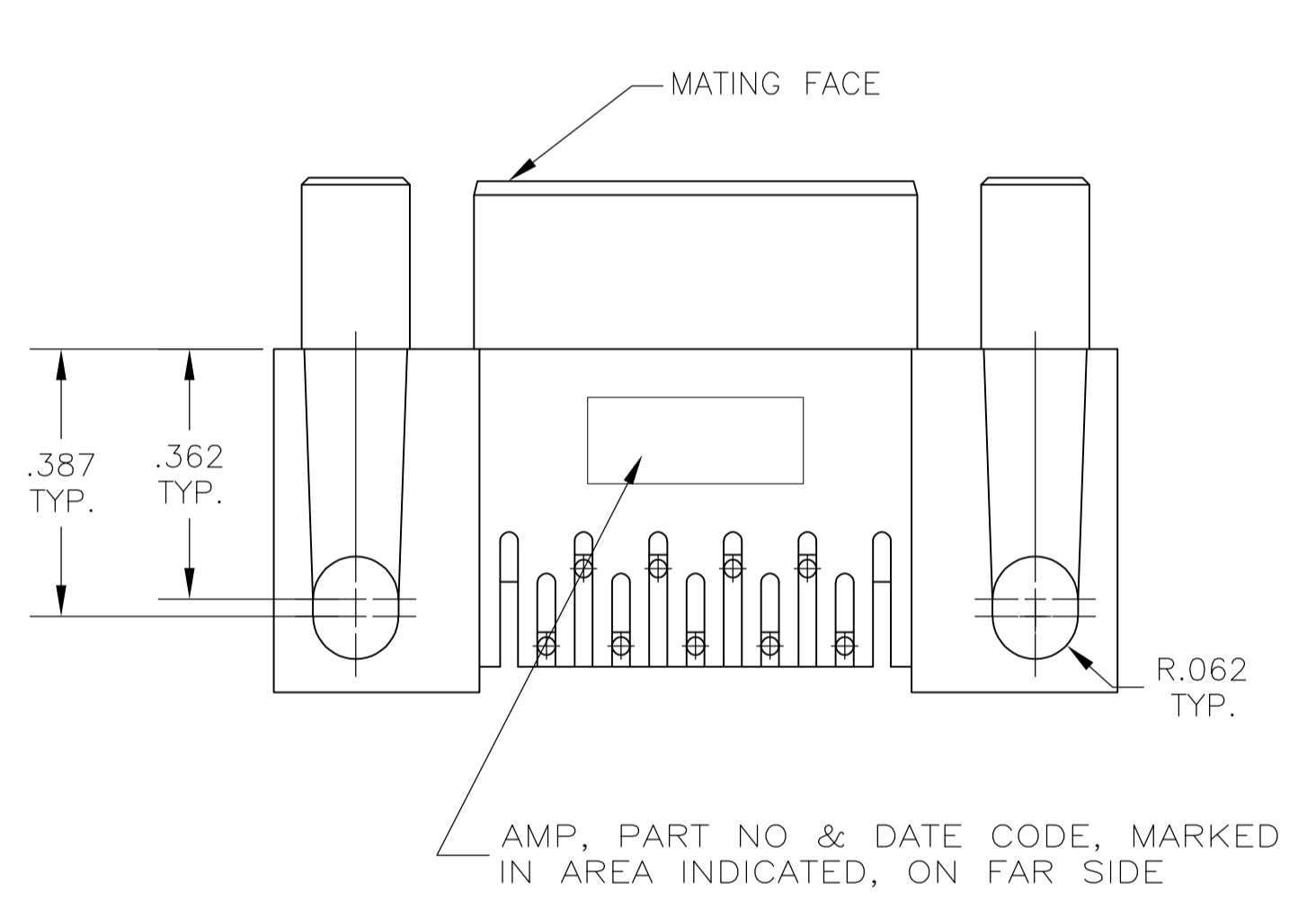
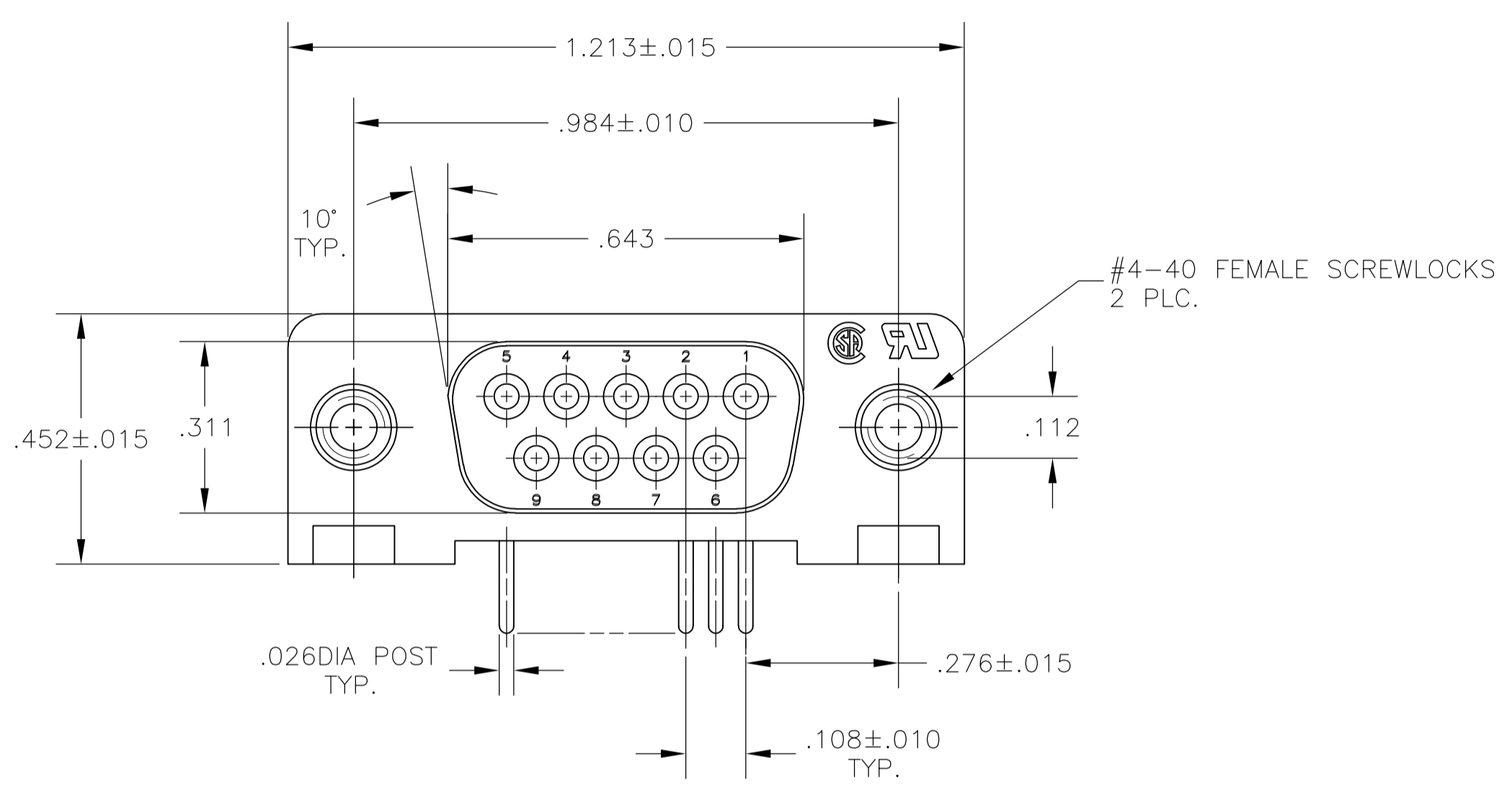


LOC		DIST		REVISIONS			
P	LTR	DESCRIPTION	DATE	DN	APVD		
F1		REVISED PER ECO-09-024927	07NOV09	KK	AEG		



P.C. BOARD MOUNTING DIMENSIONS  $\triangle 3$

- $\triangle 1$  FLAME RETARDANT, 94V-0 RATED, GLASS FILLED NYLON OR POLYESTER, COLOR: BLACK.
- $\triangle 2$  PHOS. BRONZE PER QQ-B-750.
- $\triangle 3$  REFER TO APPLICATION SPEC FOR RECOMMENDED P.C. BOARD MOUNTING DIMENSIONS FOR AUTOMATIC INSERTION.
- $\triangle 4$  GOLD PLATING PER MIL-G-45204, TIN PLATING PER MIL-T-10727, NICKEL PLATING PER QQ-N-290.
- $\triangle 5$  PLATED WITH GOLD FLASH FOR LENGTH OF .055 MIN FROM MATING END, WITH POINT OF MEASUREMENT .035 FROM MATING END OF CONTACT, .000100-.000200 TIN OR TIN-LEAD ON SOLDER END, ALL OVER .000050 NICKEL ON ENTIRE CONTACT.
- $\triangle 6$  PLATED WITH .000030 GOLD FOR LENGTH OF .055 MIN FROM MATING END, WITH POINT OF MEASUREMENT .035 FROM MATING END OF CONTACT, .000100-.000200 TIN OR TIN-LEAD ON SOLDER END, ALL OVER .000050 NICKEL ON ENTIRE CONTACT.
- $\triangle 7$  OBSOLETE PARTS: OBSOLETE CIS STREAMLINING PER D.RENAUD/D.SINISI

$\triangle$ SUPERSEDED	TUBES	$\triangle 6$	-745395-3-
	TRAYS	$\triangle 6$	745395-2
SUPSD BY 745395-2	-	$\triangle 5$	745395-1
	PACKAGING	FINISH	PART NUMBER

THIS DRAWING IS A CONTROLLED DOCUMENT.		DIN S. WELDON 5-5-87	Tyco Electronics Corporation Harrisburg, Pa 17105-3608													
DIMENSIONS: INCHES		CIK C. RICHARD 5-5-87	APVD B. TAYLOR 5-5-87													
TOLERANCES UNLESS OTHERWISE SPECIFIED:		NAME: RECEPTACLE ASSY, SIZE 1, 9 POSN, RIGHT ANGLE, .318 SERIES, $\phi .026$ POSTS, W/ FEMALE SCREWLOCKS, AMPLIMITE <sup>®</sup> HD-20														
<table border="1"> <tr><td>0 PLC</td><td>± -</td></tr> <tr><td>1 PLC</td><td>± -</td></tr> <tr><td>2 PLC</td><td>± -</td></tr> <tr><td>3 PLC</td><td>± .005</td></tr> <tr><td>4 PLC</td><td>± -</td></tr> <tr><td>ANGLES</td><td>± °</td></tr> </table>		0 PLC	± -	1 PLC	± -	2 PLC	± -	3 PLC	± .005	4 PLC	± -	ANGLES	± °	PRODUCT SPEC: 108-40005		
0 PLC	± -															
1 PLC	± -															
2 PLC	± -															
3 PLC	± .005															
4 PLC	± -															
ANGLES	± °															
MATERIAL: MOLDED PARTS: $\triangle$ CONTACTS: $\triangle$ SCREWLOCKS: ZINC		APPLICATION SPEC: 114-40015														
FINISH: $\triangle$ CONTACTS: SEE TABLE SCREWLOCKS: CLEAR CHROMATE		SIZE: A1 00779 C=745395														
WEIGHT: -		RESTRICTED TO: -														
CUSTOMER DRAWING		SCALE: 4:1 SHEET 1 OF 1 REV F1														