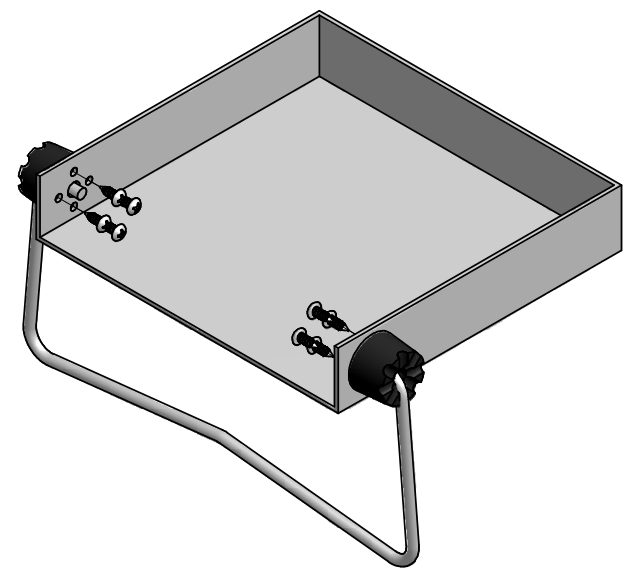
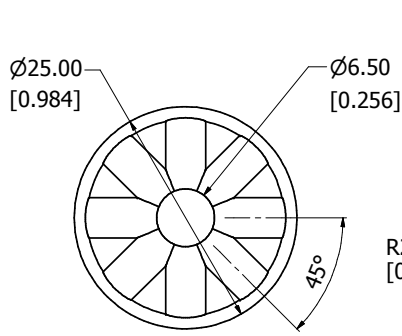


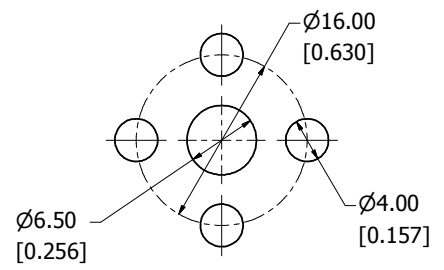
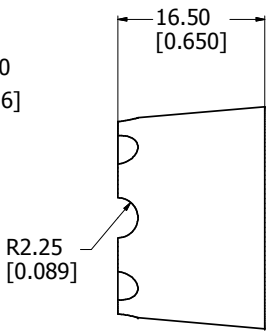
BAIL WITH ADJUSTMENT MOUNT



EXPLODED BAIL ASSEMBLY (BOX NOT INCLUDED)



ADJUSTMENT MOUNT



MOUNTING HOLE LOCATIONS

1599TH1
Bail - Bright Chrome Plated Steel
Feet - Matte Black Plastic
Hardware
8 Screws - Panhead Self Tapping 6-32 x 3/8"
*Bail for 1598C,E,F & G Enclosures
**note bail sold singly



**HAMMOND
MANUFACTURING™**

1598TH1