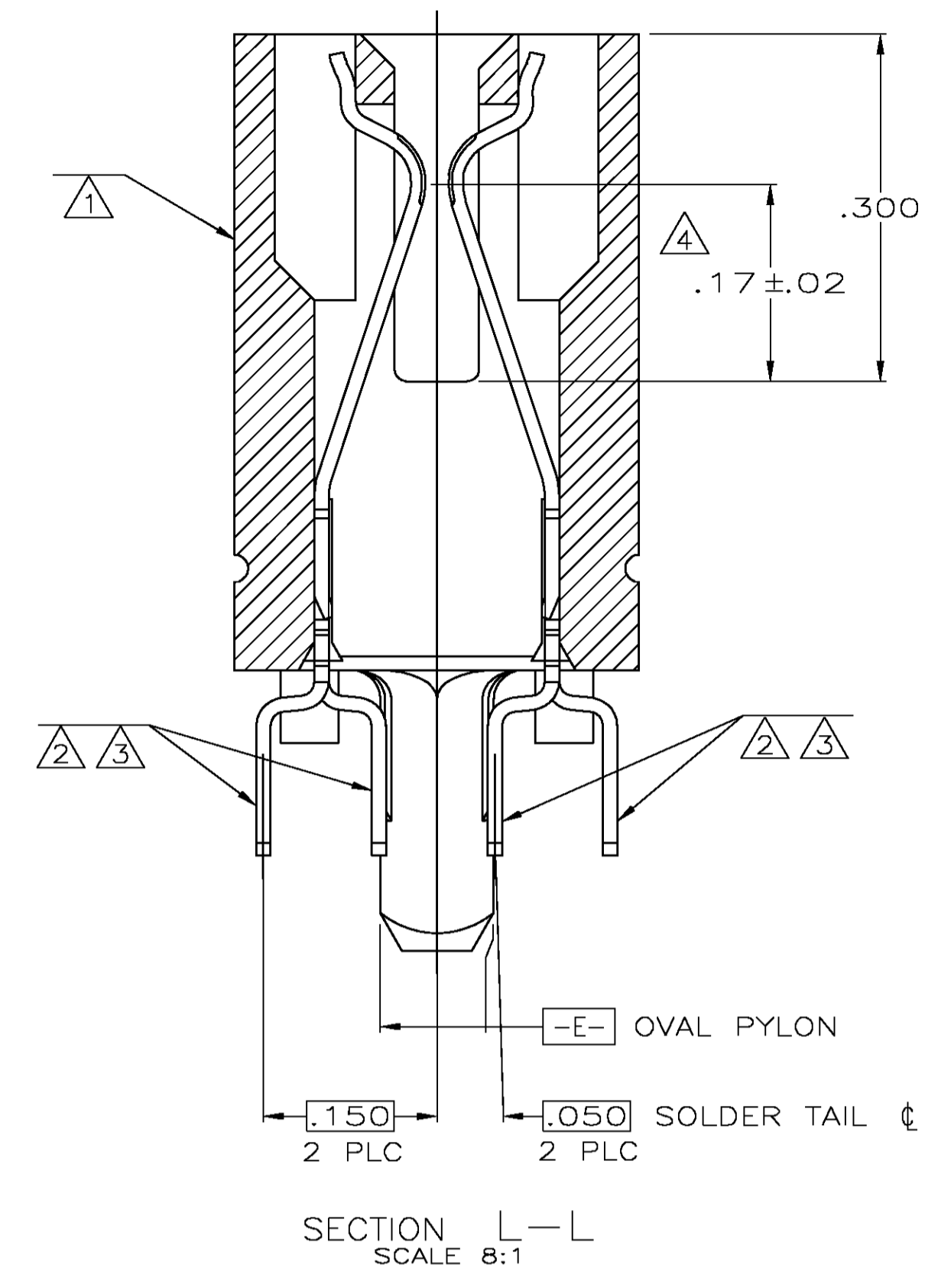
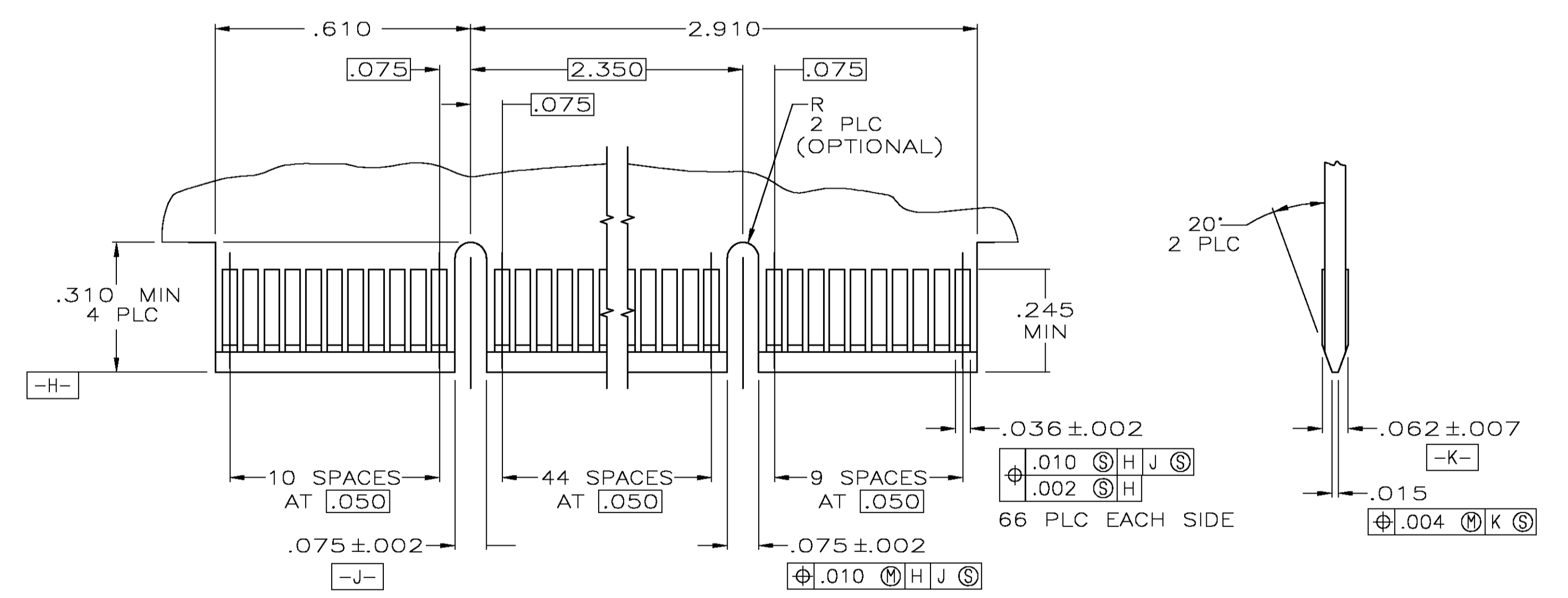


RECOMMENDED CONNECTOR MOUNTING HOLE PATTERN
(CONNECTOR SIDE SHOWN)



SECTION L-L
SCALE 8:1

- ① HOUSING: HIGH TEMPERATURE THERMOPLASTIC. COLOR: BROWN.
- ② CONTACT: PHOSPHOR BRONZE.
- ③ CONTACT FINISH: .000100 MIN NICKEL ALL OVER. .000030 MIN GOLD OVER NICKEL IN CONTACT AREA. .000100 MIN MATTE TIN OVER NICKEL ON SOLDER TAILS.
- ④ DISTANCE FROM CONTACT POINT TO BOTTOM OF CARD SLOT.
- ⑤ AMP PART NUMBER, DATE CODE AND CSA LOGO MARKED IN APPROXIMATE AREA SHOWN.



RECOMMENDED MATING BOARD EDGE CONFIGURATION

| | |
|-----|-------------|
| .14 | 5650091-2 |
| .10 | 5650091-1 |
| W | PART NUMBER |

OBSOLETE

| | | | | | |
|--|--|--------------------------|--|------------------------------|--|
| THIS DRAWING IS A CONTROLLED DOCUMENT. | | DIN AL FRANTUM 14 MAR 05 | | Tyco Electronics Corporation | |
| DIMENSIONS: mm | | CIR AL FRANTUM 14 MAR 05 | | Harrisburg, Pa 17105-3608 | |
| TOLERANCES UNLESS OTHERWISE SPECIFIED: | | APVD | | NAME | |
| 0 PLG ± - | | PRODUCT SPEC | | CONNECTOR ASSEMBLY | |
| 1 PLG ± - | | 108-14034 | | 66 DUAL POSITION, | |
| 2 PLG ± 0.25(.01) | | APPLICATION SPEC | | .050 SERIES STANDARD EDGE | |
| 3 PLG ± 0.13(.005) | | 114-26012 | | SIZE | |
| 4 PLG ± - | | WEIGHT | | A1 00779 C=5650091 | |
| ANGLES ± - | | CUSTOMER DRAWING | | SCALE 4:1 SHEET 1 OF 1 REV A | |
| FINISH | | | | | |