

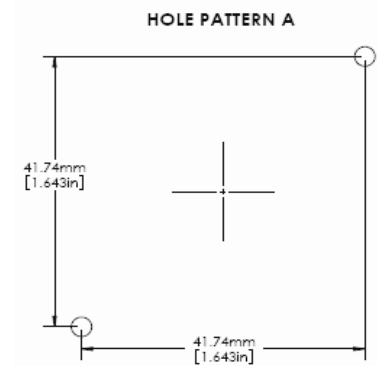
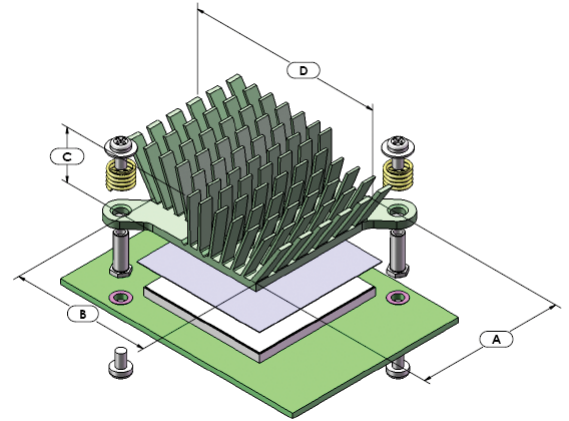
# maxiFLOW™ Cross Cut High Performance Heat Sinks with Hardware Attachment



**ATS PART # ATS-1039-C3-R0**

## Features & Benefits

- » For larger heat sinks and higher pre-loads, push pins with compression springs are an effective mounting choice. The push pin has a flexible barb at the end that is designed to engage with a pre-drilled hole in a PWB. The compression spring adds the necessary force to hold the assembly together. Provides better thermal performance than comparable size straight fin and pin fin heat sinks
- » Features proven high performance maxiFLOW™ heat sink spread fin array to maximize cooling surfaces
- » Ideal for tight spaced components where wider heat sinks can't be used
- » Provided with pre-assembled thermal interface material centered on base
- » PEM Standoff with compression and screws
- » Recommended through hole size in PCB is 3.00 mm



*\*Image above is for illustration purposes only.*

## Thermal Performance

AIR VELOCITY		THERMAL RESISTANCE (°C/W UNDUCTED)	
FT/MIN	M/S	AIR FLOW STRAIGHT	AIR FLOW SIDEWAYS
200	1.0	3.3	5.6
300	1.5	2.5	4.3
400	2.0	2	3.4
500	2.5	1.8	2.6
600	3.0	1.7	2.2

## Product Details

DIMENSION A	DIMENSION B	DIMENSION C	DIMENSION D	INTERFACE MATERIAL	FINISH
40 mm	38 mm	15 mm	53 mm	CHOMERICS T-766	GREEN ANODIZED

### NOTES:

- 1) DIMENSION C = HEAT SINK HEIGHT FROM BOTTOM OF THE BASE TO THE TOP OF THE FIN FIELD.
- 2) THERMAL PERFORMANCE DATA ARE PROVIDED FOR REFERENCE ONLY. ACTUAL PERFORMANCE MAY VARY BY APPLICATION.
- 3) ATS RESERVES THE RIGHT TO UPDATE OR CHANGE ITS PRODUCTS WITHOUT NOTICE
- 4) CONTACT ATS TO LEARN ABOUT CUSTOM OPTIONS AVAILABLE



**ATS** ADVANCED THERMAL SOLUTIONS, INC.  
Innovations in Thermal Management®

**For more information, to find a distributor or to place an order, visit [www.qats.com](http://www.qats.com) or call: 781.769.2800 (North America); +31 (0) 3569 84715 (Europe).**