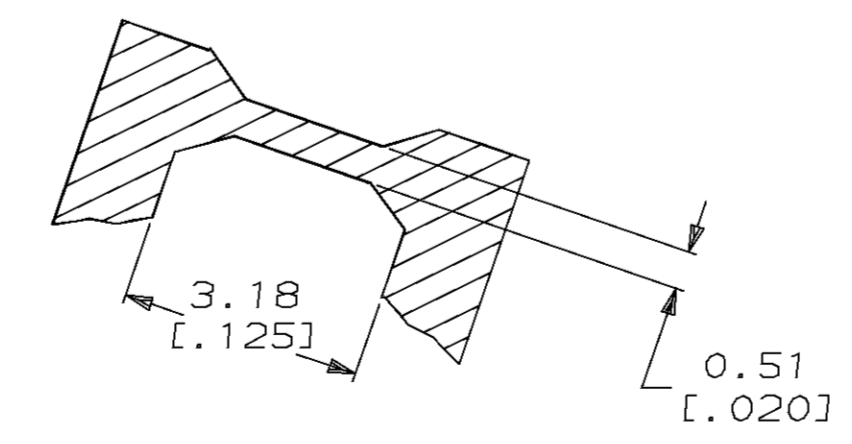
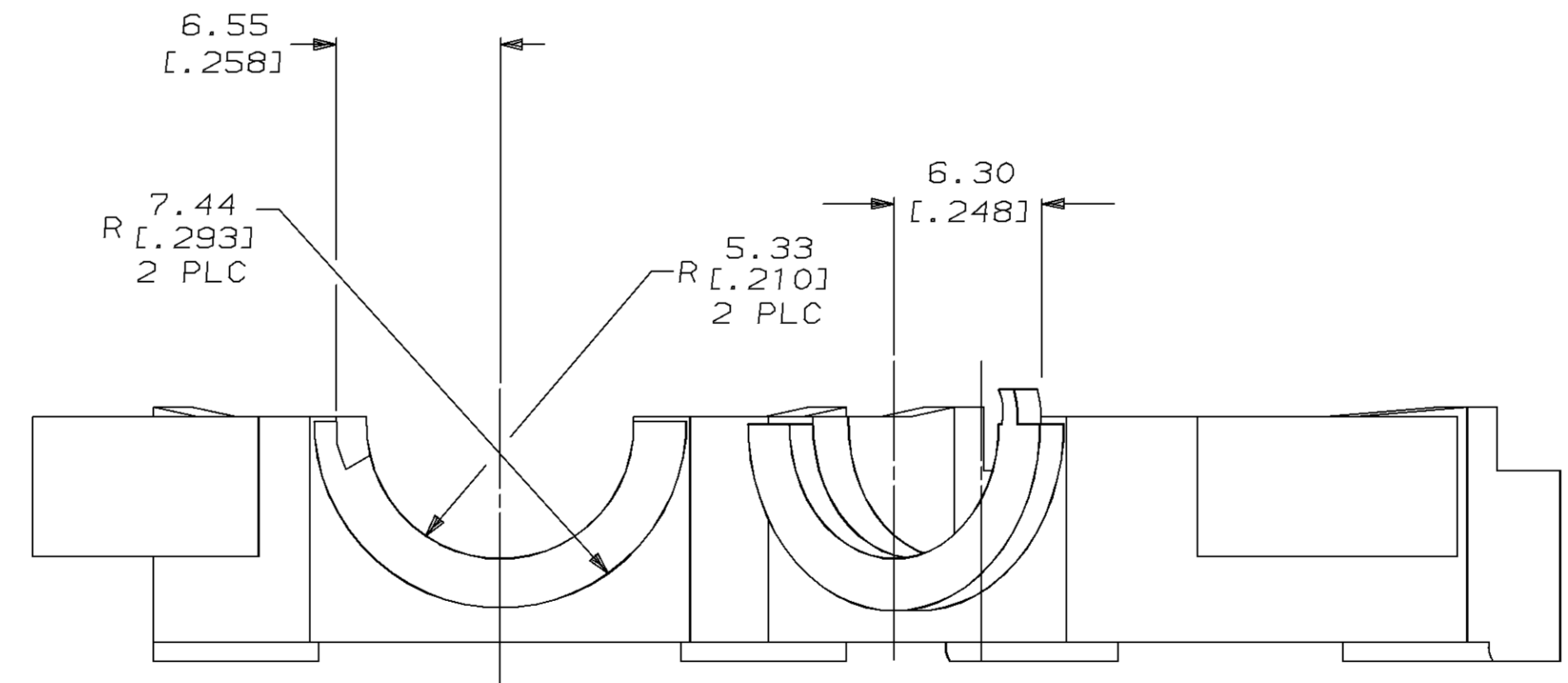
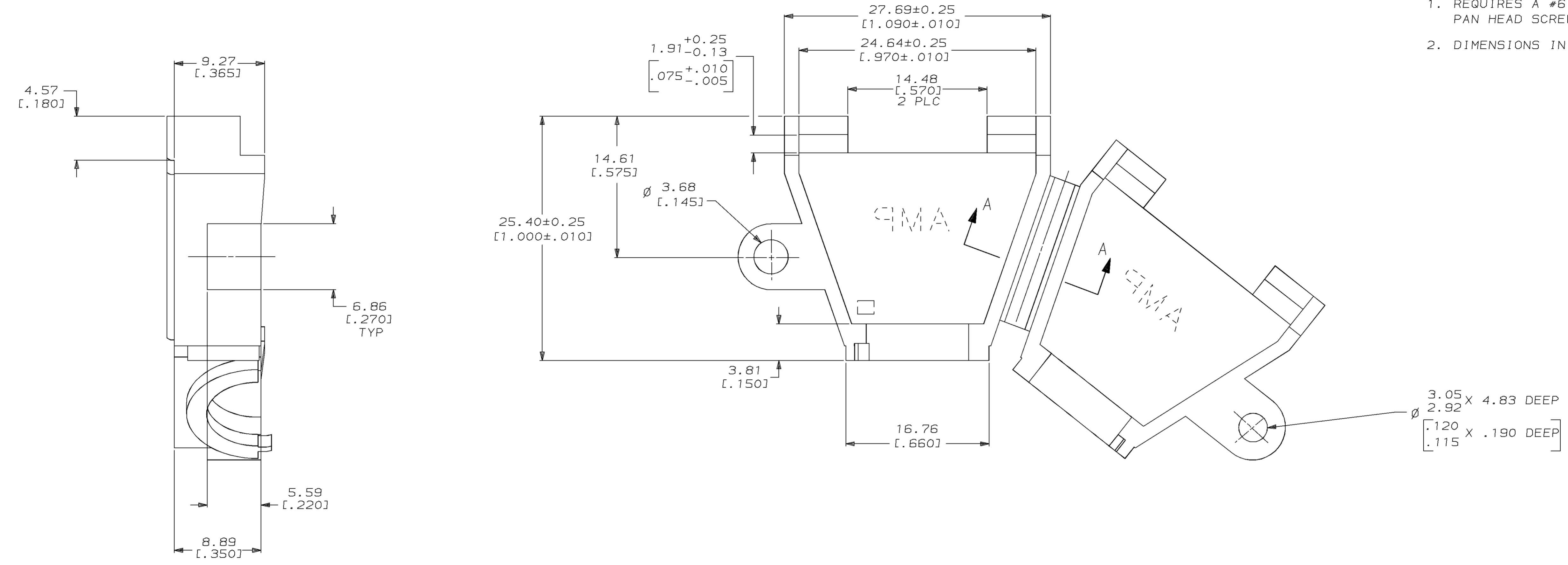
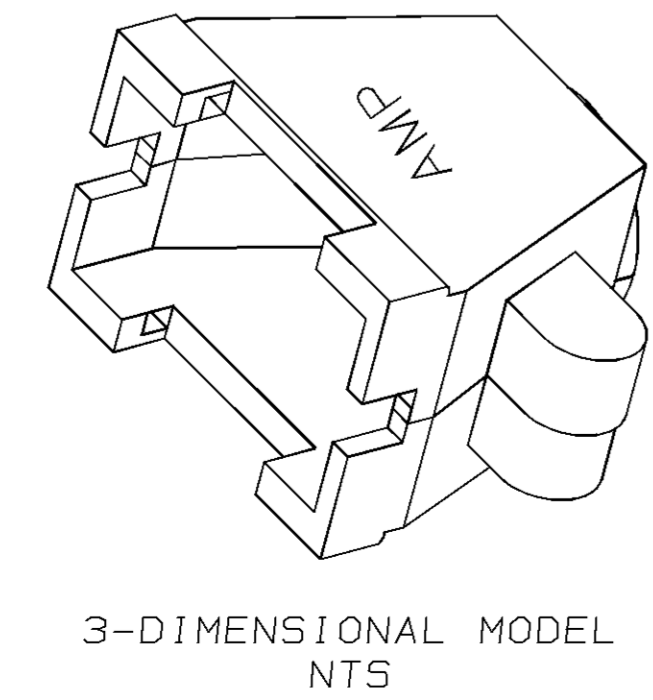


LOC		DIST		ZONE		LTR		REVISIONS			
CM	52	P	F					DESCRIPTION	DATE	APPD	
								J	REV & REDWN PER EC 0730-0072-94	8-26-93	K5 RS

- REQUIRES A #6 PAN HEAD TYPE "B" SELF TAPPING PAN HEAD SCREW, 9.53 [.375] LONG.
- DIMENSIONS IN BRACKETS ARE IN INCHES.



SECTION A-A  
SCALE 10:1



THIS DRAWING IS A CONTROLLED DOCUMENT FOR AMP INCORPORATED. IT IS SUBJECT TO CHANGE AND THE CONTROLLING ENGINEERING ORGANIZATION SHOULD BE CONTACTED FOR THE LATEST REVISION.

BLACK	1-359523-9
BRICK RED	350523-1
COLOR	PART NO

DO NOT SCALE PRINT. UNLESS SPECIFIED DIMENSIONS IN mm [INCHES] TOLERANCES ON : 2 PLC DEC ± 0.13(.005) 3 PLC DEC ± - ANGLES ± -		DR 8-26-93 K. SALMON		<b>AMP</b> AMP Incorporated Harrisburg, PA 17105-3608 NAME STRAIN RELIEF, HINGED, 15 POSITION	
MATERIAL NYLON		CHK 8-26-93 R. SWING			
FINISH COLOR, SEE TABLE		APPD - W. LONG		DRAWING NO ©-350523	
		APPD - W. LONG		CAGE CODE 00779	
		PRODUCT SPEC -		SCALE 4:1	
		APPLICATION SPEC -		SHEET 1 OF 1	
		WEIGHT -		CUSTOMER DRAWING	