

Photointerrupter with Connector

GP1A173LCS2F/GP1S173LCS2F

Features

- Employs connector-united case and connector pin-united frame.
Low cost by part reduction
- High operating temperature (-30 to +95 °C)
Extending area to mount photointerrupter under high/low temperature condition in copier & LBP.
- High reliability of connection improved by combined case & connector as one part.
- Mechanical installation is compatible with conventional models. (GP1A73/GP1S73 series)

Main Specifications

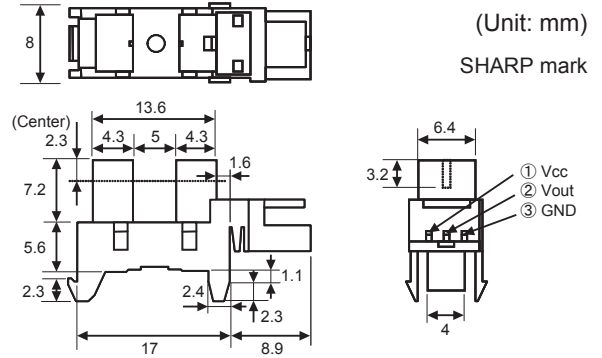
OPIC output type 【GP1A173LCS2F】

Parameter	Symbol	Characteristics
Operating supply voltage	V _{CC}	4.5 to 5.5 V
Low level supply current	I _{CC} L	MAX. 16.5 mA
Low level output voltage	V _{OL}	MAX. 0.35 V
High level supply current	I _{CC} H	MAX. 16.5 mA
High level output voltage	V _{OH}	MIN. V _{CC} × 0.9 V
Response characteristics	MIN. interruption time	t _H MIN. 166 μs
	MIN. sensing time	t _L MIN. 166 μs
Operating temperature	T _{opr}	-30 to +95 °C

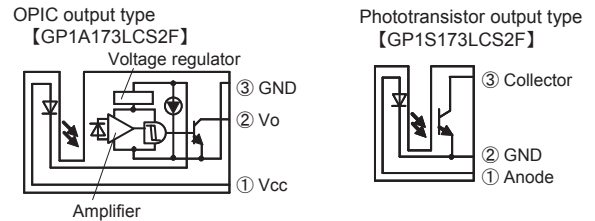
Phototransistor output type 【GP1S173LCS2F】

Parameter	Symbol	Characteristics
Forward voltage	V _F	1.2 to 1.4 V
Peak forward voltage	V _{FM}	TYP. 3 V
Reverse voltage	I _R	MAX. 10 mA
Dark current	I _{CEO}	MAX. 100 nA
Collector current	I _c	MIN. 0.5 mA
Collector-emitter voltage	V _{CE (sat)}	MAX. 0.4 V
Response characteristics	Rise time	t _r MAX. 15 μs
	Fall time	t _f MAX. 20 μs
Operating temperature	T _{opr}	-30 to +95 °C

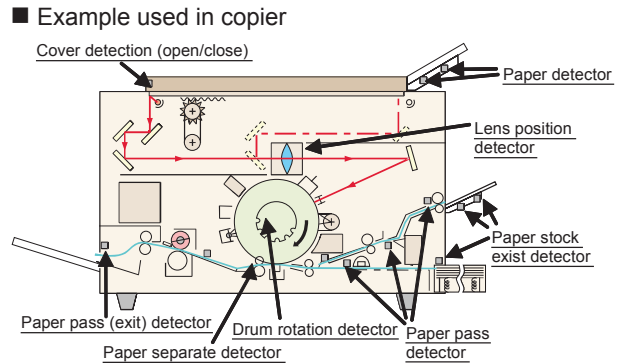
Outline Dimensions



Internal Connection Diagram

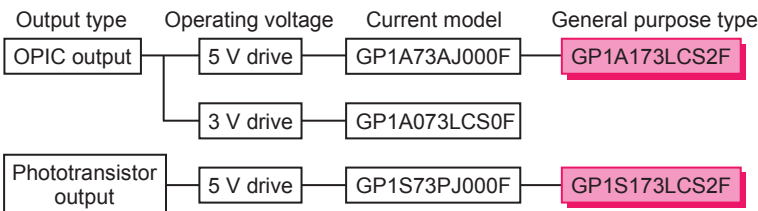


Application



Lineup

- Transmissive type photointerrupter with connector



■ : New product

Applications

- Copier, Laser beam printer

■ Under copyright laws, no part of this publication may be reproduced or transmitted in any form or by any means, electronic or mechanical for any purpose, in whole or in part, without the express written permission of SHARP.
 ■ SHARP reserves the right to make changes in the contents described herein at any time without notice. Contact SHARP in order to obtain the latest device specification sheets before using any SHARP device.