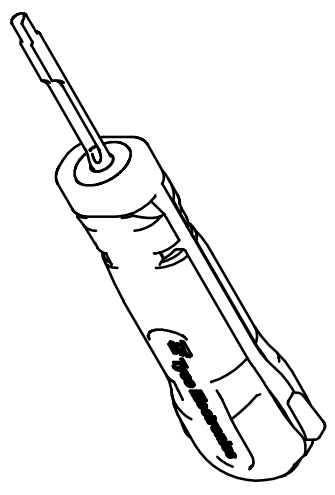
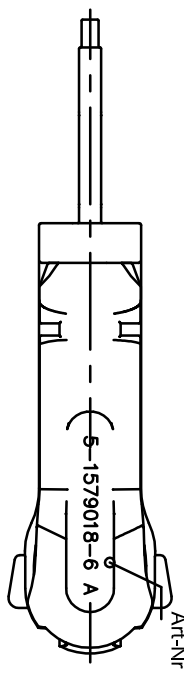
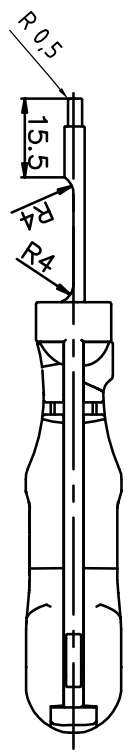
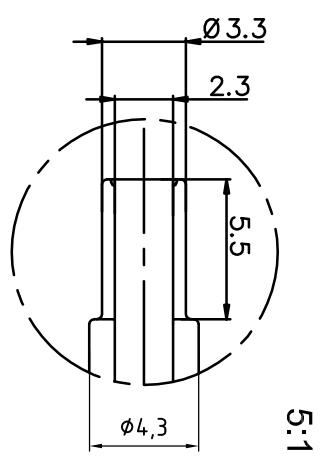
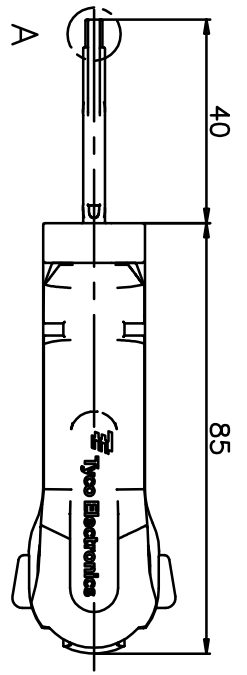


REVOLUTIONS		DATE	DWN	APP'D
LOC	DISC	DESCRIPTION	DATE	DWN
-	-	P LTR	15SEP09	Sd
-	-	A INITIAL REVISION	15SEP09	G.S.



APPLICATION RANGE / Anwendungsbereich :  
FOR CONTACT: 964269-X

<b>THIS DRAWING IS A CONTROLLED DOCUMENT.</b>		DWN	S. Samsfag	15SEP09
DIMENSIONS: mm		CHK	G. Stegmayer	15SEP09
TOLERANCES UNLESS OTHERWISE SPECIFIED:		APP'D	G. Stegmayer	15SEP09
0 PLC	± -	PRODUCT SPEC		
1 PLC	± -	APPLICATION SPEC		
2 PLC	± -	WEIGHT	0,000kg	
3 PLC	± -	<b>CUSTOMER DRAWING</b>		
FINISH	± -	SIZE	A3	
		CAGE CODE	00779	
		DRAWING NO	5-1579018-6	
		SCALE	1:1	
		SHEET	1 OF 1	
		REV	A	

**Tyco Electronics**  
Tyco Electronics AMP GmbH  
64625 Bensheim in Germany

**INSERTION TOOL**  
Eindrueckwerkzeug / Steckhilfe