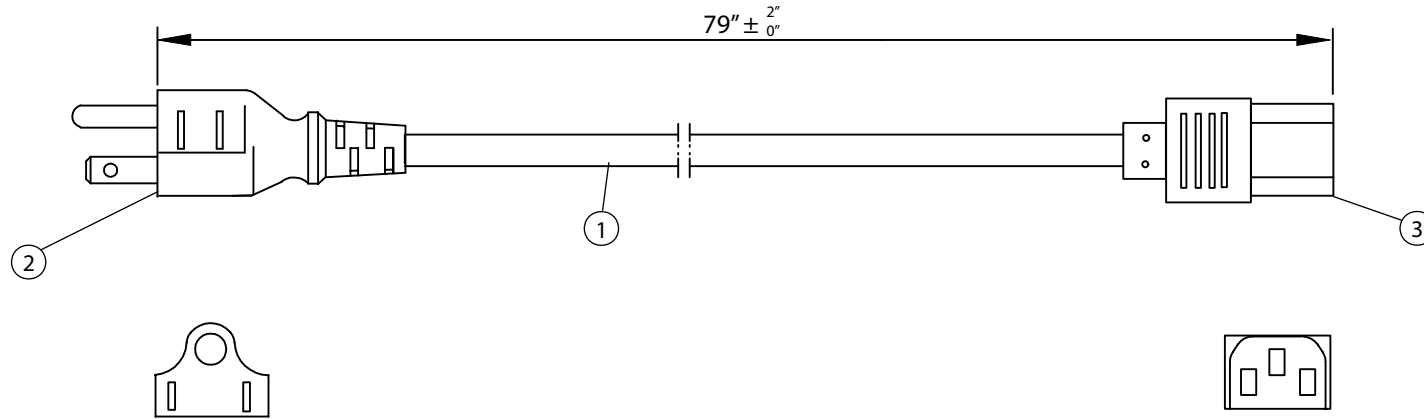


THESE DRAWINGS ARE THE PROPERTY OF QUALTEK ELECTRONICS AND NOT TO BE REPRODUCED FOR OR COMMUNICATED TO A THIRD PARTY WITHOUT THE EXPRESS WRITTEN PERMISSION OF AN OFFICER OF QUALTEK ELECTRONICS.

REVISION			
REV.	DESCRIPTION	DATE	APPROVED
B	RoHS Compliancy	06-01-06	D.P.
C	Updated Approvals	02-03-09	LY



NOTES:

1. CORDAGE: SJT, 18AWG / 3C, UNSHIELDED, CEE COLOR CODE, TEMP. RATING: 60°C, RATING: 125V 10A, JACKET COLOR: BLACK
2. PLUG: NEMA 5-15P
3. CONNECTOR: IEC 60320 C13
4. APPROVALS: UL, CSA
5. ROHS COMPLIANT

CONTROLLED

		Qualtek Electronics Corp. PPC DIVISION		
Dim range (mm)	Tolerance +/- (mm)	Part Number: 312007-01		RoHS Compliant
		Description: POWER CORD		
0-1	0.15	UNIT: in		REV. C
1-6	0.20	Drawn / Date	Checked / Date	Approved / Date
6-18	0.30			
18-50	0.50	S.TSAI 10-28-01	10-28-01	JJH / 10-28-01
50-120	0.70			
120-250	0.90			
250-500	1.20			