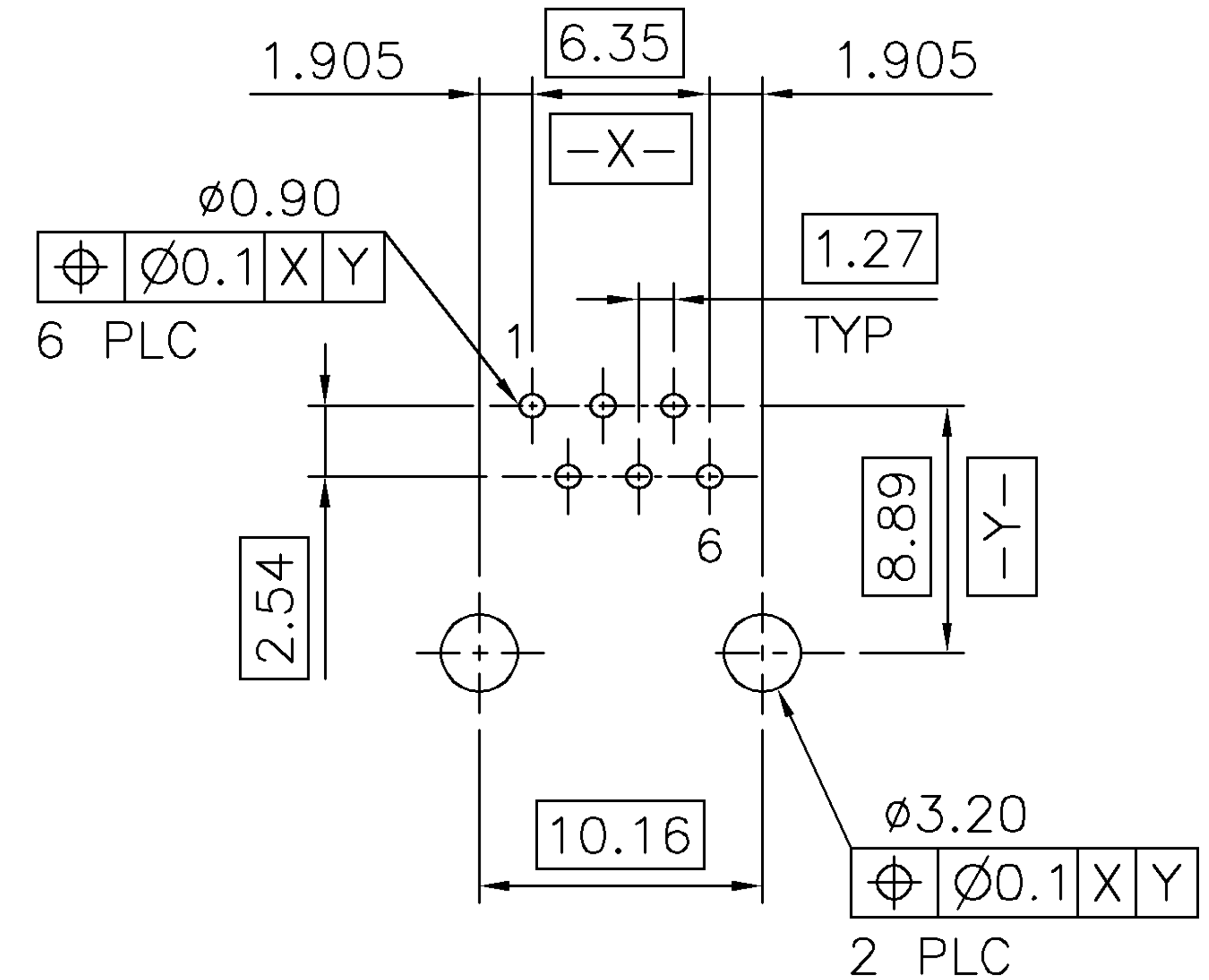
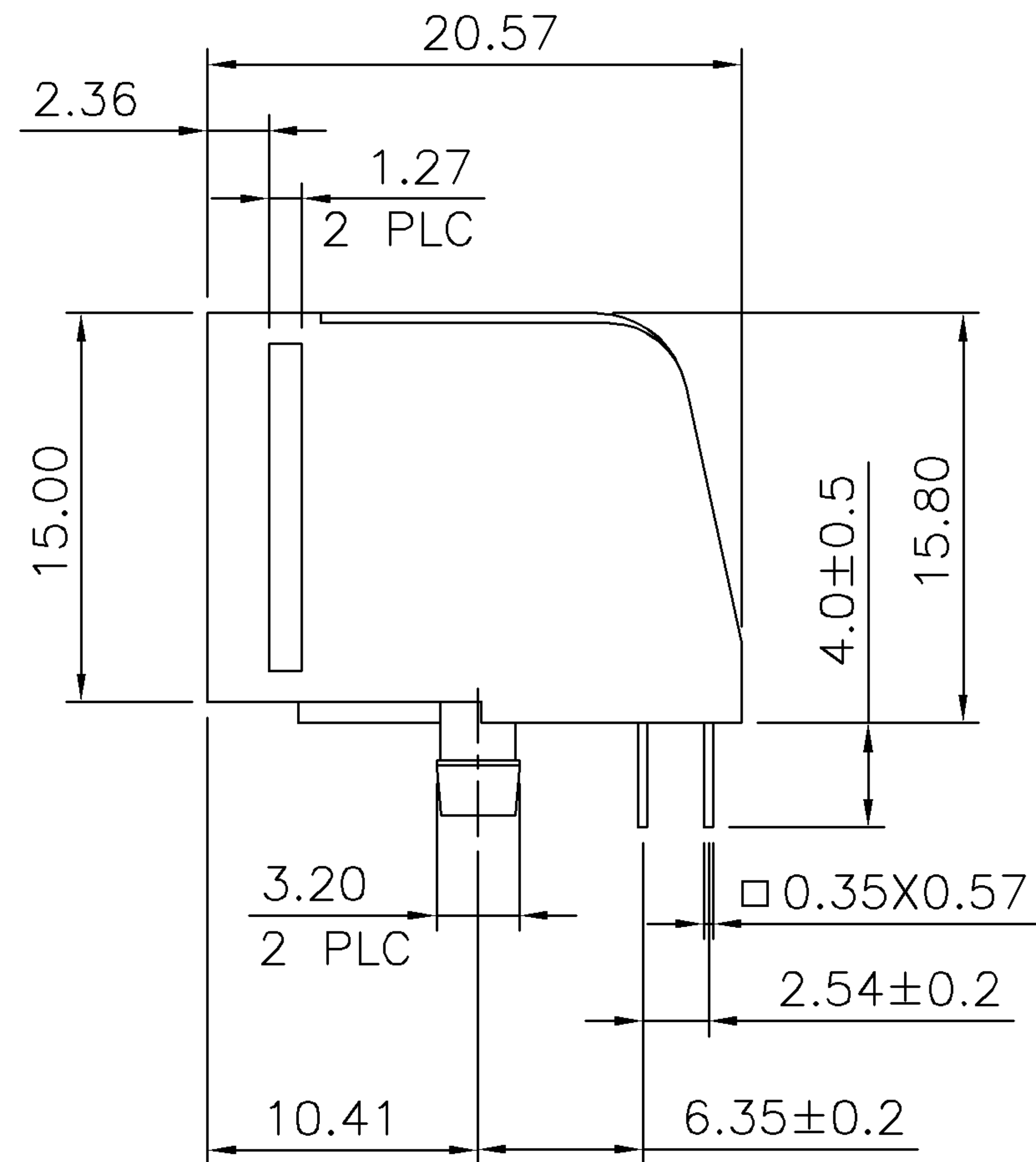
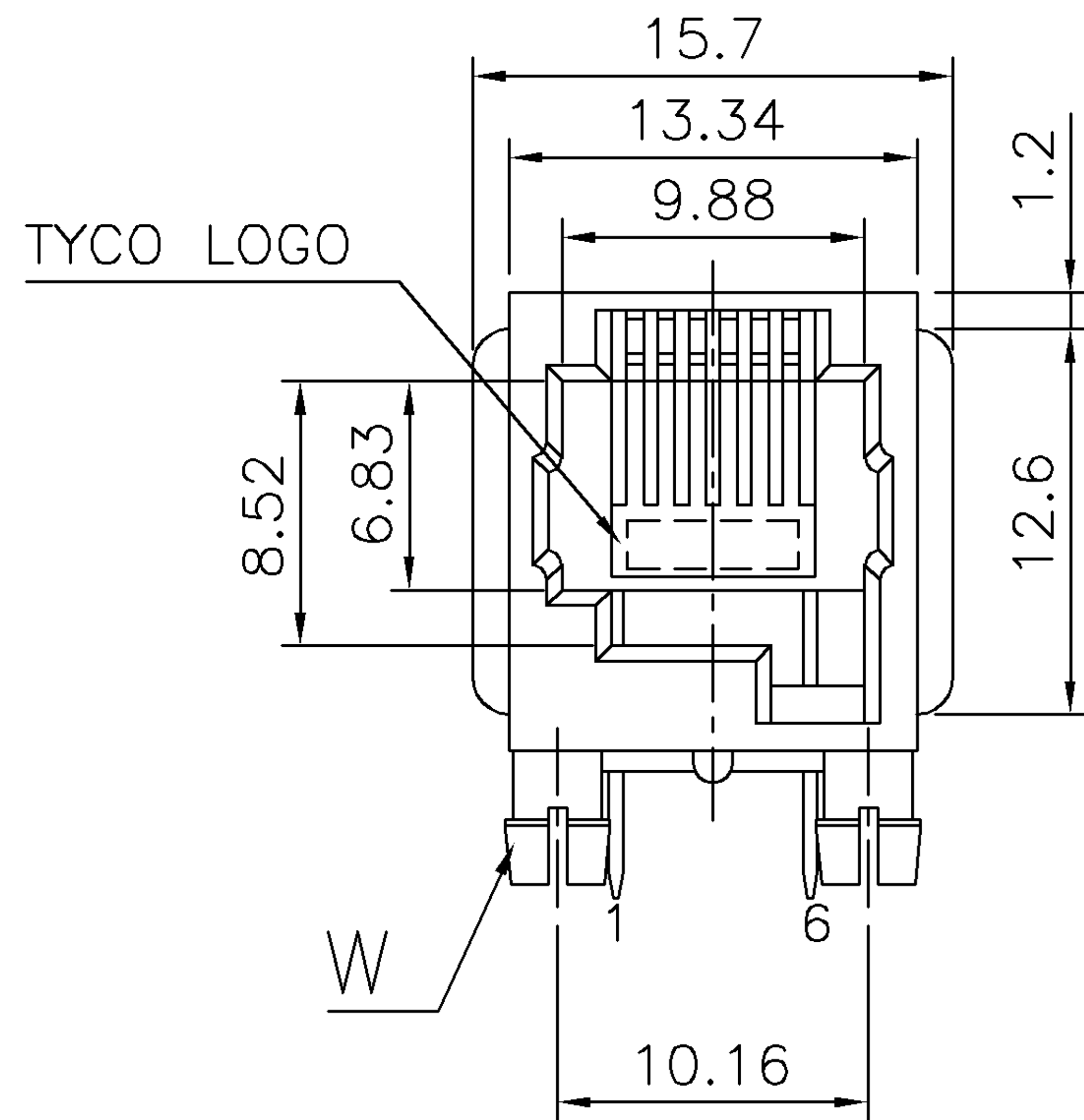


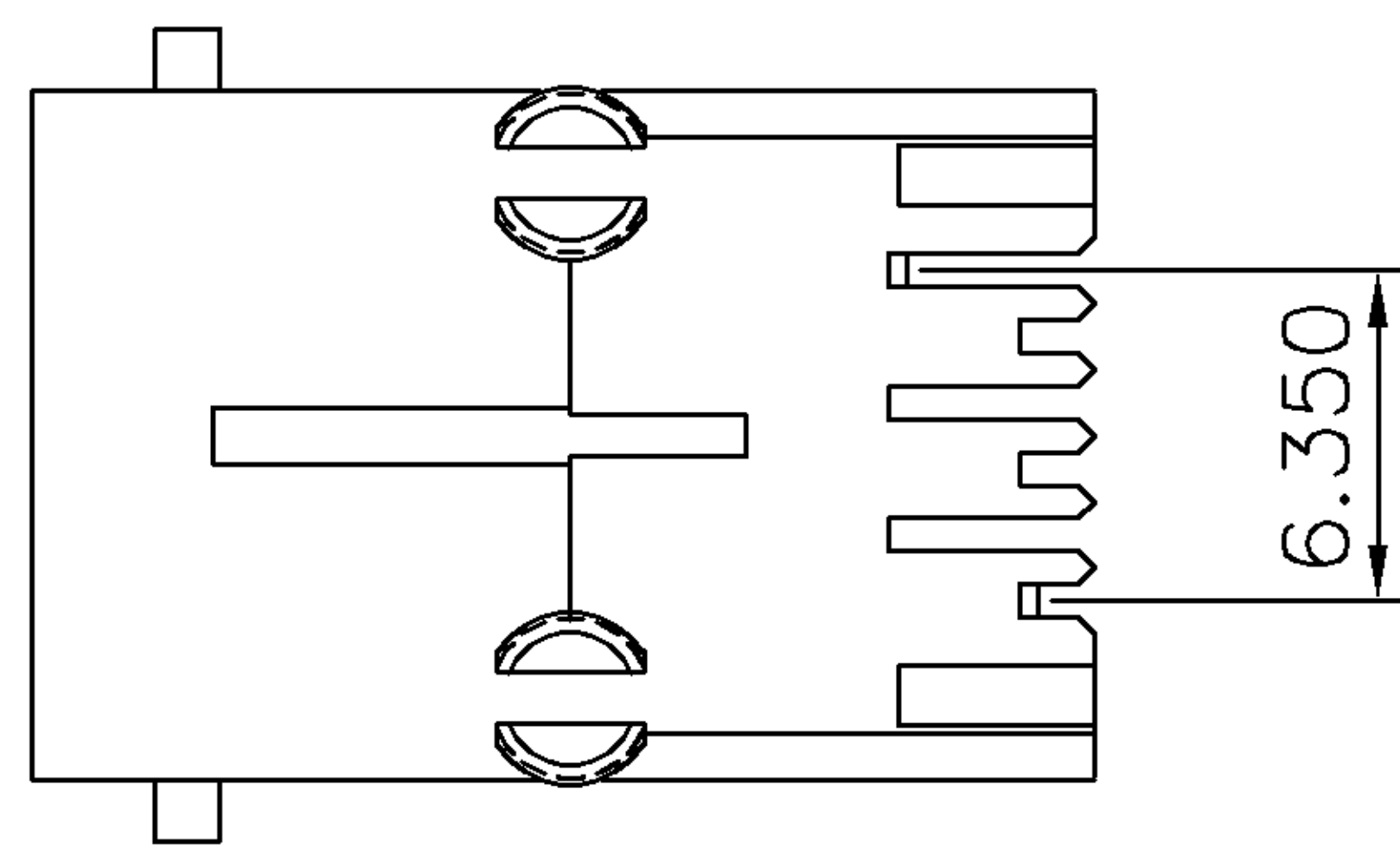
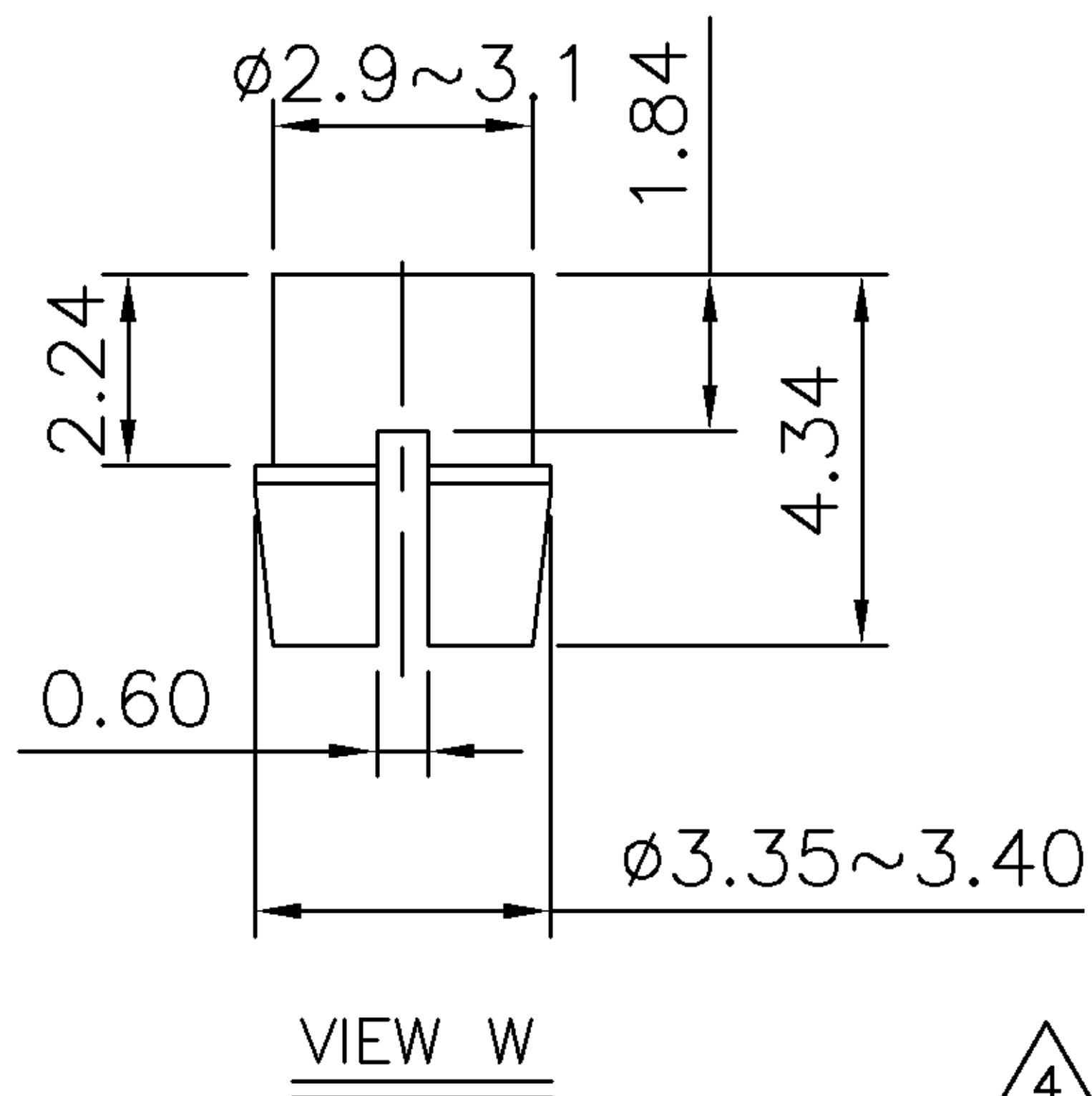
THIS INFORMATION IS CONFIDENTIAL AND IS DISCLOSED TO YOU ON CONDITION THAT NO FURTHER DISCLOSURE IS MADE BY YOU TO OTHER THAN AMP PERSONNEL WITHOUT WRITTEN AUTHORIZATION FROM AMP (TAIWAN) LTD. DIMENSIONS IN MILLIMETERS. DO NOT SCALE PRINT.

NUMBER
C-1775211

METRIC
3RD ANGLE PROJECTION



RECOMMENDED PCB LAYOUT (THICKNESS: 1.6mm)
DIMENSION TOLERANCE: 1 PLC: ±0.1 2PLC: ±0.05



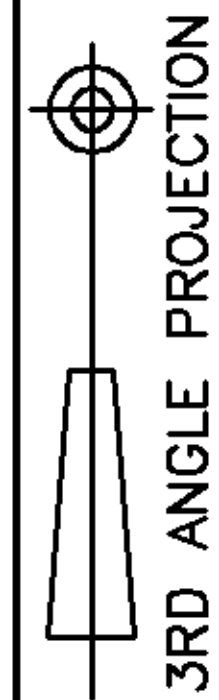
- NOTE:
- MATERIAL:
HOUSING: THERMOPLASTIC HIGH TEMP., UL 94V-0, COLOR: GRAY(PANTONE 400C).
CONTACT: PHOSPHOR BRONZE, THICKNESS=0.35mm.
 - FINISH:
CONTACT: GOLD PLATED (SEE TABLE) IN CONTACT AREA, GOLD FLASH ON SOLDER TAILS, 50u" MIN. NICKEL UNDERPLATED ALL OVER.
 - REFLOW SOLDER CAPABLE TO 260°C PER TYCO SPEC 109-201, CONDITION B.
- 4 OBSOLETE PARTS: OBSOLETE CIS STREAMLINING PER D.RENAUD/D.SINISI

4 OBSOLETE	6P2C	50μ"	1775211-4
		30μ"	1775211-3
		15μ"	1775211-2
		6μ"	1775211-1
POS./CONT.		GOLD PLATED	PART NUMBER

TOLERANCES UNLESS OTHERWISE SPECIFIED: 0 PLC ±0.50 1 PLC ±0.30 2 PLC ±0.20 3 PLC ±0.10 ANGLES ±3'		DWN O. HU 28-JUL-2005	tyco TYCO HOLDINGS (BERMUDA) VII LTD. TAIWAN BRANCH	
MATERIAL SEE NOTE		CHK S. HOU 28-JUL-2005	NAME MODULAR JACK, SIDE ENTRY, 6 POS, DIP TYPE	
FINISH SEE NOTE		APVD W.J. KE 28-JUL-2005	LOC DW	REV O1
		PRODUCT SPEC 108-57527	SIZE A ₃	DRAWING NO C-1775211
		QUALIFICATION TEST REPORT 501-57661	SCALE --	SHEET 1 OF 2
		WEIGHT 3.5 gram		

O1	REVISED PER	ECO-09-026495	KK AEG	01DEC09
O	FIRST RELEASED		OH SH	29JUL 2005
LTR	REVISION RECORD	ECN	DWN CHK	DATE

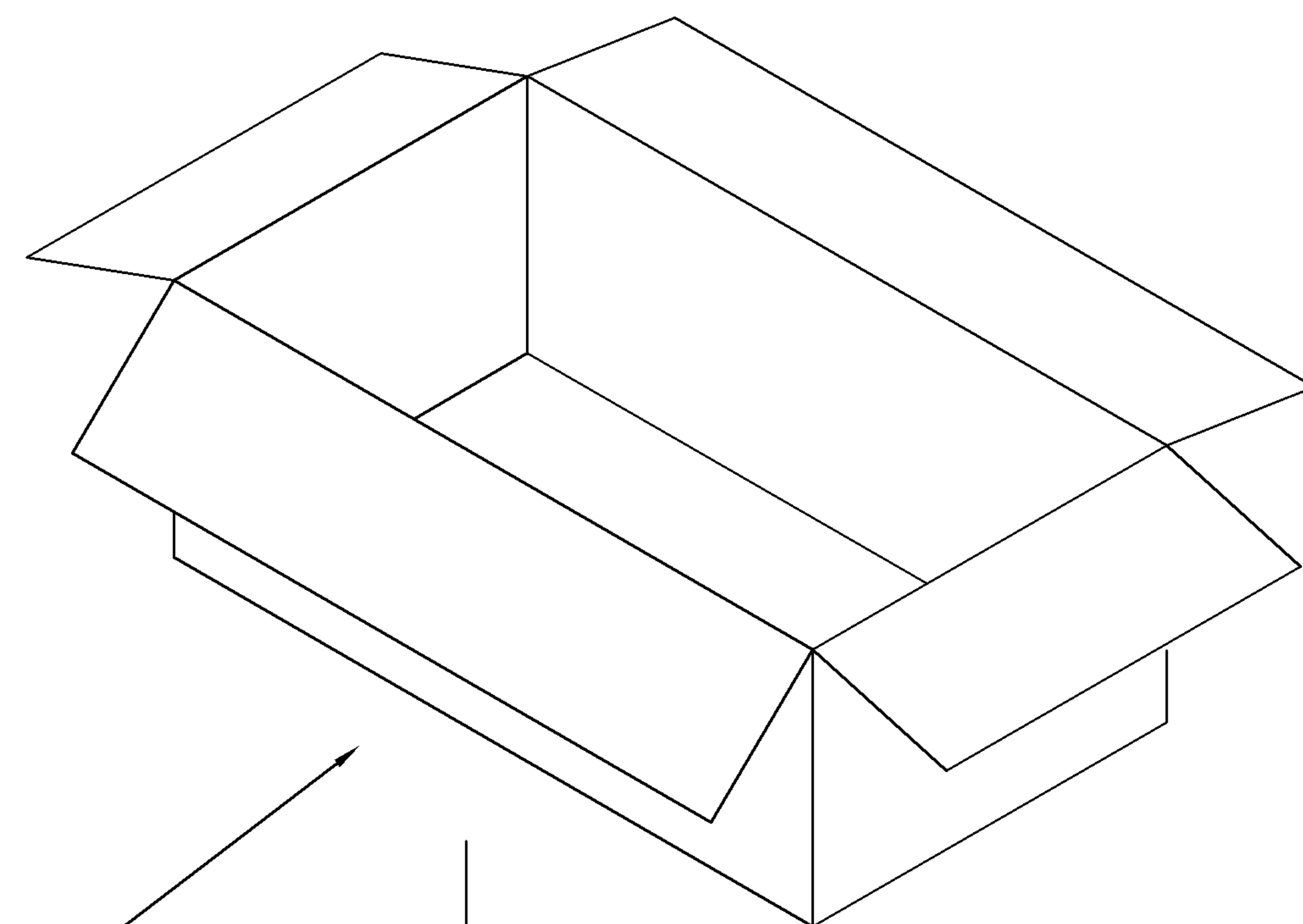
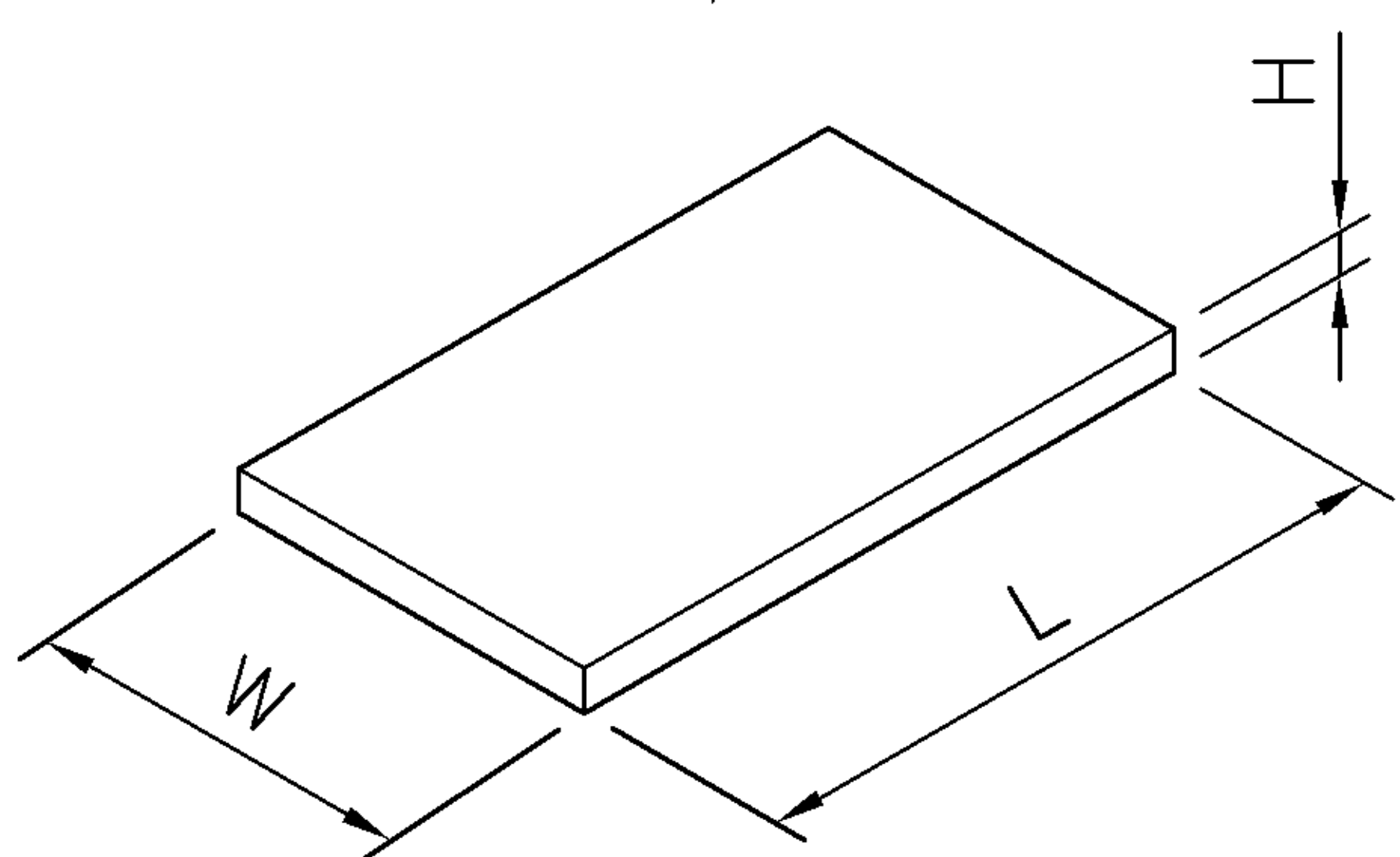
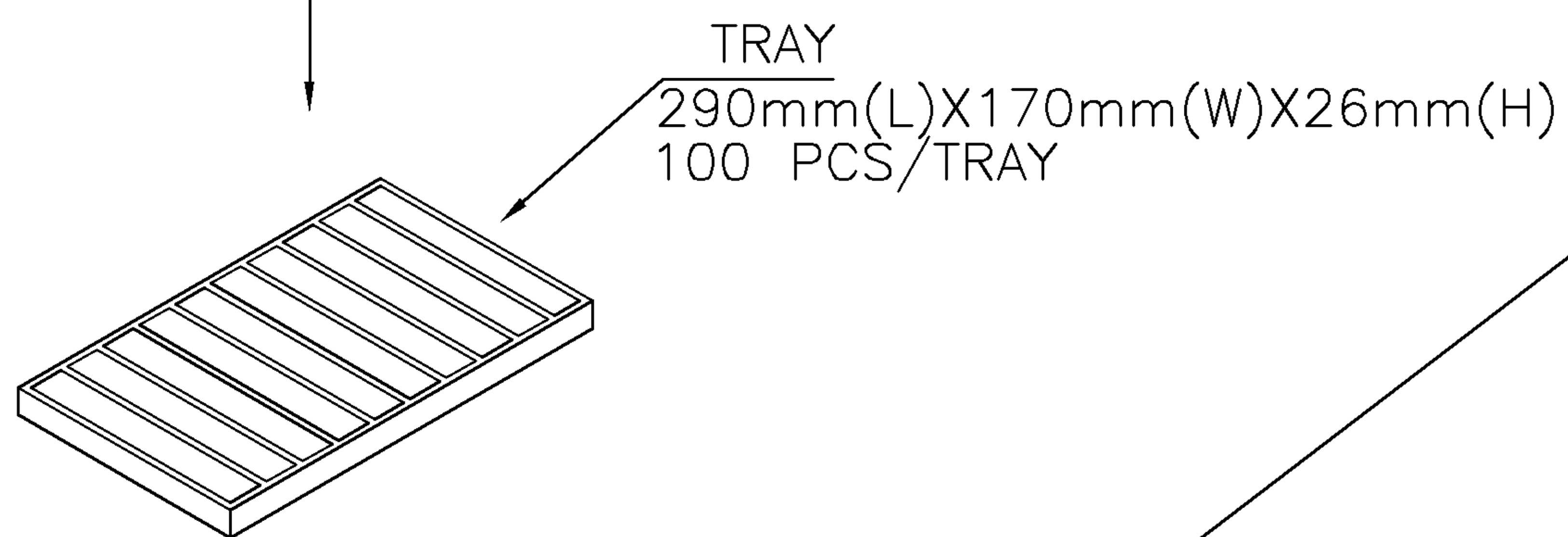
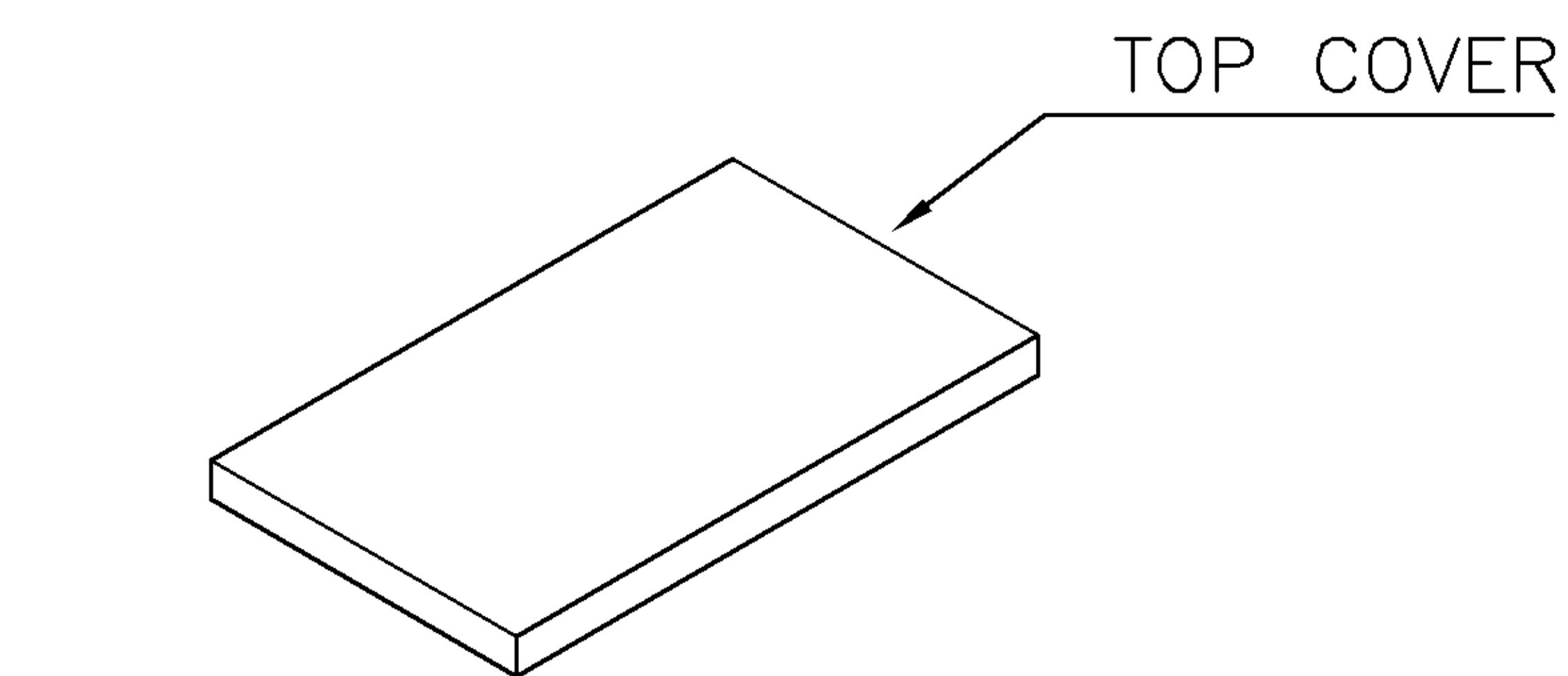
NUMBER
C-1775211



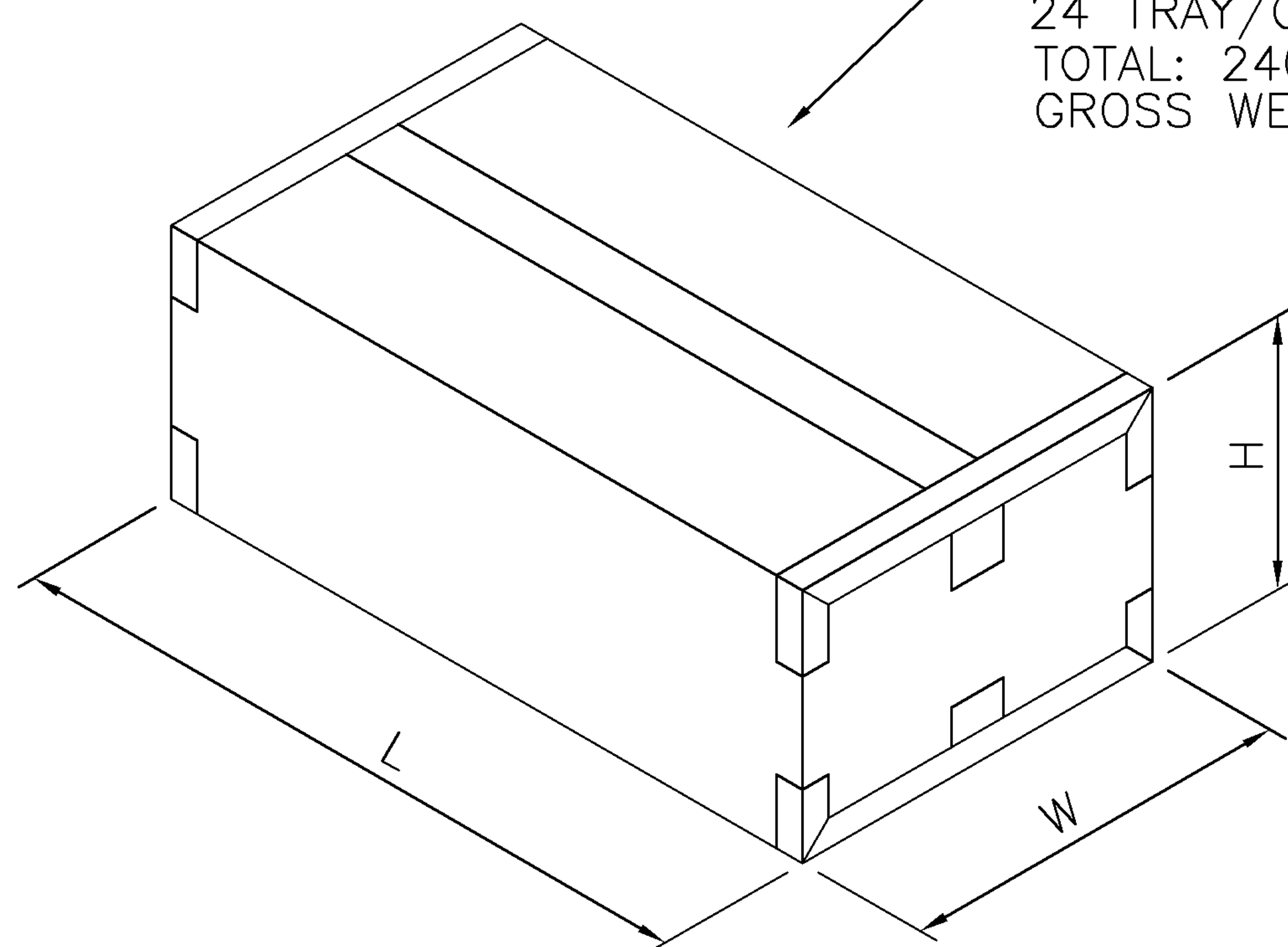
METRIC

THIS INFORMATION IS CONFIDENTIAL AND IS DISCLOSED TO YOU ON CONDITION THAT NO FURTHER DISCLOSURE IS MADE BY YOU TO OTHER THAN AMP PERSONNEL WITHOUT WRITTEN AUTHORIZATION FROM AMP (TAIWAN) LTD. DIMENSIONS IN MILLIMETERS. DO NOT SCALE PRINT.

PRINT
DW



CARTON
560mm(L)X310mm(W)X210mm(H)
24 TRAY/CARTON
TOTAL: 2400 PCS
GROSS WEIGHT: 10Kg (Ref.)



LTR	SEE SHEET 1.	ECN	DWN	CHK	DATE
	REVISION RECORD				

TOLERANCES UNLESS OTHERWISE SPECIFIED: 0 PLC ± 1 PLC ± 2 PLC ± 3 PLC ± ANGLES ±	DWN	O. HU	TYCO HOLDINGS (BERMUDA) VII LTD. TAIWAN BRANCH		
		28-JUL-2005			
MATERIAL SEE NOTE	CHK	S. HOU	NAME MODULAR JACK, SIDE ENTRY, 6 POS, DIP TYPE		
		28-JUL-2005			
FINISH SEE NOTE	APVD	W.J. KE	LOC	SIZE	DRAWING NO
		28-JUL-2005	DW	A ₃	C-1775211
	PRODUCT SPEC	--	SCALE	--	REV
	QUALIFICATION TEST REPORT	--	SHEET		O1
	WEIGHT	--	2 OF 2		