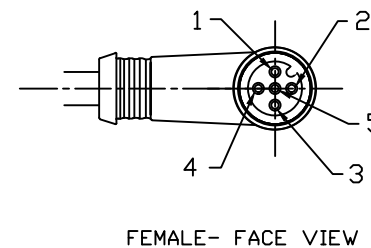
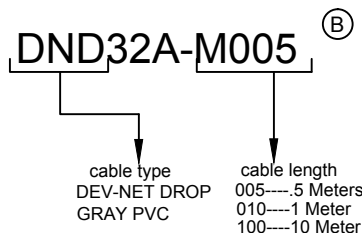
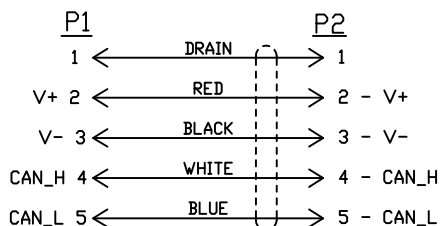
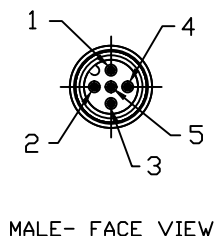
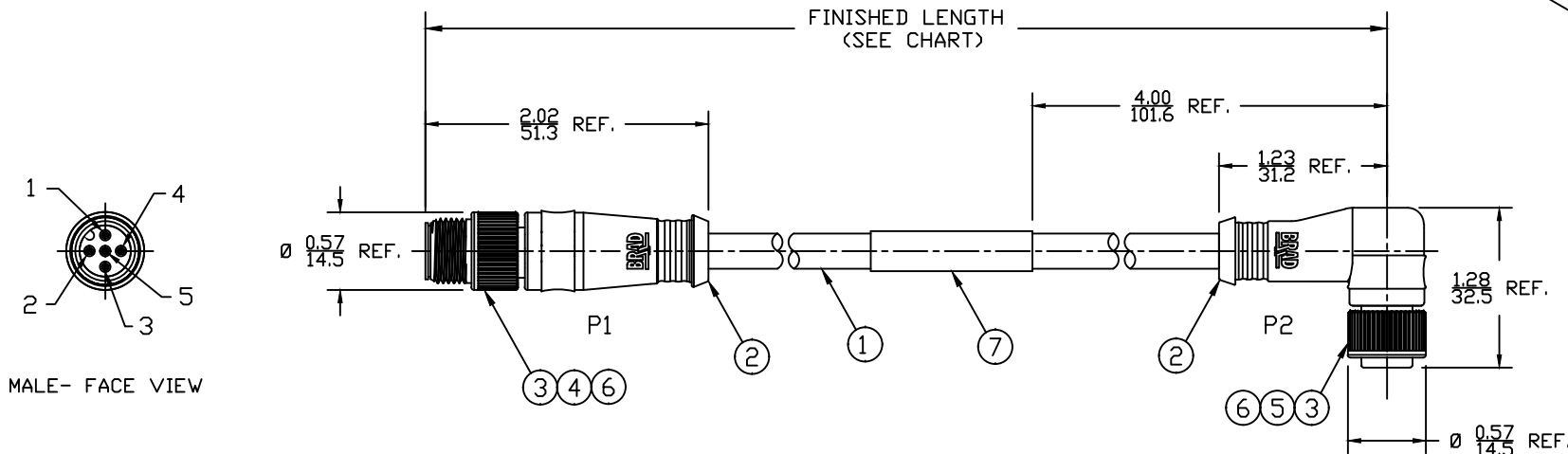
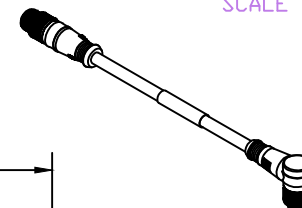


PART NUMBER	ENGINEERING NO.	LENGTH ± TOLERANCE
1300280112	DND32A-M005	1' 8" +1.75"/-0" [0.5M +44.5/-0 mm]
1300280113	DND32A-M007	2' 4" +1.75"/-0" [0.7M +44.5/-0 mm]
1300280085	DND32A-M010	3' 3" +2.19"/-0" [1M +55.6/-0 mm]
1300280089	DND32A-M030	9' 10" +3.50"/-0" [3M +88.9/-0 mm]
1300280091	DND32A-M050	16' 5" +6.50"/-0" [5M +165.1/-0 mm]

AUX VIEW
SCALE 1:4



- NOTES:
- MATERIAL: SEE TABLE
 - FINISHES: SEE TABLE
 - ELECTRICAL DATA:
MAX. VOLTAGE: 250V AC/DC
MAX. CURRENT: 4A
 - ENVIRONMENTAL:
PROTECTION: IP67 (WHEN MATED)
TEMPERATURE RANGE: -20°C TO 80°C
 - WRAP LABEL IS MARKED WITH P/N, DATE CODE, VOLTAGE & AMPERAGE.
 - DIMS SHOWN ARE FOR REFERENCE UNLESS NOTED OTHERWISE

ITEM	DESCRIPTION	MATERIAL	FINISH
7	LABEL	VINYL	BLACK/YELLOW
6	INSERT	NYLON	BLACK
5	SOCKET CONTACT	COPPER ALLOY	GOLD PLATED
4	PIN CONTACT	COPPER ALLOY	GOLD PLATED
3	M12 COUPLING NUT	ZINC DIE-CAST	BLACK
2	OVERMOLD	PVC	GRAY
1	DEVICENET DROP CABLE, 2P, SHLD	PVC JACKET	GRAY

ADD .5 & .7 PINS, REV'D NOTES
EC NO: IPC2017-0304 9/19/16
DRWN: RSTONE
CHKD: BWOODMAN
APPR: BWOODMAN

QUALITY SYMBOLS
=0
=0

GENERAL TOLERANCES (UNLESS SPECIFIED)

	mm	INCH
4 PLACES	±---	±---
3 PLACES	±---	±---
2 PLACES	±---	±---
1 PLACE	±---	±---

ANGULAR ±---°

DRAFT WHERE APPLICABLE MUST REMAIN WITHIN DIMENSIONS

DIMENSION STYLE IN/MM

SCALE ---

DESIGN UNITS INCH

THIRD ANGLE PROJECTION

DRAWN BY: VOU DATE: 2009/07/30

CHECKED BY: BWOODMAN DATE: 2009/07/31

APPROVED BY: --- DATE: ---

MATERIAL NO. SEE CHART

SIZE A

TITLE: M12 DEVICENET CABLE ASSY 5P MALE/FEM ST/90 #22/4 SHLD PVC -THIN STD

MOLEX INCORPORATED

DOCUMENT NO. SD-130028-002

SHEET NO. 1 OF 1

THIS DRAWING CONTAINS INFORMATION THAT IS PROPRIETARY TO MOLEX INCORPORATED AND SHOULD NOT BE USED WITHOUT WRITTEN PERMISSION