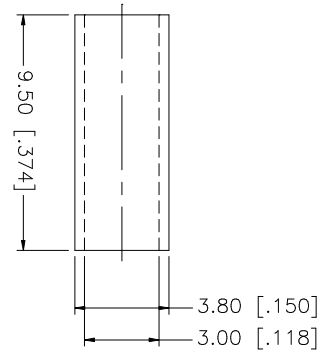
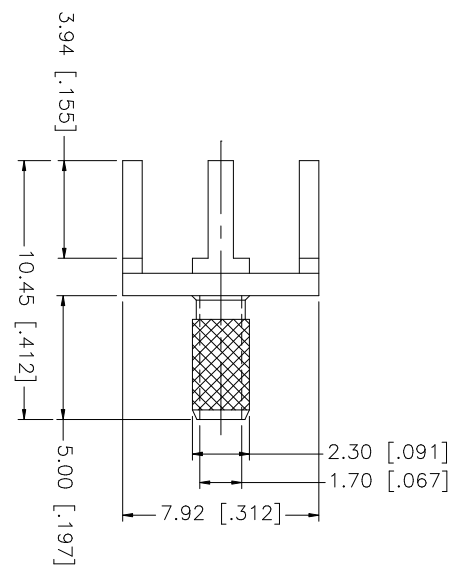
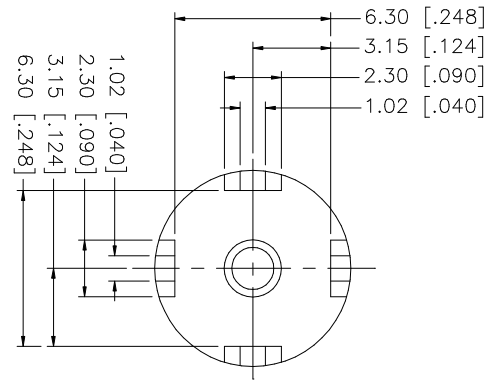
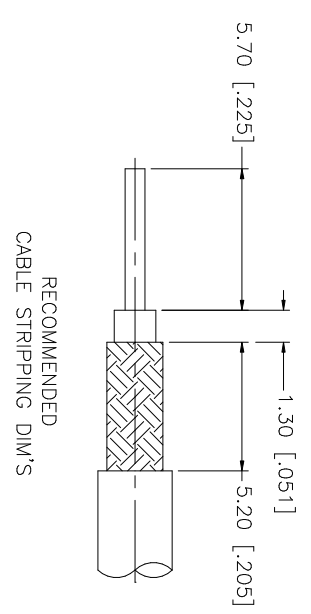
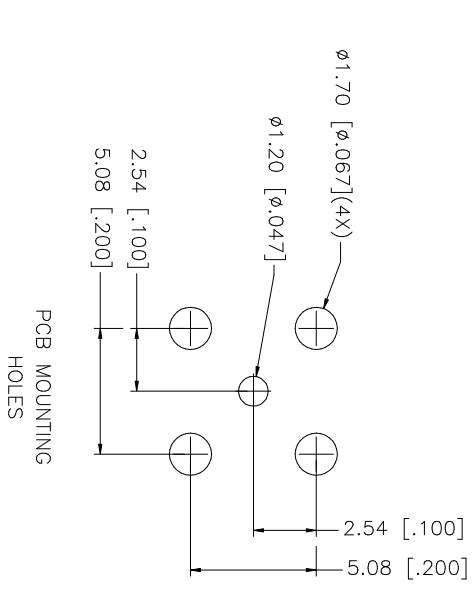


REV.	DATE	DESCRIPTION
A	06/05/03	UPDATE DRAWING FORMAT



NOTE:  
1. CRIMPED FERRULE  
HEX CRIMP SIZE .128"

QTY	FINISH	MATERIAL	DESCRIPTION
1	GOLD	BRASS	BODY
1	GOLD	COPPER	FERRULE

UNLESS OTHERWISE SPECIFIED DIMENSIONS ARE IN MILLIMETERS. DIMENSIONS IN [ ] ARE IN INCHES AND FOR CUSTOMER REFERENCE ONLY.	UNLESS OTHERWISE SPECIFIED DIMENSIONS ARE IN MILLIMETERS. DIMENSIONS IN [ ] ARE IN INCHES AND FOR CUSTOMER REFERENCE ONLY.
TOLERANCES FOR MILLIMETERS ARE:	TOLERANCES FOR MILLIMETERS ARE:
0.5 - 8mm ± 0.20mm	8 - 30mm ± 0.40mm
30 - 120mm ± 0.50mm	
TOLERANCES FOR INCHES ARE:	TOLERANCES FOR INCHES ARE:
.020 - .315 = ± 0.007"	.315 - 1.180 = ± 0.015"
1.180 - 4.724 = ± 0.020"	

APPROVALS	DATE
DRAWN G.R.S.	06/05/03
CHECKED	
ISSUED	
SHEET 1 OF 1	

PART DESCRIPTION	PART NO.
PCB MOUNT CABLE TERMINAL (FOR RG-174/U, 188A/U, 316/U)	142200

CAD FILE	DWG. NO.	REV.	SIZE	SCALE
C:/142/142200.DWG	142200.DWG	A	A	NA

**Amphenol Connex**