



## PRODUCT DATASHEET

### Lena series

last update 31/10/2016

## DETAILS

<b>Product Number</b>	CN13160_LENA-WAS
<b>Family</b>	Lena
<b>Type</b>	RefPack
<b>Color</b>	metal
<b>Diameter</b>	111 mm
<b>Height</b>	39 mm
<b>Style</b>	round
<b>Optic Material</b>	
<b>Holder Material</b>	
<b>Fastening</b>	socket
<b>Status</b>	production ready
<b>ROHS Compliant</b>	Yes
<b>Date Updated</b>	31/10/2016



## OPTICAL PROPERTIES

LED	Viewing Angle	Light Beam	Efficiency	cd/lm	Connector
BXRA ES Rectangle	Asymmetric deg	Asymmetric	80 %	1.130	-

D

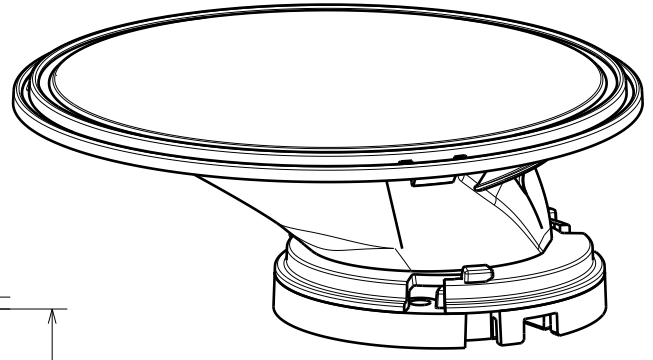
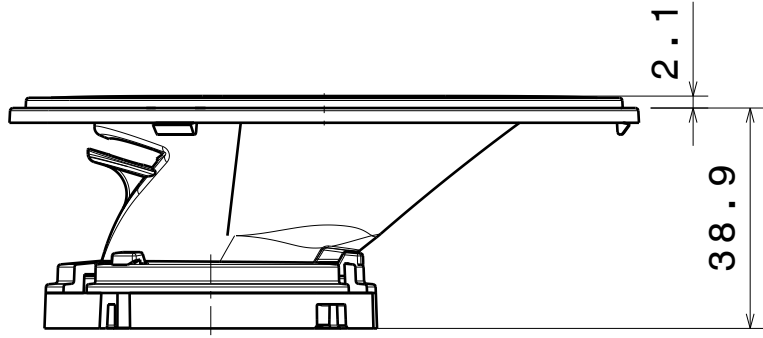
C

B

A

4

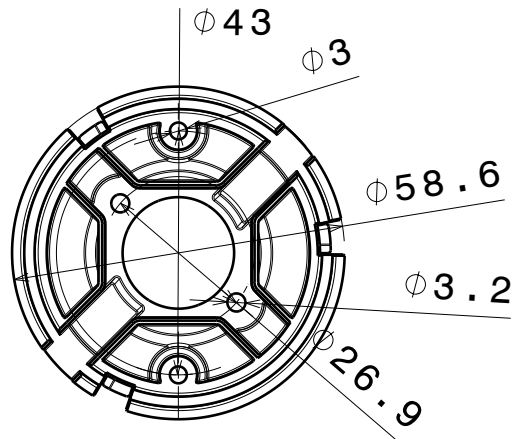
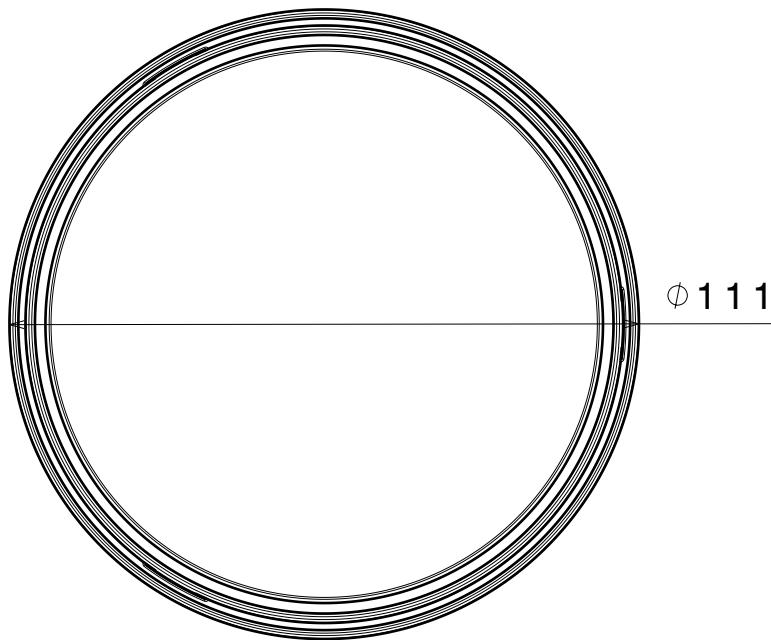
4



Isometric view

3

3



Materials

Reflector: PC  
 Base part: PC  
 Sublens: PC

Note: Using additional sublens add 2,1mm to total height.

2

2

1

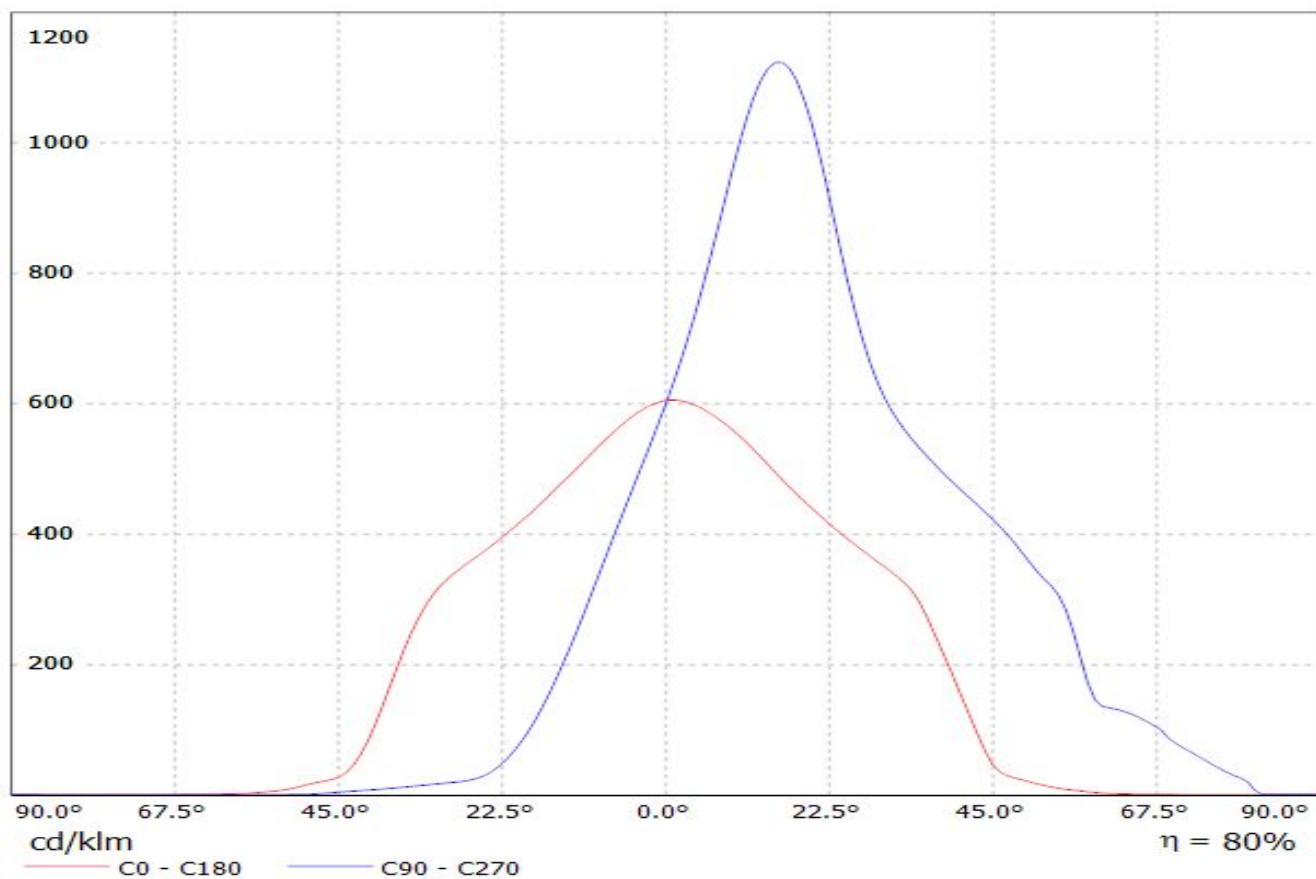
1

This drawing is our property. It can't be reproduced or communicated without our written agreement.		 Ledil Oy Salorankatu 10 FIN 24240 SALO Finland		DRAWING TITLE		Mechanical drawing			
DRAWN BY				DATE		LENA-WAS			
as		26.9.2012		SIZE		PART NUMBER		REV	
CHECKED BY		DATE		A4				001	
VS		-		SCALE		1:4		WEIGHT	
DESIGNED BY		DATE				- mg		SHEET 1/1	
-		-							

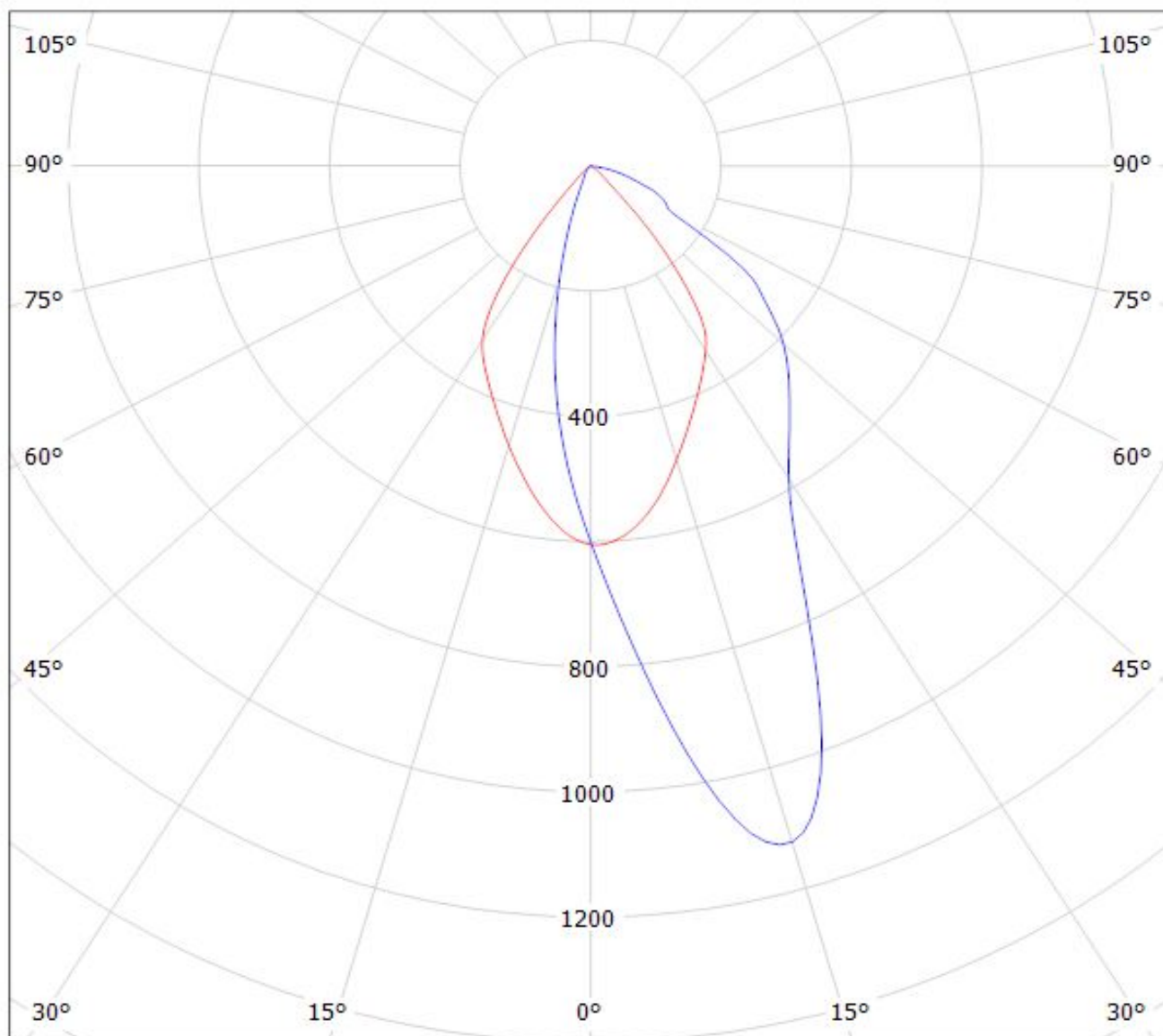
D

A

Luminaire: LEDiL Oy CN13160\_LENA-WAS\_(BXRA\_ES) Eff.79.6%  
Lamps: 1 x BXRA-W1203\_ES (297.805lm@250mA)



Luminaire: LEDiL Oy CN13160\_LENA-WAS\_(BXRA\_ES) Eff.79.6%  
Lamps: 1 x BXRA-W1203\_ES (297.805lm@250mA)



cd/klm

$\eta = 80\%$

— C0 - C180    — C90 - C270

**NOTE: The typical divergence will be changed by different color, chip size and chip position tolerance. The typical total divergence is the full angle measured where the luminous intensity is half of the peak value.**