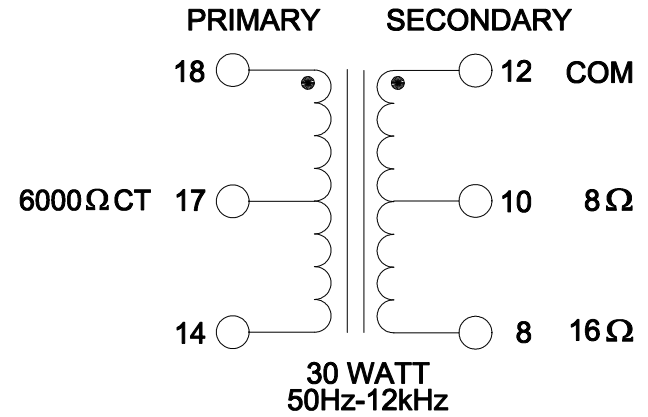
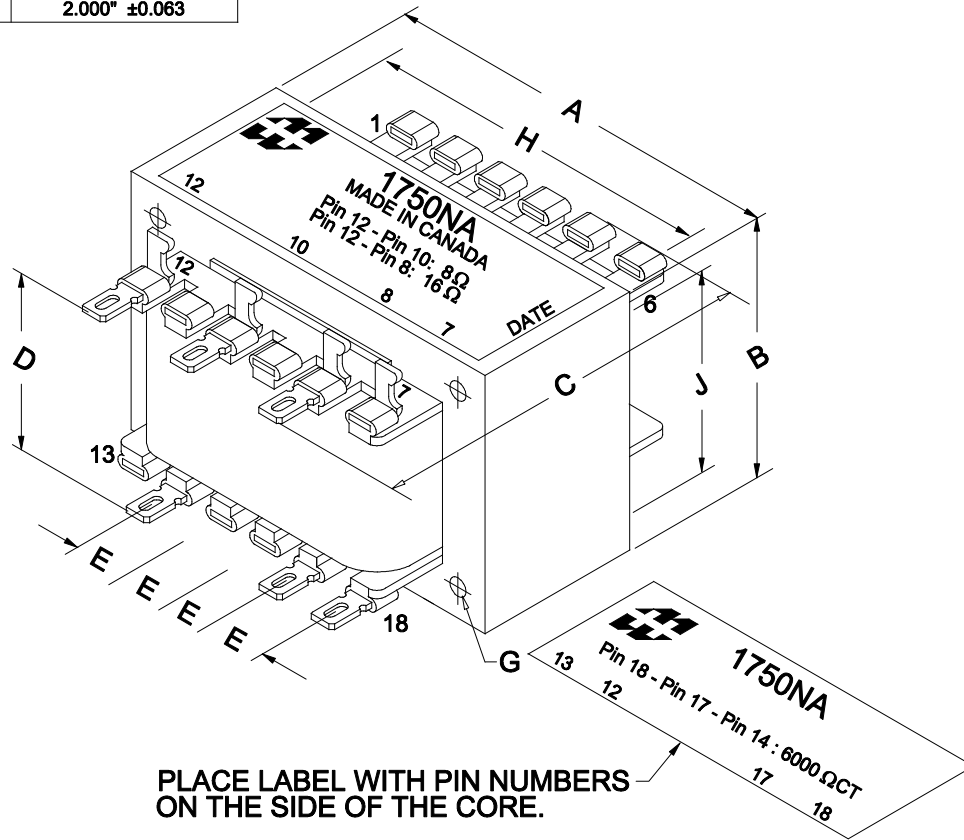


DIMENSIONS:	
A	3.000" ±0.063
B	2.500" ±0.125
C	2.465" ±0.063
D	1.600" ±0.063
E	0.300" ±0.030
G	0.219" ±0.010
H	2.500" ±0.063
J	2.000" ±0.063



ELECTRICAL DATA:		
TESTS	CONDITIONS	ACCEPTANCE CRITERIA
Iex	@ 240V, 400Hz, PIN 18 - PIN 14	9mA Max.
Sec. N.L.V	@ 240V, 400Hz, PIN 18 - PIN 14	
	PIN 18 - PIN 17 = PIN 17 - PIN 14 =	120.0V ±2%
	PIN 12 - PIN 8 =	15.81V ±2%
	PIN 12 - PIN 10 =	11.14V ±2%
	PIN 10 - PIN 8 =	4.671V ±2%
POLARITY	PIN 18, PIN 12	ADDITIVE
DCR	@ 20°C, PIN 18 - PIN 14 =	147.4 Ω ±20%
	@ 20°C, PIN 18 - PIN 17 =	74.41 Ω ±20%
	@ 20°C, PIN 17 - PIN 14 =	73.20 Ω ±20%
	@ 20°C, PIN 12 - PIN 8 =	0.820 Ω ±20%
	@ 20°C, PIN 12 - PIN 10 =	0.580 Ω ±20%
	@ 20°C, PIN 10 - PIN 8 =	0.300 Ω ±20%
HIPOT	PRIMARY - SECONDARY	2500V, 60Hz, 1 SEC

REV.#	REVISION	DATE	HAMMOND ELECTRONIC DIVISION		PH # (519) 886-6181 FAX # (519) 886-9540
0	RELEASED.	05/10/11	MANUFACTURING™		
			DWG. BY: C. ILIE	CHK'D BY:	TITLE: 1750NA
			DATE: 05/10/11	APP'D. BY:	TRANSFORMER
				DIMENSIONS: IN(X) MM()	DWG. NO. 1750NA