

**Product number CA11663\_HEIDI-RS**

Family	Heidi	FWHM	10 degrees
Type	Assembly	Efficiency	90 %
LED	XB-H	cd/lm	18.300
Color	Clear	Gerber File	Available
Diameter	21.6 mm		
Height	11.7 mm		
Style	Round		
Optic Material	PMMA		
Holder Material	-		
Fastening	["pin", "tape"]		
Status	Production ready		

**Product number CA11264\_HEIDI-D**

Family	Heidi	FWHM	11 degrees
Type	Assembly	Efficiency	87 %
LED	XB-H	cd/lm	12.700
Color	Clear	Gerber File	Available
Diameter	21.6 mm		
Height	11.7 mm		
Style	Round		
Optic Material	PMMA		
Holder Material	-		
Fastening	["pin", "tape"]		
Status	Production ready		

**Product number CA11267\_HEIDI-O-90**

Family	Heidi	FWHM	11+52 degrees
Type	Assembly	Efficiency	80 %
LED	XB-H	cd/lm	3.200
Color	Clear	Gerber File	Available
Diameter	21.6 mm		
Height	12.1 mm		
Style	Round		
Optic Material	PMMA		
Holder Material	-		
Fastening	["tape", "pin"]		
Status	Production ready		

**Product number CA11265\_HEIDI-M**

Family	Heidi	FWHM	27 degrees
Type	Assembly	Efficiency	87 %
LED	XB-H	cd/lm	3.400
Color	Clear	Gerber File	Available
Diameter	21.6 mm		
Height	11.7 mm		
Style	Round		
Optic Material	PMMA		
Holder Material	-		
Fastening	["tape", "pin"]		
Status	Production ready		

**Product number CA11268\_HEIDI-W**

Family	Heidi	FWHM	33 degrees
Type	Assembly	Efficiency	88 %
LED	XB-H	cd/lm	2.300
Color	Clear	Gerber File	Available
Diameter	21.6 mm		
Height	11.7 mm		
Style	Round		
Optic Material	PMMA		
Holder Material	-		
Fastening	["pin", "tape"]		
Status	Production ready		

**Product number CA12079\_HEIDI-W2**

Family	Heidi	FWHM	45 degrees
Type	Assembly	Efficiency	80 %
LED	XB-H	cd/lm	1.200
Color	Clear	Gerber File	Available
Diameter	21.6 mm		
Height	12 mm		
Style	Round		
Optic Material	PMMA		
Holder Material	-		
Fastening	["tape", "pin"]		
Status	Production ready		

**Product number CA11266\_HEIDI-O**

Family	Heidi	FWHM	53+11 degrees
Type	Assembly	Efficiency	83 %
LED	XB-H	cd/lm	3.300
Color	Clear	Gerber File	Available
Diameter	21.6 mm		
Height	11.7 mm		
Style	Round		
Optic Material	PMMA		
Holder Material	-		
Fastening	["pin", "tape"]		
Status	Production ready		

**NOTE: The typical divergence will be changed by different color, chip size and chip position tolerance. The typical total divergence is the full angle measured where the luminous intensity is half of the peak value.**



## PRODUCT DATASHEET

### Heidi series

last update 8/6/2016

#### GENERAL INFORMATION

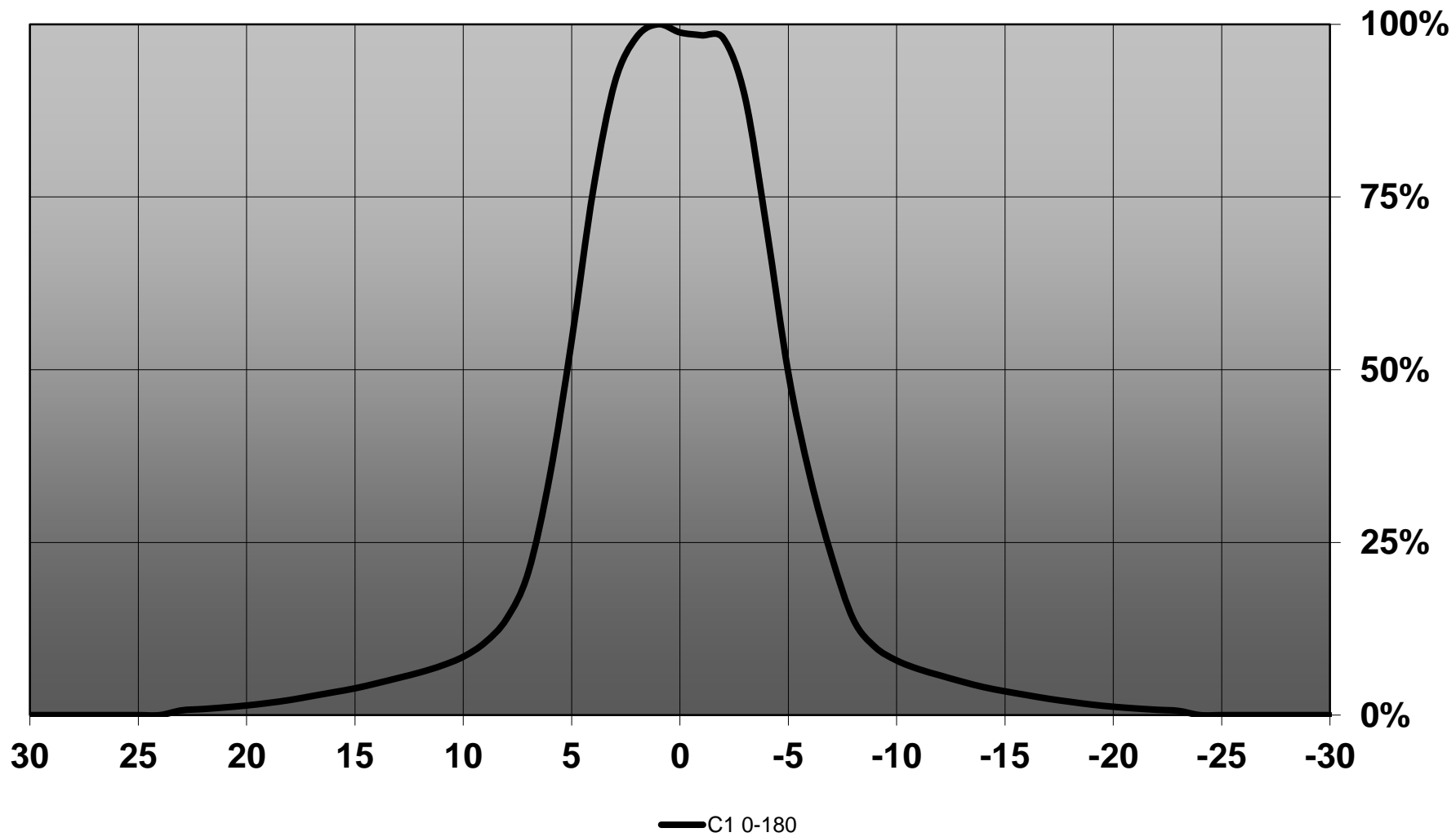
- Product series especially designed & optimized for XB-H series of LEDs.
- Special care taken to make light distribution as uniform as possible.
- Lens material optical grade PMMA with high UV and temperature resistance. Allows use of high current and temperature conditions.

Please find more information about used material from below:

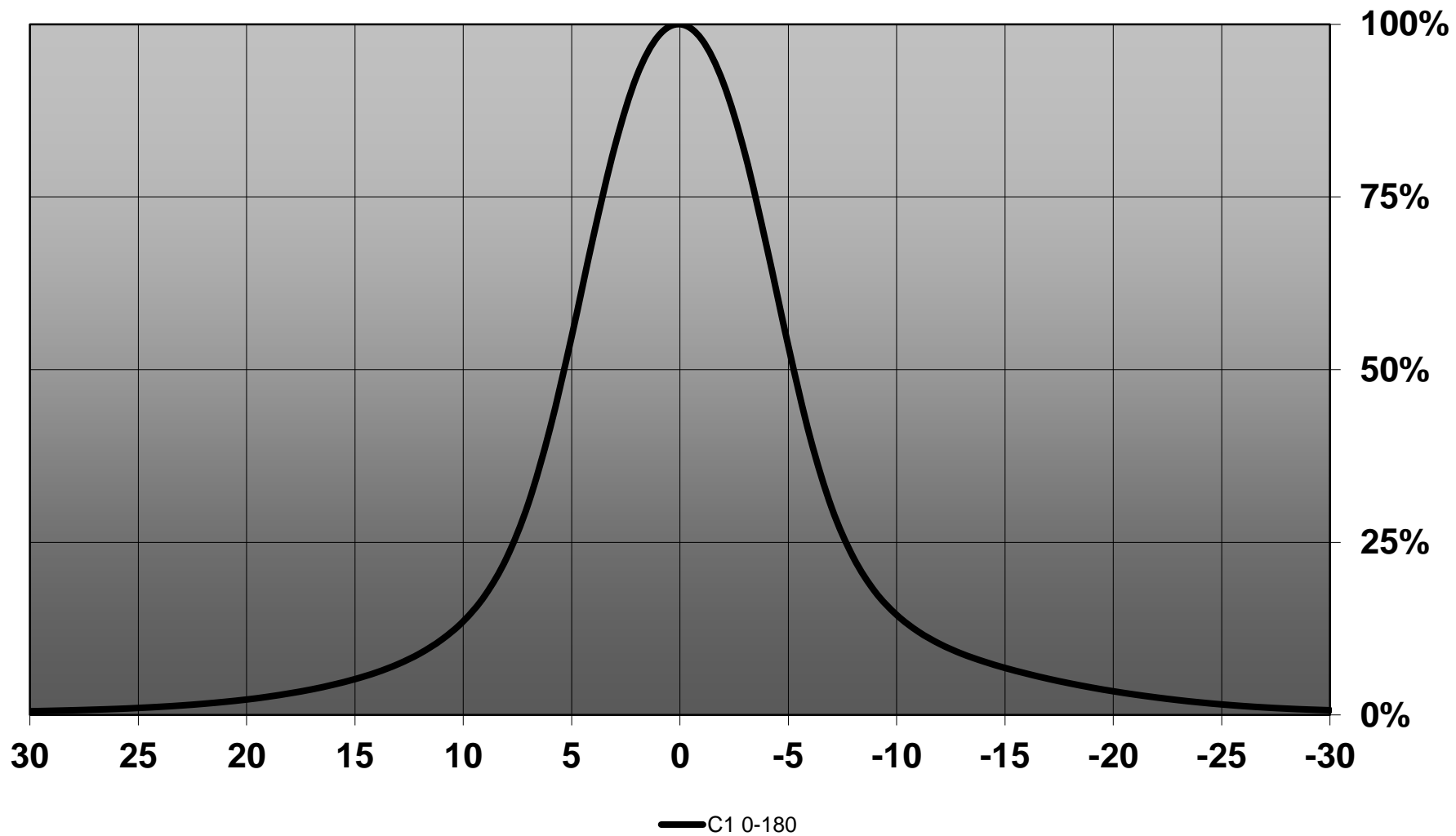
[http://ledil.fi/sites/default/files/Documents/Technical/Material/PMMA%20N%20UL94\\_Yellow%20Card.pdf](http://ledil.fi/sites/default/files/Documents/Technical/Material/PMMA%20N%20UL94_Yellow%20Card.pdf)

<http://ledil.fi/sites/default/files/Documents/Technical/Material/PMMA%20N%20PLEXIGLAS-Datasheet.pdf>

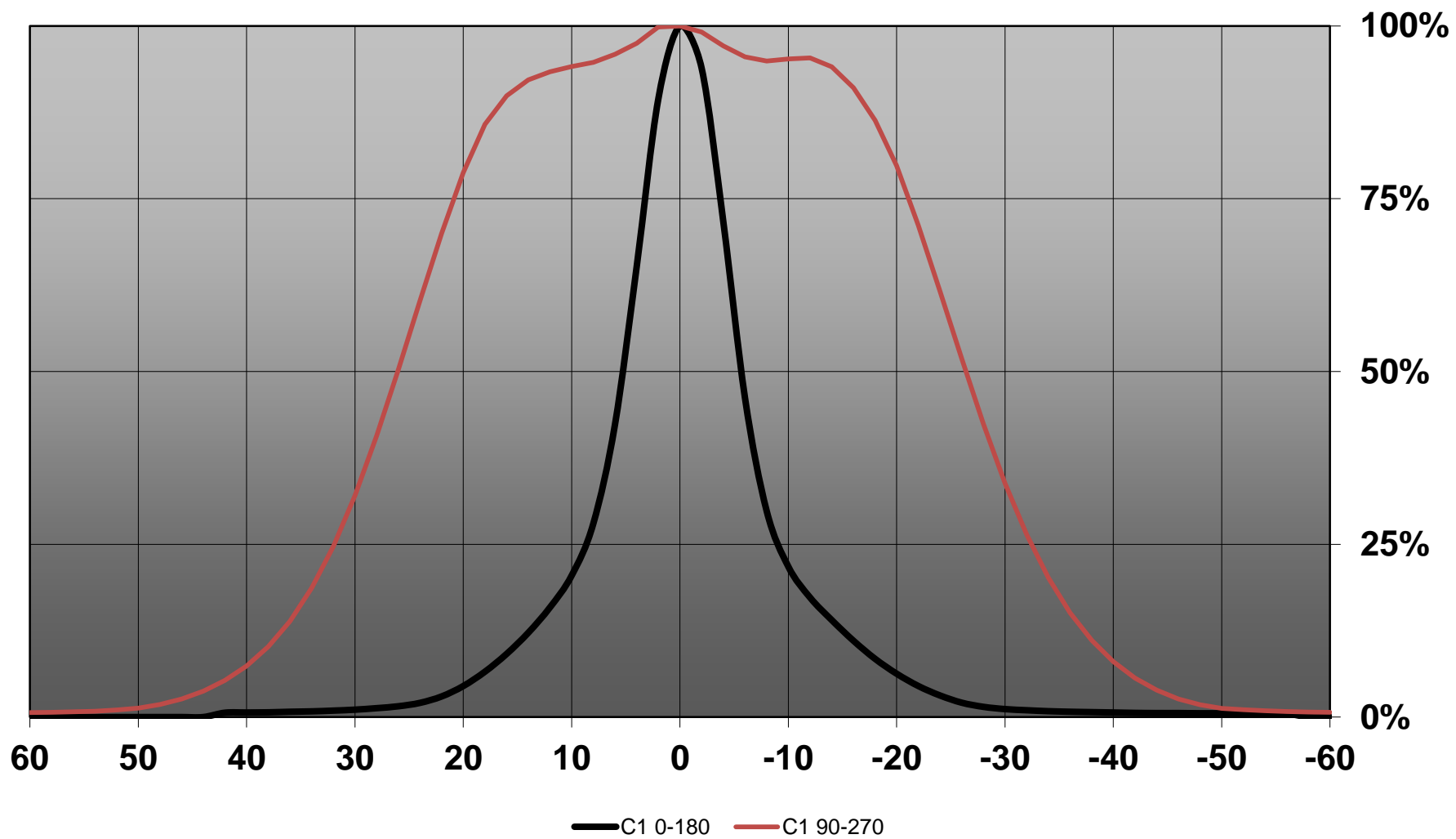
# Relative intensity of CA11663\_HEIDI-RS\_(XB-H)



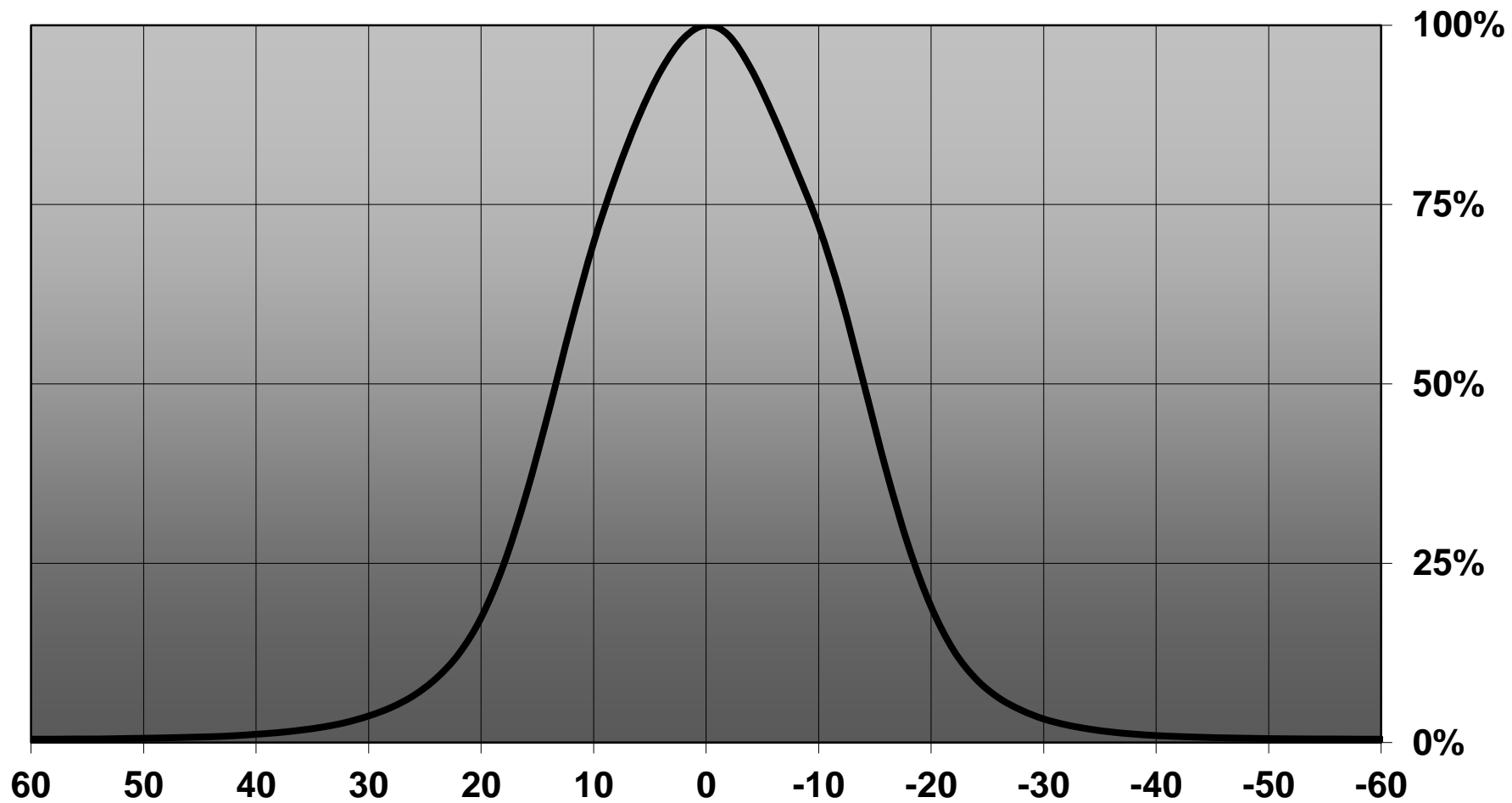
# Relative intensity of CA11264\_HEIDI-D\_(XB-H)



### Relative intensity of CA11267\_HEIDI-O-90\_(XB-H)

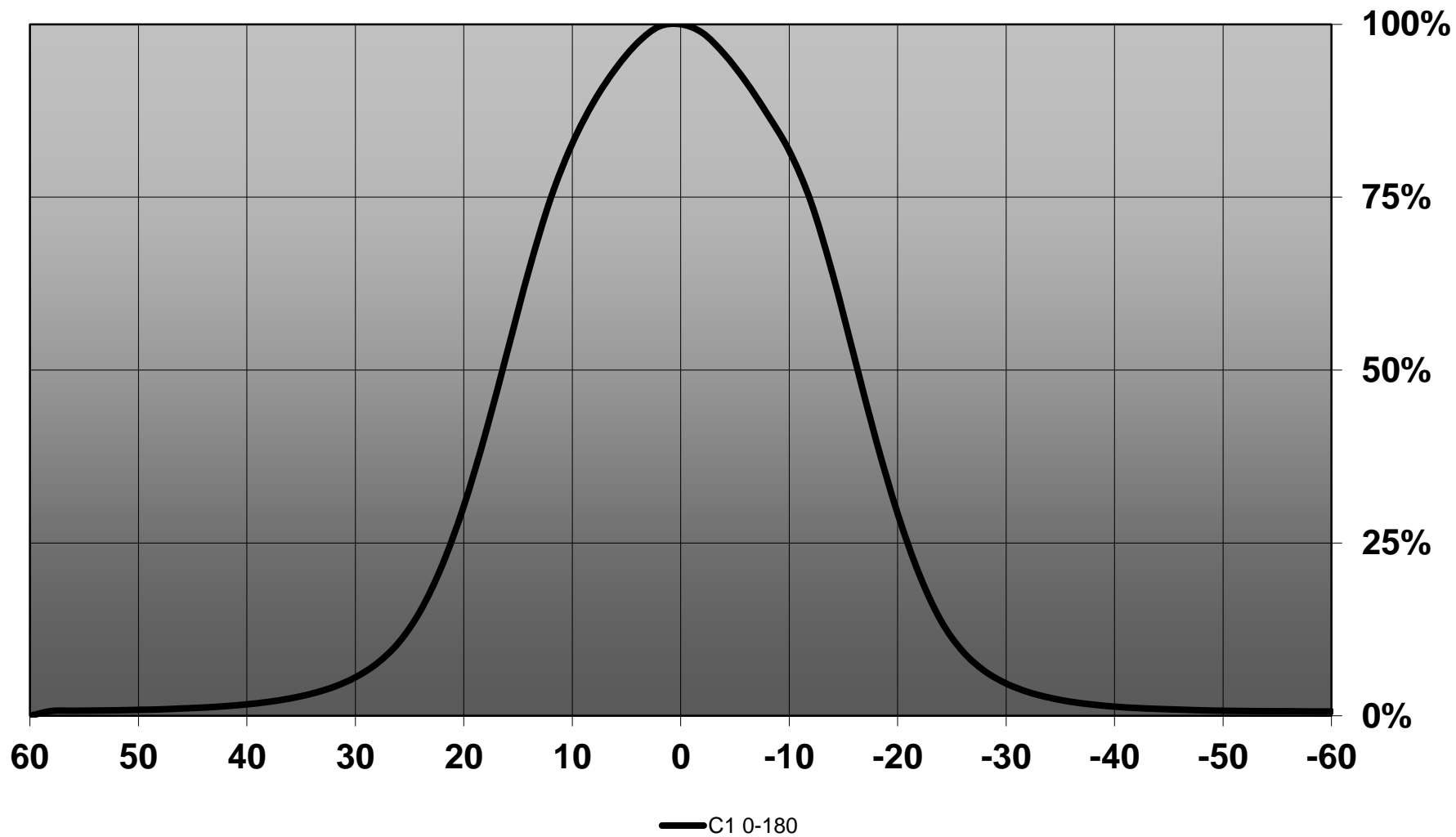


### Relative intensity of CA11265\_HEIDI-M\_(XB-H)



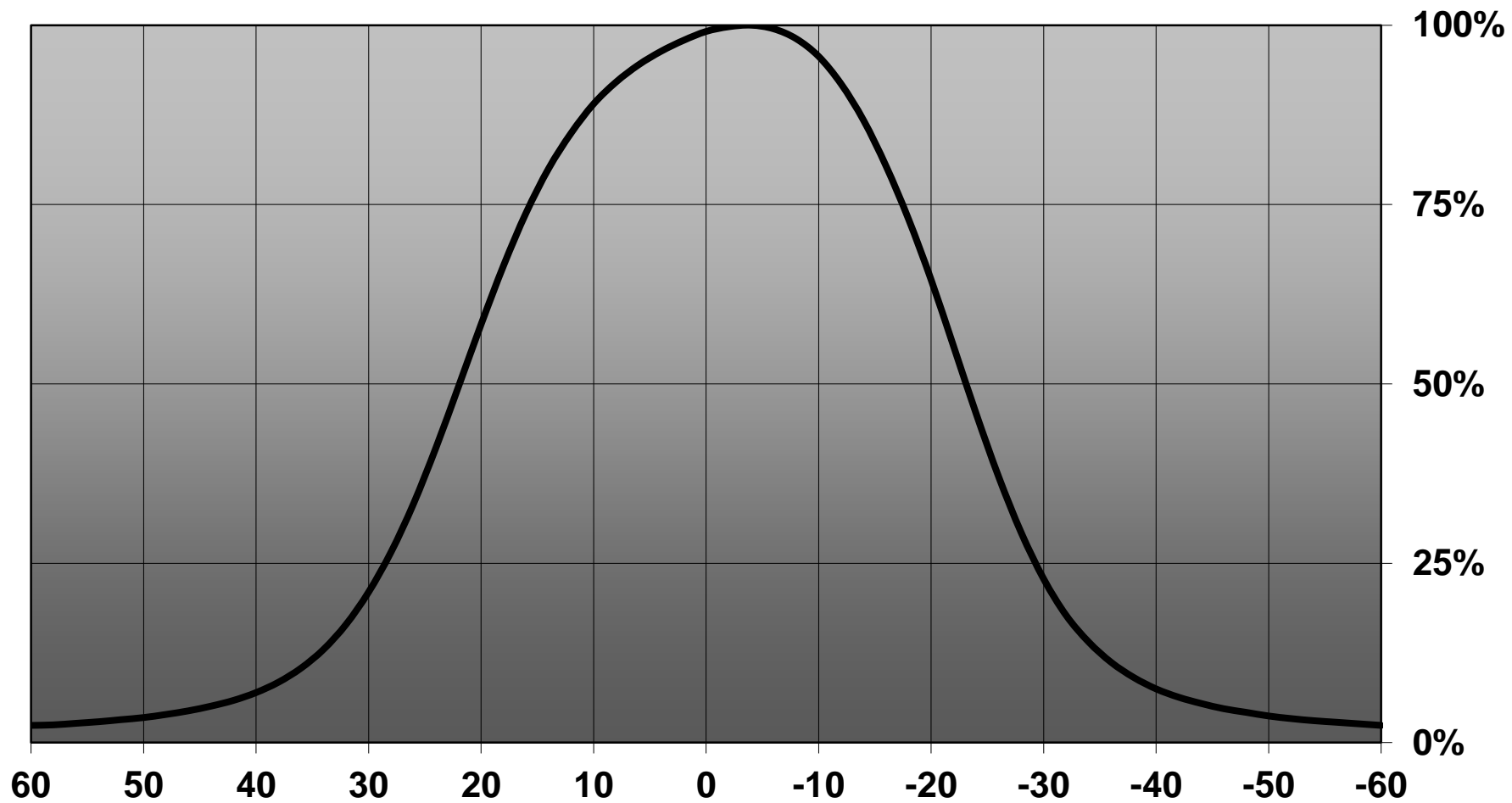
— C1 0-180

### Relative intensity of CA11268\_HEIDI-W\_(XB-H)



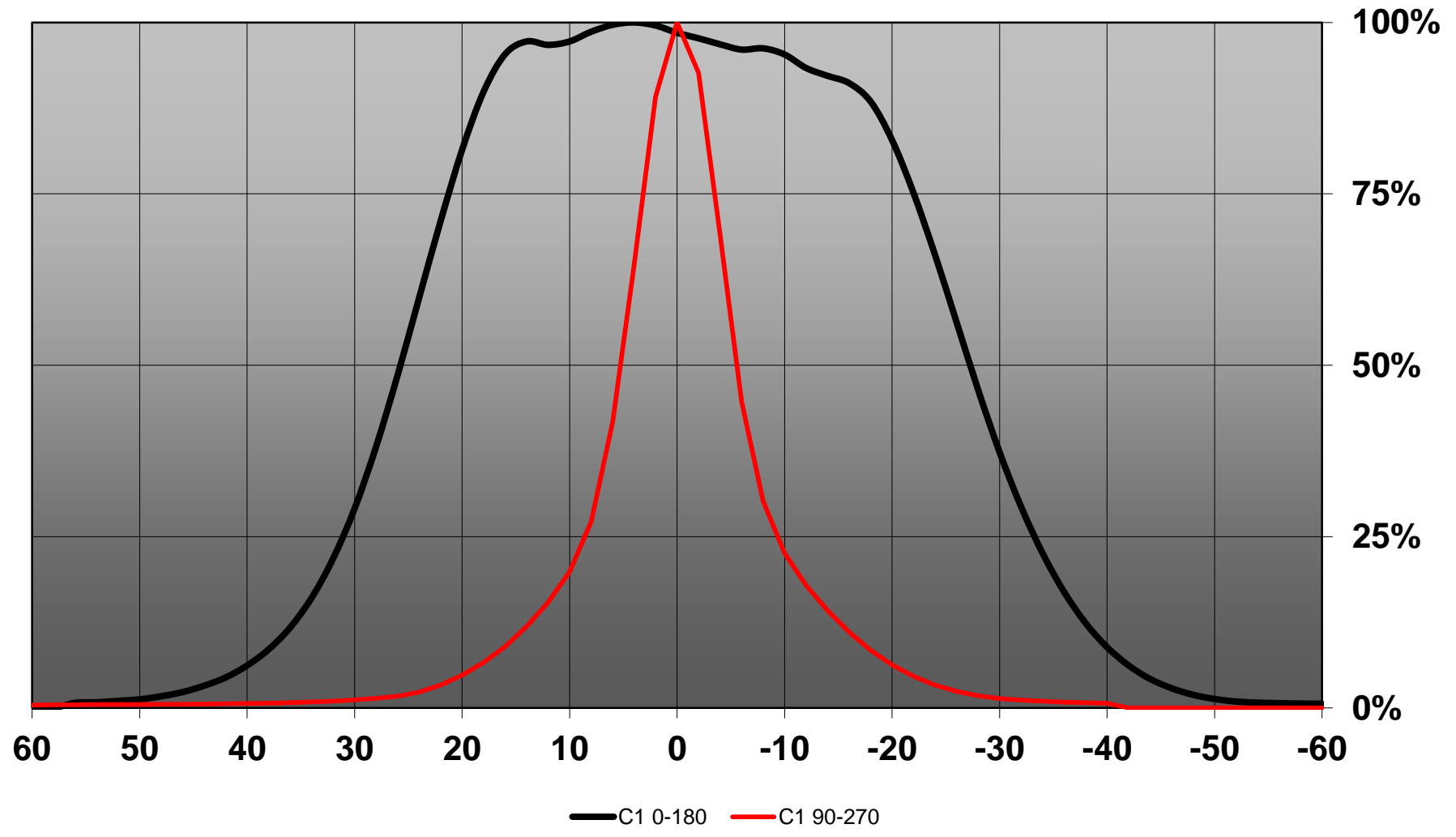


### Relative intensity of CA12079\_HEIDI-W2\_(XB-H)



— C1 0-180

### Relative intensity of CA11266\_HEIDI-O\_(XB-H)



D

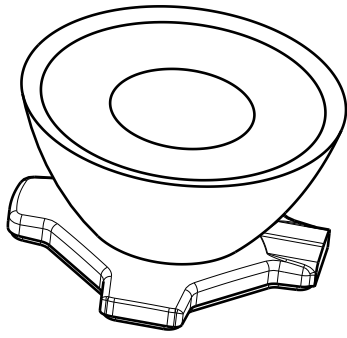
C

B

A

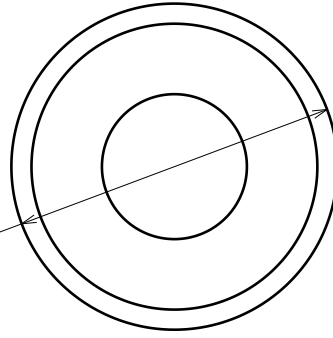
4

4



Isometric view

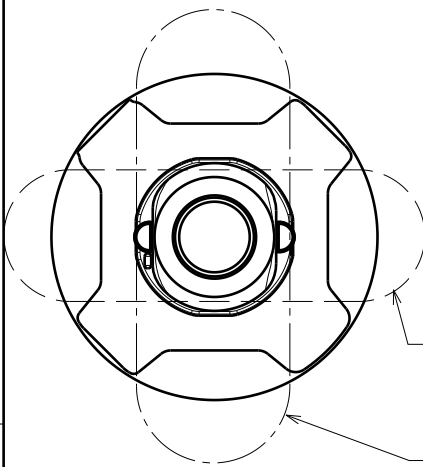
$\phi 21.6$



Top view

3

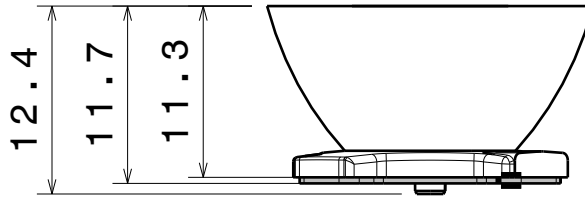
3



Bottom view  
OVAL BEAM direction

Heidi-0

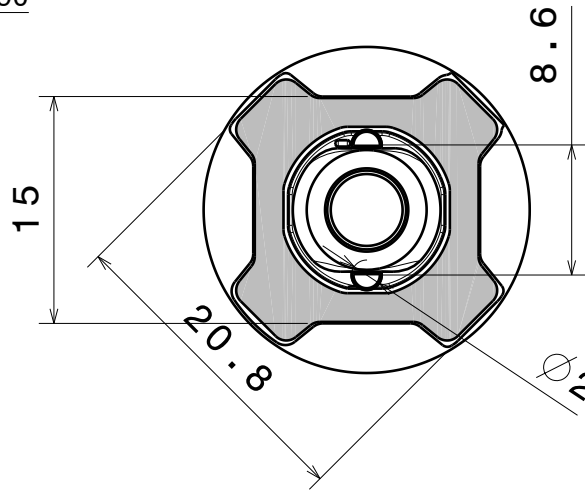
Heidi-0-90



Front view

2

2



8.6  
Between pin midpoints

Bottom view

Material:  
Lens PMMA  
Tape PU Foam

This drawing is our property.  
It can't be reproduced  
or communicated without  
our written agreement.



Ledil Oy  
Salorankatu 10  
FIN-24100 SALO  
Finland

DRAWING TITLE

Datasheet Heidi-Series Assy

DRAWN BY  
ah

DATE  
1.2.2012

CHECKED BY

DATE

SIZE  
A4

DRAWING NUMBER

REV  
2

DESIGNED BY

DATE

SCALE 2:1 WEIGHT (g)

SHEET 1/1

D

A

1

1