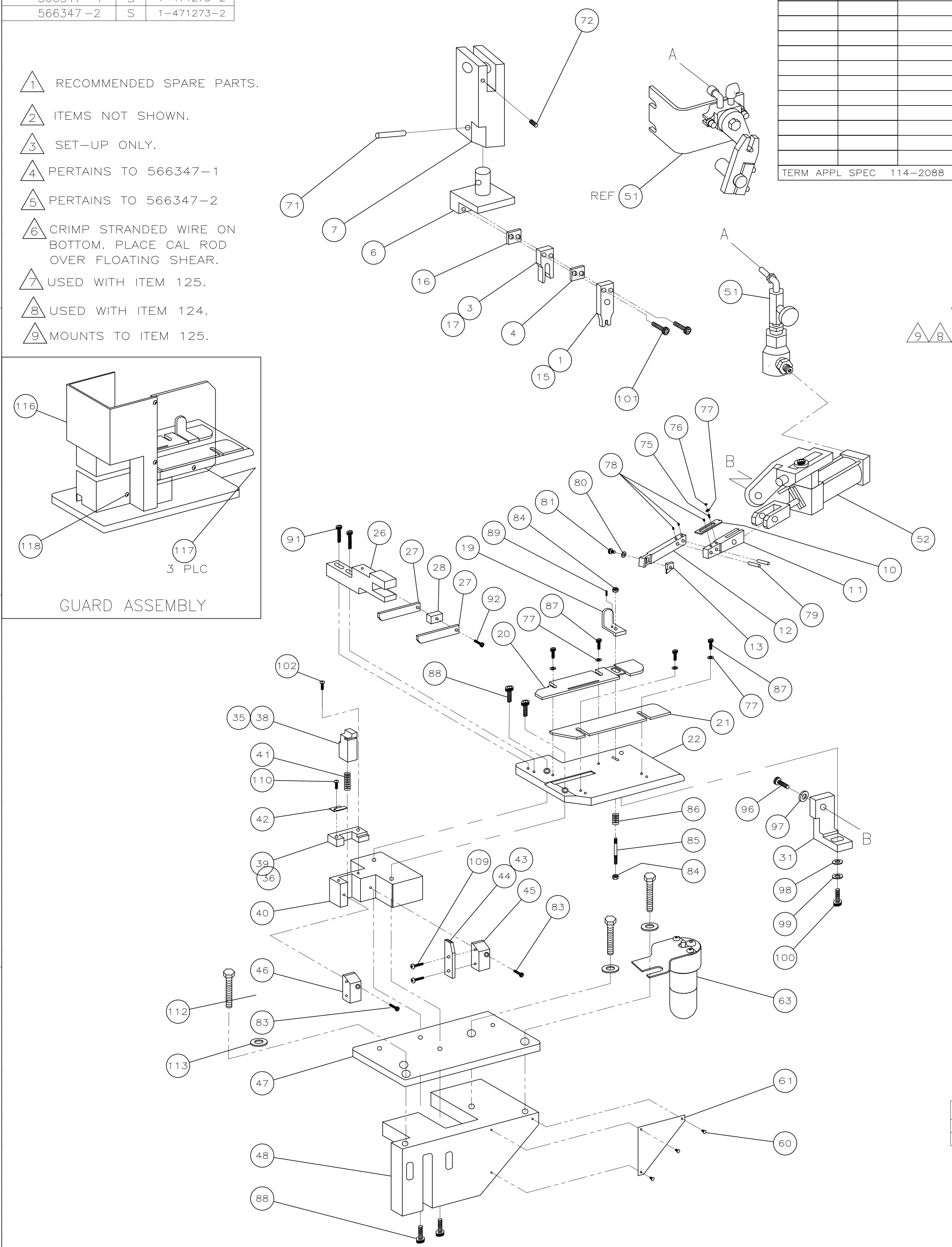
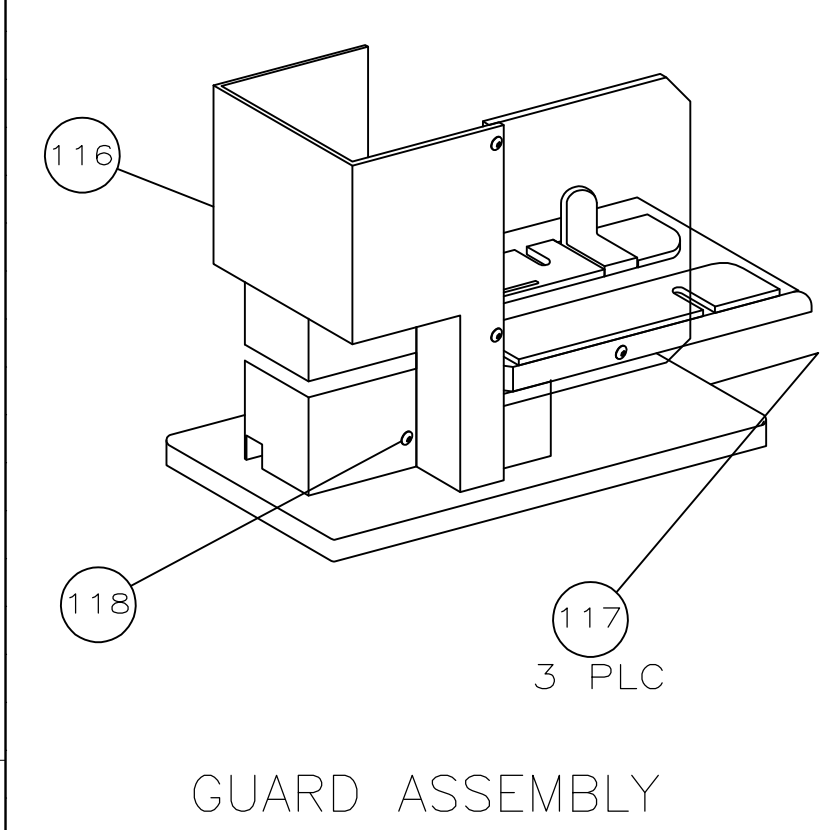


PART NUMBER	REV	FIRST USED
566347-1	S	1-471273-2
566347-2	S	1-471273-2

- 1 RECOMMENDED SPARE PARTS.
- 2 ITEMS NOT SHOWN.
- 3 SET-UP ONLY.
- 4 PERTAINS TO 566347-1
- 5 PERTAINS TO 566347-2
- 6 CRIMP STRANDED WIRE ON BOTTOM. PLACE CAL ROD OVER FLOATING SHEAR.
- 7 USED WITH ITEM 125.
- 8 USED WITH ITEM 124.
- 9 MOUNTS TO ITEM 125.



TERMINAL NAME:	
	SPLICE
	61299
TERM APPL SPEC 114-2088	

CRIMPING DATA			
PAD LTR	CRIMP HEIGHT	WIRE SIZE	
-	.145	(2)12 STRANDED	
-	.160	Ø.090 CAL ROD & 18 STRANDED	
-	-	-	
-	-	-	
CRIMP	SIZE	TYPE	RANGE
WIRE 4	.180	F	10,000-16,000 CMA
WIRE 5	.160	F	10,000-16,000 CMA
FEED	APPL INST	SET UP GAGE	LAYOUT
.620	408-8012	-	-
WIRE STRIP LENGTH .250-.280			

QTY	REV	U/M	PART NO	DESCRIPTION	ITEM NO
1	1	-	815933-1	MOUNT, REEL BRACKET	125
1	1	-	461903-1	BRACKET, AIR SWITCH SHROUD	124
1	1	-	461904-1	SHROUD, AIR SWITCH	123
2	2	-	2-21000-7	SCR, SHC(8-32X.50)	122
2	2	-	2-21002-0	SCR, BHC(8-32X.25)	121
2	2	-	3-21001-8	SCR,SHC(3/8 -16X1.75)	120
-	-	-	-	-	119
1	1	-	2-21002-2	SCR, BHC(8-32X.50)	118
3	3	-	2-21002-0	SCR, SHC(8-32X.25)	117
1	1	-	816304-1	GUARD ASSEMBLY	116
-	-	-	-	-	115
-	-	-	-	-	114
3	3	-	371178	BASE MOUNT WASHER	113
3	3	-	3-21015-1	SCR, HEX HD 3/8-16 X 1.00	112
-	-	-	-	-	111
1	1	-	1-21002-6	SCR,BHC(6-32x.25)	110
2	2	-	2-21002-2	SCR, BHC 8-32 X .50	109
-	-	-	-	-	108
-	-	-	-	-	107
-	-	-	-	-	106
-	-	-	-	-	105
-	-	-	-	-	104
-	-	-	-	-	103
2	2	-	3-21000-5	SCR,SHC(10-32x.50)	102
2	2	-	21001-7	SCR, SHC,(1/4-20x1.25)	101
1	1	-	21001-6	SCR, SHC 1/4-20 X 1.00	100
1	1	-	21024-6	WASHER, LOCK #1/4	99
1	1	-	21055-8	WASHER, FLAT #1/4	98
1	1	-	21024-8	WASHER, LOCK #3/8	97
1	1	-	3-21001-5	SCR, SHC 3/8-16 X 1.00	96
-	-	-	-	-	95
-	-	-	-	-	94
-	-	-	-	-	93
1	1	-	2-21000-8	SCR, SHC 8-32 X .63	92
2	2	-	3-21000-0	SCR, SHC 8-32 X .88	91
-	-	-	-	-	90
1	1	-	3-21008-0	SCR,SET SELF-LOC 6-32 X .32	89
4	4	-	21001-3	SCR,SHC 1/4-20 X .62	88
4	4	-	2-21000-6	SCR, SHC 8-32 X .38	87
1	1	-	373469	STOCK DRAG SPRING	86
1	1	-	370573	DRAG STUD	85
2	2	-	21021-4	NUT,HEX, SELF-LOC 10-32	84
2	2	-	3-21000-5	SCR,SHC(10-32x.50)	83
-	-	-	-	-	82
1	1	-	2-21000-6	SCR, SHC 8-32 X .38	81
1	1	-	21024-4	WASHER, LOCK #8	80
2	2	-	1-21030-5	FEED FINGER PIN, DOWEL	79
3	3	-	3-21006-8	SCR,SET 8-32 X .25	78
5	5	-	21055-6	WASHER, FLAT #8	77
1	1	-	21018-6	NUT, JAM 8-32	76
1	1	-	4-21006-4	SCR, SET 8-32 X .50	75
-	-	-	-	-	74
-	-	-	-	-	73
1	1	-	2-21549-3	SCR,SET SELF-LOC 1/4-20 X .50	72
1	1	-	6-21029-9	PIN,SLOTTED SPR .312 X 1.50	71
-2	-1	U/M	PART NO	DESCRIPTION	ITEM NO

QTY REQD PER ASSY	PARTS LIST
-2 -1 U/M	PARTS LIST

LOC	DIST	REV	DESCRIPTION	DATE	DRN	APPO
A	66	S1	ECR-07-019426	8-2007	MY	GB

QTY	REV	U/M	PART NO	DESCRIPTION	ITEM NO
-	-	-	-	-	70
-	-	-	-	-	69
-	-	-	-	-	68
-	-	-	-	-	67
-	-	-	-	-	66
-	-	-	-	-	65
-	-	-	-	-	64
1	1	-	465184-8	LUBRICATOR ASSY	63
-	-	-	-	-	62
1	1	-	452373-1	PLATE I.D.	61
3	3	-	21017-6	SCR, RH DRIVE	60
-	-	-	-	-	59
-	-	-	-	-	58
-	-	-	-	-	57
-	-	-	-	-	56
REF	REF	-	692655-6	AIR VALVE ASSY	55
-	-	-	-	-	54
-	-	-	-	-	53
1	1	-	692653-1	AIR FEED CYLINDER SUB-ASSY	52
1	1	-	692655-5	AIR FEED VALVE SUB-ASSY	51
-	-	-	-	-	50
-	-	-	-	-	49
1	1	-	570238	BASE MOUNT	48
1	1	-	465317-1	BASE PLATE	47
1	1	-	811839-3	AUX ANVIL HOLDER	46
1	1	-	811838-2	ANVIL HOLDER	45
-	-	-	-	-	44
1	1	-	689722-3	ANVIL, .180 WIDTH	44
1	1	-	1-689722-8	ANVIL, .160 WIDTH	43
1	1	-	455443-1	DEFLECTOR, CHIP	42
1	1	-	387083	SHEAR SPRING	41
1	1	-	815871-1	BASE BLOCK	40
-	-	-	-	-	39
1	1	-	811239-1	SHEAR, PLATE	39
-	-	-	-	-	38
-	-	-	-	-	37
1	1	-	811239-4	SHEAR, PLATE	36
1	1	-	816513-1	SHEAR, FLOATING	35
-	-	-	-	-	34
-	-	-	-	-	33
-	-	-	-	-	32
1	1	-	815872-1	BRACKET, FEED MOUNTING	31
-	-	-	-	-	30
-	-	-	-	-	29
1	1	-	692968-8	SPACER, STRIPPER	28
2	2	-	811266-5	STRIPPER	27
1	1	-	692875-4	MOUNT, STRIPPER	26
-	-	-	-	-	25
-	-	-	-	-	24
-	-	-	-	-	23
1	1	-	815932-1	STRIP GUIDE PLATE	22
1	1	-	465320-5	FRONT STRIP GUIDE	21
1	1	-	465350-5	REAR STRIP GUIDE	20
1	1	-	387650-4	DRAG, STOCK	19
-	-	-	-	-	18
1	1	-	816514-1	SHEAR DEPRESSOR	17
1	1	-	370570	SPACER	16
1	1	-	456414-4	WIRE CRIMPER .160F	15
-	-	-	-	-	14
1	1	-	811645-1	TIP, FEED FINGER	13
1	1	-	811644-1	FINGER, FEED	12
1	1	-	810131	ARM, FEED FINGER	11
1	1	-	374999	TENSION ADJUSTING PLATE	10
-	-	-	-	-	9
-	-	-	-	-	8
1	1	-	471167	RAM	7
1	1	-	815870-1	TOOL HOLDER	6
-	-	-	-	-	5
1	1	-	374109	SPACER, CRIMPER	4
-	-	-	-	-	3
1	1	-	469003-1	SHEAR DEPRESSOR	2
-	-	-	-	-	1
-	-	-	-	-	1
-1	-1	U/M	PART NO	DESCRIPTION	ITEM NO

QTY REQD PER ASSY	PARTS LIST
-2 -1 U/M	PARTS LIST

THIS DRAWING IS A CONTROLLED DOCUMENT.

DATE: 3-29-95
 CHK: M. O'BRIEN
 DATE: 3-29-95
 CHK: C. ERISMAN
 DATE: 3-29-95
 APPO: T. REDDICK
 NAME: T. REDDICK

Tyco Electronics Corporation
 Harrisburg, PA 17105-3608

STD APPL. (45 DEG ROTATED SPLICE)

SIZE: A1
 CAGE CODE: 00779
 DRAWING NO: 566347

CUSTOMER DRAWING
 SCALE: 1:4
 SHEET: 1 of 1
 REV: S1