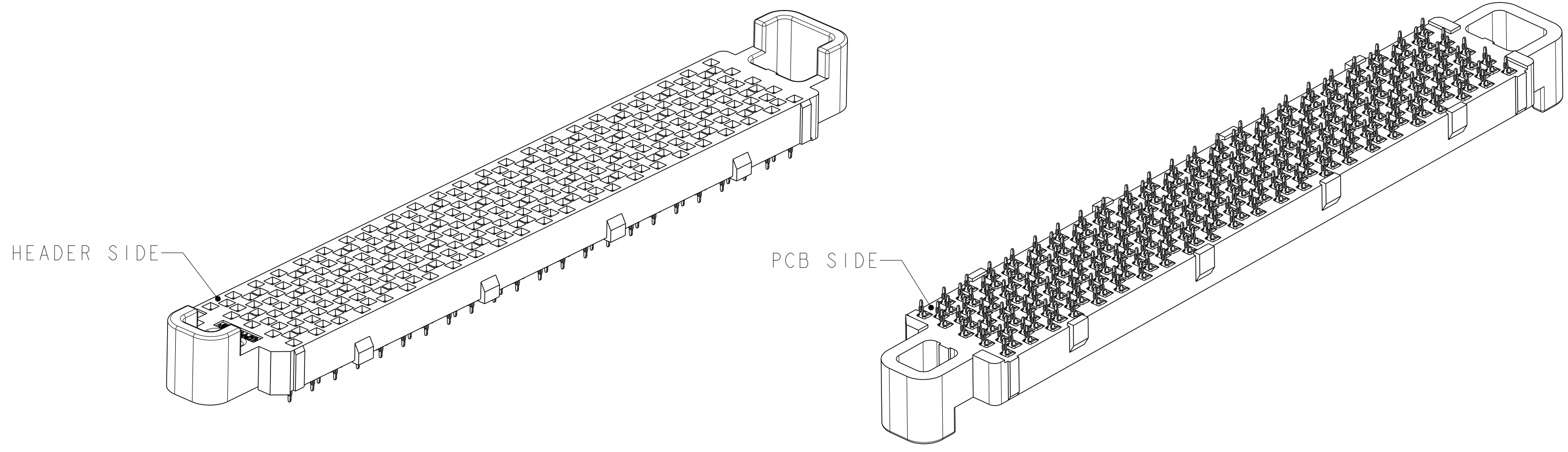
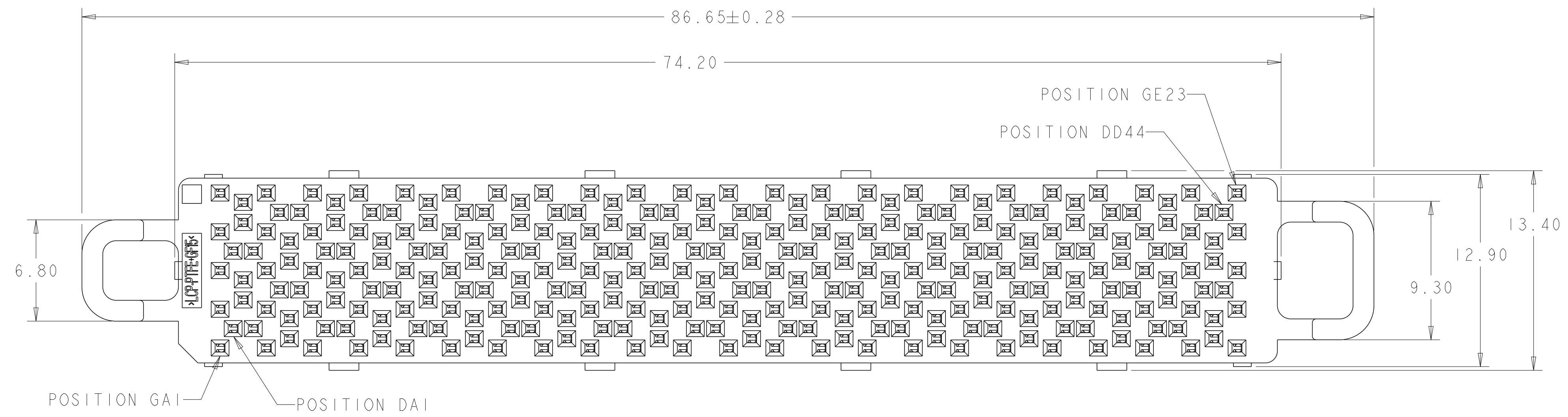


LOC	DIST	REVISIONS					
GP	00	P	LTN	DESCRIPTION	DATE	DWN	APVD
		A		REVISED PER ECO-12-018201	11OCT2012	KH	MH



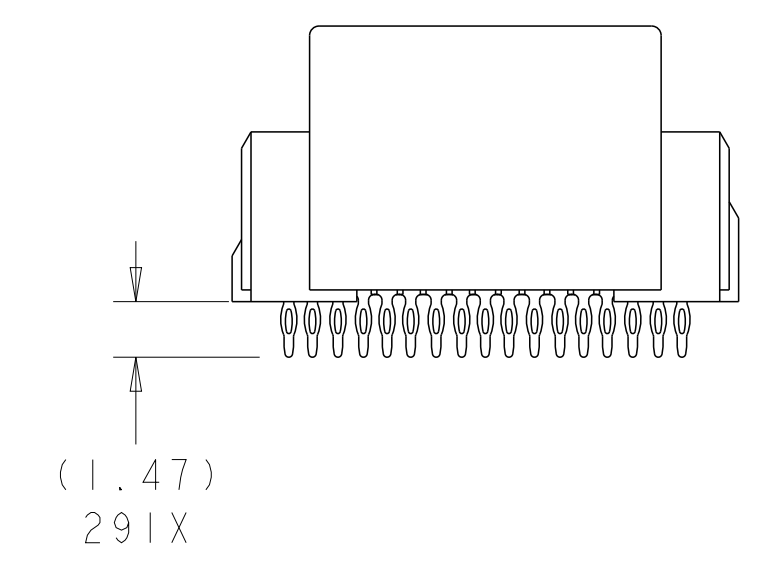
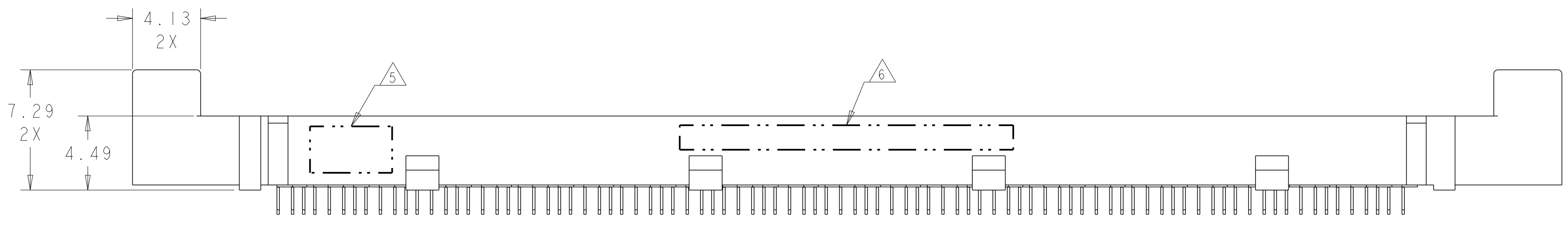
ISOMETRIC VIEWS
SCALE 3:1

- 1 MATERIAL:
HOUSING: THERMOPLASTIC, FLAMMABILITY RATING UL94 V-0
CONTACT: COPPER ALLOY
- 2. CONFORMS TO THE REQUIREMENTS OF TE PRODUCT SPECIFICATION, 108-2375; BASED ON TELCORDIA GR-1217-CORE FOR SYSTEM QUALITY LEVEL III, APPLICATIONS IN CONTROLLED ENVIRONMENTS (CENTRAL OFFICE).
SEE TE PRODUCT SPECIFICATION 108-2375 FOR TEST SEQUENCES.
- 3 ROWS GA THRU GE (SHOWN DARKENED) ARE TYPICALLY USED AS GROUNDS.
- 4 SPECIFIED POSITIONAL TOLERANCE DEFINES HOLE TO HOLE LOCATION WITHIN HOLE PATTERN. POSITIONAL TOLERANCE OF HOLE PATTERN TO FIDUCIAL MARKS OR PCB DATUMS SHALL BE DEFINED BY CUSTOMER.
- 5 AREA RESERVED FOR TE CONNECTIVITY LOGO.
- 6 AREA RESERVED FOR PART NUMBER (X-XXXXXXX-X) AND DATE CODE (YYWW).
- 7 USE CENTERLINES INDICATED ON PCB HOLE PATTERN TO ESTABLISH ALIGNMENT BETWEEN HEADER AND RECEPTACLE BOARDS.
- 8 PLATED THROUGH HOLE REQUIREMENTS:
HOLE SIZE PRIOR TO PLATING = $\varnothing 0.420 \pm 0.013$
COPPER PLATING THICKNESS = 0.038 ± 0.013
CALCULATED FINISHED HOLE SIZE = $\varnothing 0.344 \pm 0.039$
THESE DIMENSIONS APPLY TO THE TOP 1.25mm OF THE PCB THICKNESS FROM THE CONNECTOR MOUNTING SIDE.



SIZE 3 HALF-WIDE W/GUIDE POSTS*
88 DIFFERENTIAL PAIRS + GROUNDS
291 TOTAL SIGNAL CONTACTS

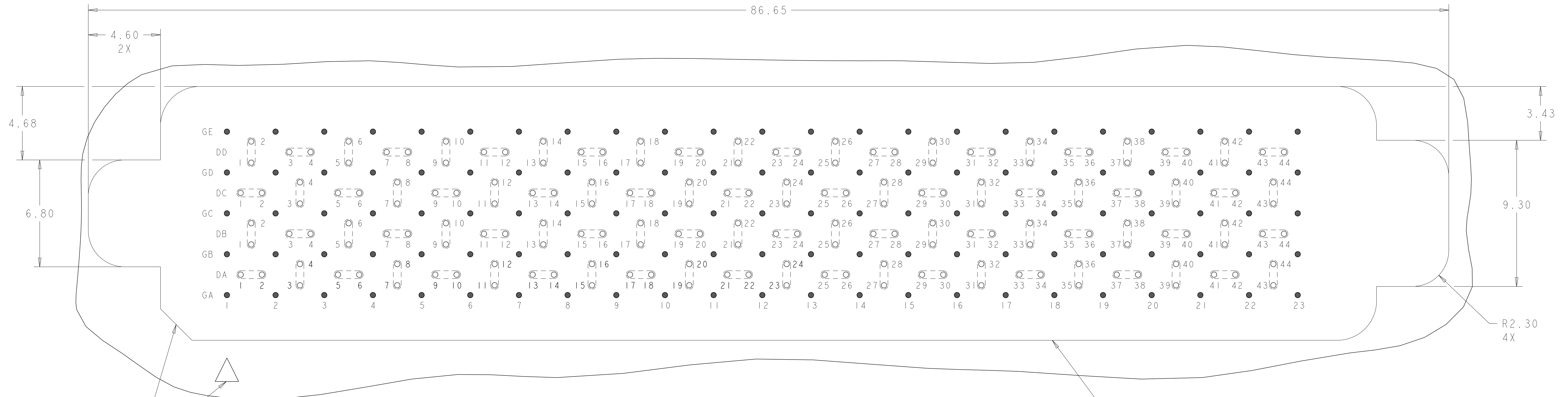
* SIZE 1 AND SIZE 2 ARE ALSO AVAILABLE



YES	MATTE Sn Sn/Pb	5-2149791-1 2149791-1
TOOLED	CONTACT TAIL PLATING	PART NUMBER

THIS DRAWING IS A CONTROLLED DOCUMENT.		DWN HAMNER 31AUG2010	
DIMENSIONS:		CHK D. TROUT 29SEP2010	
TOLERANCES UNLESS OTHERWISE SPECIFIED:		APVD J. FEDDER 29SEP2010	
mm		NAME RECEPTACLE ASSEMBLY, HALF-WIDE, 88/291, STRADA MESA MEZZANINE CONNECTOR	
0 PLC ±		PRODUCT SPEC 108-2375	SIZE CAGE CODE DRAWING NO RESTRICTED TO A100779C=2149791
1 PLC ±0.13		APPLICATION SPEC 114-13249	
2 PLC ±0.013		WEIGHT	CUSTOMER DRAWING
3 PLC ±		SCALE 6:1	SHEET 1 OF 3
4 PLC ±		REV A	
ANGLES ±1			
FINISH			


LOC		DIST		REVISIONS			
P	LYN	DESCRIPTION	DATE	OWN	APVD		
-	-	SEE SHEET 1	-	-	-		



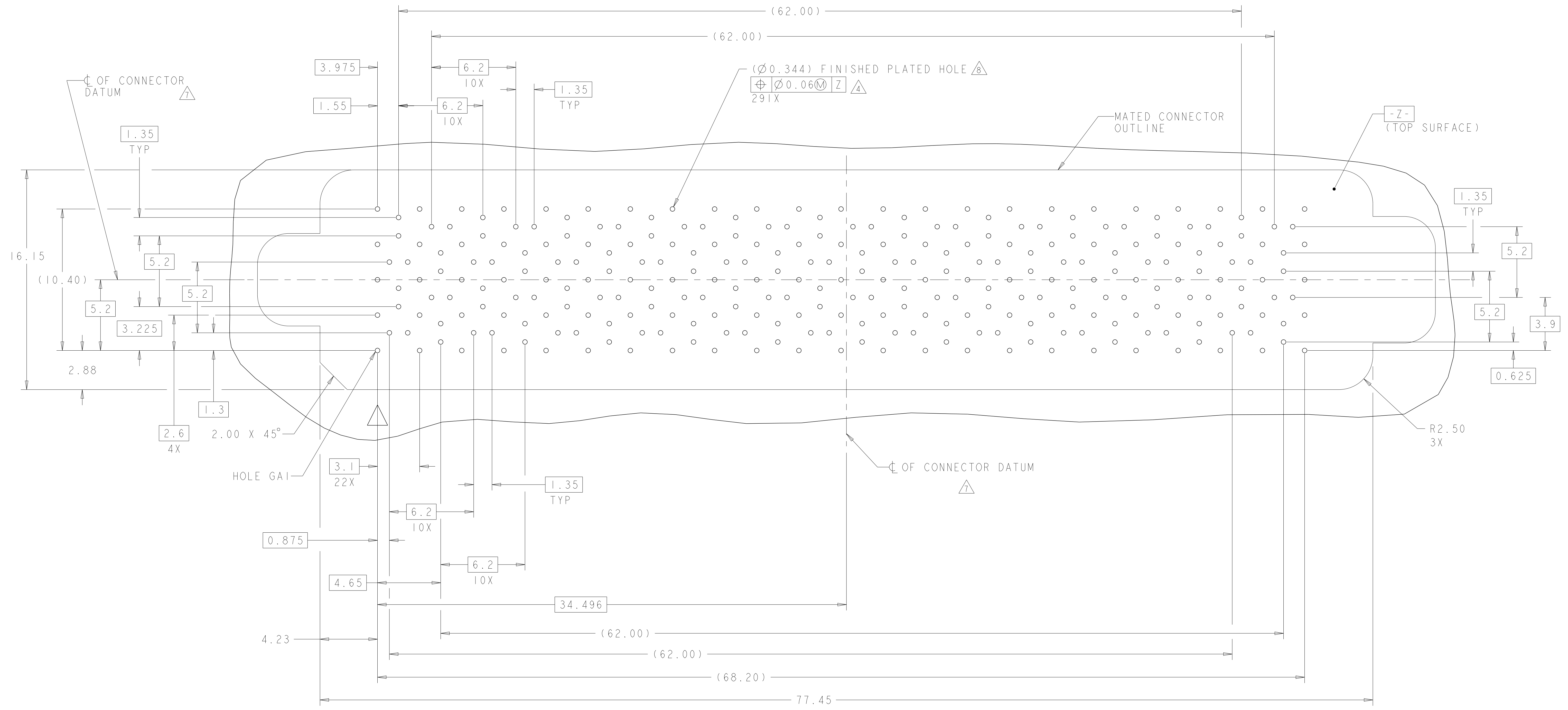
PCB LAYOUT AND PIN IDENTIFICATION 
 SHOWN FROM CONNECTOR SIDE
 SCALE 8:1

MATED CONNECTOR OUTLINE
 SEE SHEET 3 FOR LOCATION TO HOLES

A1 CORNER INDICATORS.

THIS DRAWING IS A CONTROLLED DOCUMENT.		OWN: HAMNER 31AUG2010	 TE Connectivity
DIMENSIONS: mm		CHK: D. TROUT 29SEP2010	
TOLERANCES UNLESS OTHERWISE SPECIFIED:		APVD: J. FEDDER 29SEP2010	NAME: RECEPTACLE ASSEMBLY, HALF-WIDE, 88/291, STRADA MESA MEZZANINE CONNECTOR
0 PLC ±		PRODUCT SPEC: 108-2375	SIZE: A100779
1 PLC ±		APPLICATION SPEC: 114-13249	CAGE CODE: C=2149791
2 PLC ±0.13		WEIGHT: -	RESTRICTED TO: -
3 PLC ±0.013		CUSTOMER DRAWING	SCALE: 6:1
4 PLC ±			SHEET: 2 OF 3
ANGLES ±1			REV: A
FINISH: -			

LOC	DIST	REVISIONS					
GP	00	P	LTN	DESCRIPTION	DATE	DMN	APVD
-	-	-	-	SEE SHEET 1	-	-	-



PCB HOLE PATTERN
 SHOWN FROM CONNECTOR SIDE
 SCALE 7:1

THIS DRAWING IS A CONTROLLED DOCUMENT.		DMN HAMNER 31AUG2010	TE Connectivity NAME RECEPTACLE ASSEMBLY, HALF-WIDE, 88/291, STRADA MESA MEZZANINE CONNECTOR
DIMENSIONS: mm		CHK D. TROUT 29SEP2010	
TOLERANCES UNLESS OTHERWISE SPECIFIED:		APVD J. FEDDER 29SEP2010	PRODUCT SPEC
0 PLC	±	108-2375	APPLICATION SPEC
1 PLC	±0.13	114-13249	SIZE CAGE CODE DRAWING NO
2 PLC	±0.013	114-13249	RESTRICTED TO
3 PLC	±	114-13249	A100779C=2149791
4 PLC	±	114-13249	SCALE 6:1 SHEET 3 OF 3 REV A
ANGLES	±1	114-13249	
FINISH		114-13249	
MATERIAL		114-13249	
CUSTOMER DRAWING		114-13249	