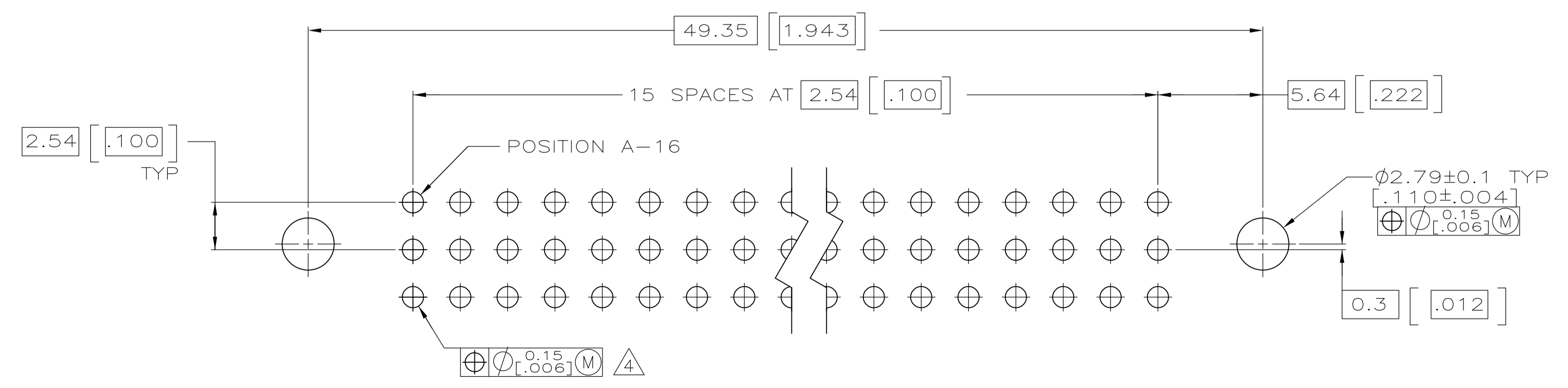
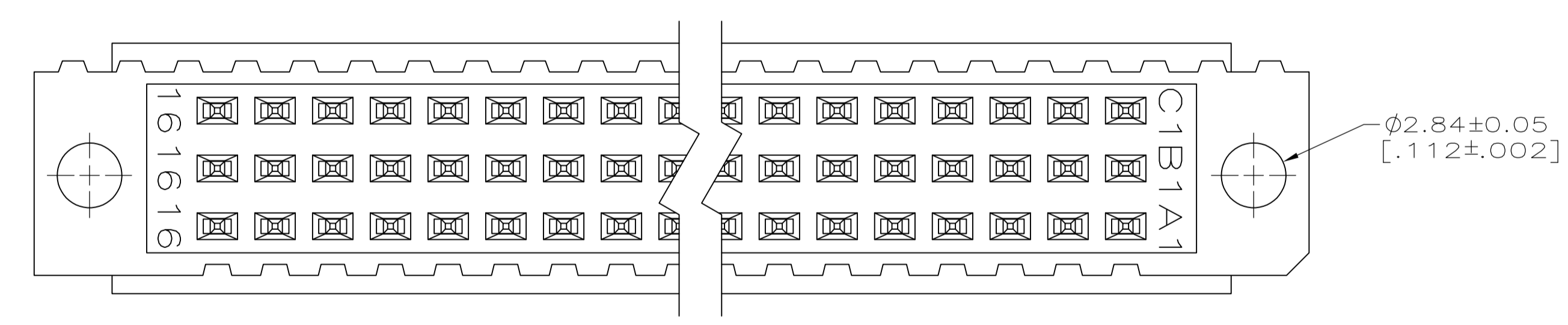
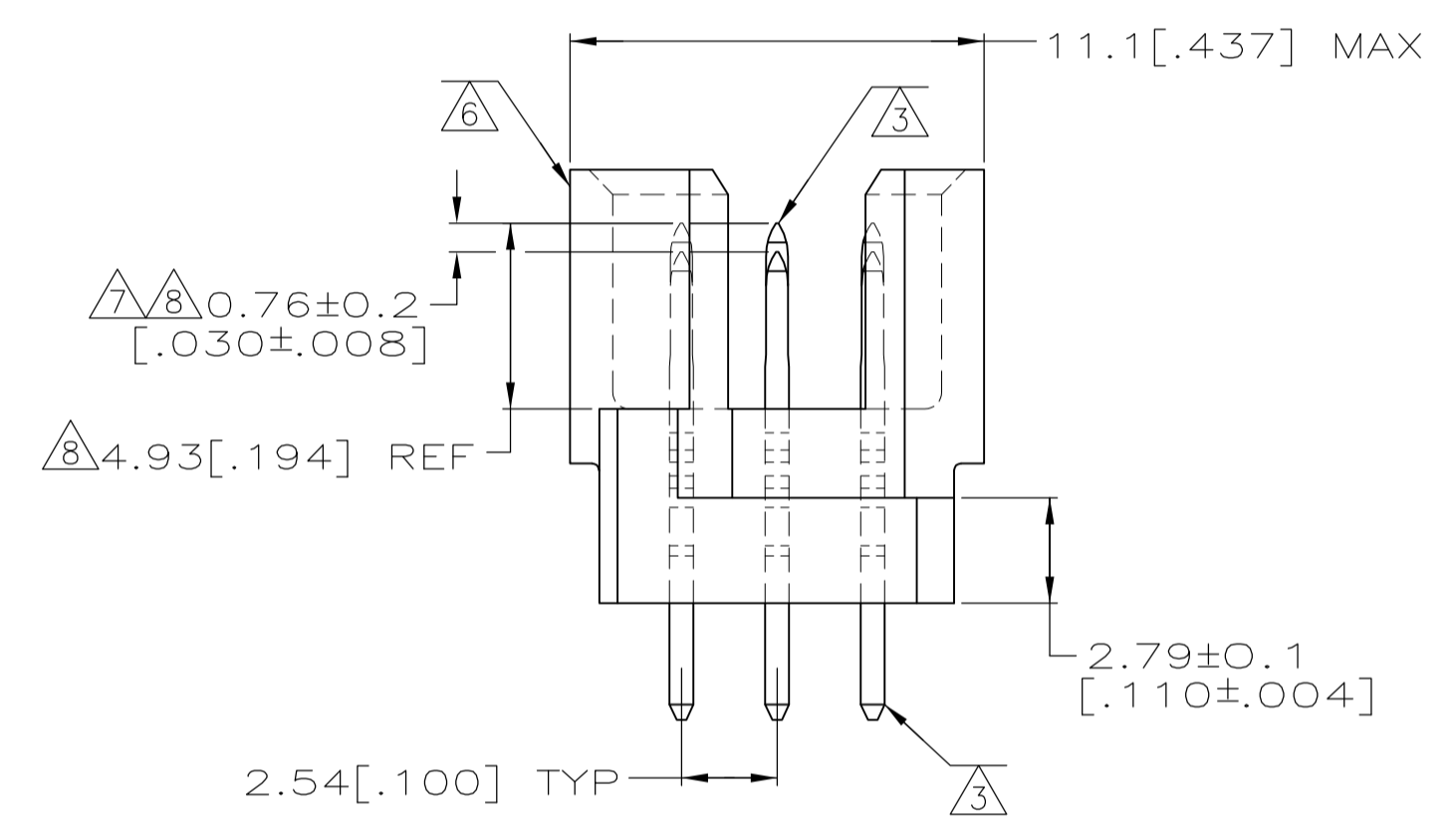
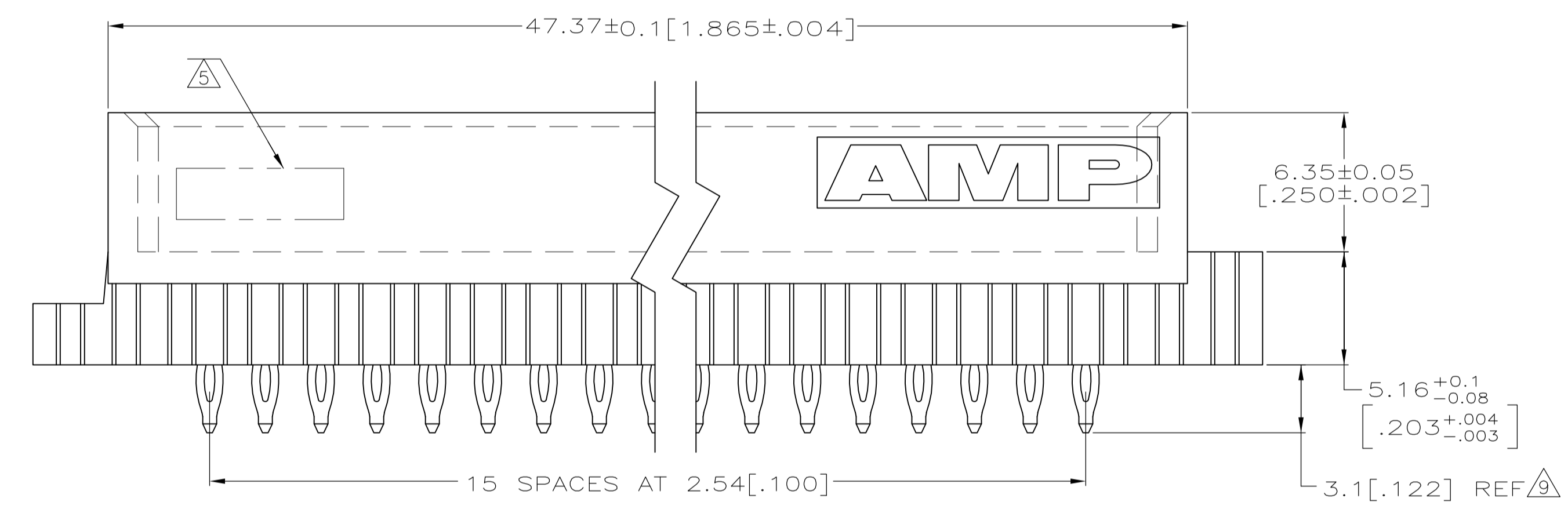
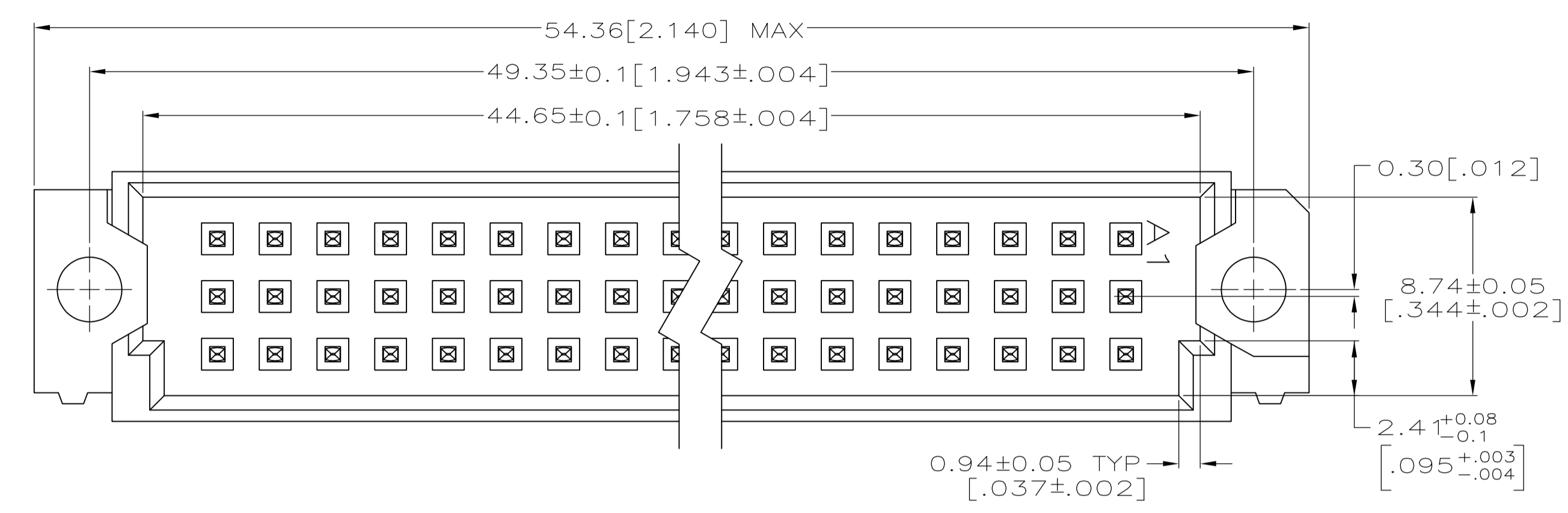


- 1 HOUSING MATERIAL: GLASS-FILLED POLYMER.
- 2 POST MATERIAL: COPPER ALLOY
POST FINISH: DIN 41612 CLASS 2 IN CONTACT AREA. TIN ON POST.
- 3 PC BOARD HOLES REQUIRED FOR ACTION PIN CONTACTS ARE $\phi 1.15$ [.0453] DRILL PLATED THROUGH WITH 0.02-0.08 [.001-.003] COPPER AND 0.008 [.003] MIN TIN-LEAD PLATING.
- 4 FINISHED HOLE AFTER PLATING, $\phi 0.94-1.09$ [.037-.043].
- 5 PART NUMBER, DATE CODE MARKED THIS APPROXIMATE AREA.
- 6 MARKINGS ON THIS SIDE.
- 7 FOR MFBL APPLICATIONS, A 2.36 [.093] MIN THICK PC BOARD IS REQUIRED.
PROGRAMMABLE SEATING TOOL 768216-1 MUST BE USED.
- 8 TO BE 4.16 [.164] REF FOR LAST MAKE PINS AFTER SEATING. POST LENGTH DIFFERENCE BETWEEN SHORT AND LONG PINS TO BE 0.76 ± 0.2 [.030 \pm .008] AFTER SEATING.
- 9 THIS DIMENSION WILL BE 4.06 [.160] MAX AFTER SEATING FOR PINS WITH 4.17 [.164] REF MATING POST.
FOR 1.57 [.062] THICK PC BOARD APPLICATIONS, USE SEATING TOOL 768211-1. PROGRAMMABLE SEATING TOOL 768216-1 WITH PUSH PINS FOR MAKE FIRST CONTACTS ONLY, CAN ALSO BE USED.



5148472-4
PART NUMBER

THIS DRAWING IS A CONTROLLED DOCUMENT.		DIN J. POLIGNONE	OSMAYOS	Tyco Electronics Corporation Harrisburg, Pa 17105-3608	
DIMENSIONS: mm [INCHES]		OSMAYOS	OSMAYOS	NAME ASSEMBLY, PIN, EUROCARD, TYPE 1/2R, 48 POSITION, 4.06[.160] PRESS-FIT POSTS, PROGRAMMABLE	
TOLERANCES UNLESS OTHERWISE SPECIFIED:		OSMAYOS	OSMAYOS	APPLICATION SPEC	
0 PLC ± -				SIZE CAGE CODE DRAWING NO	
1 PLC ± -				RESTRICTED TO	
2 PLC ± 0.13[.005]				A1 00779 C=5148472	
3 PLC ± -				WEIGHT	
4 PLC ± -				CUSTOMER DRAWING	
ANGLES ± -				SCALE 5:1 SHEET 1 OF 1 REV 01	
MATERIAL		FINISH			