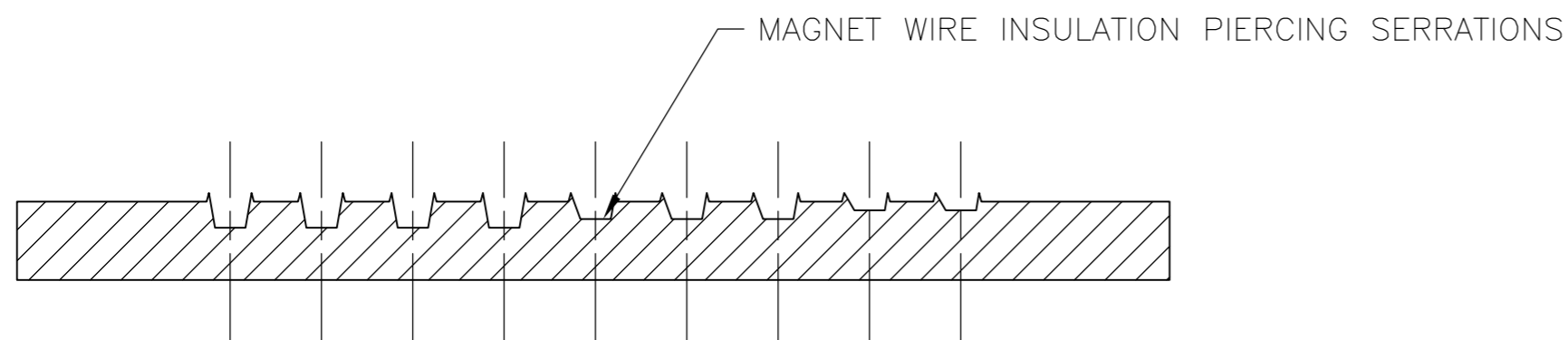
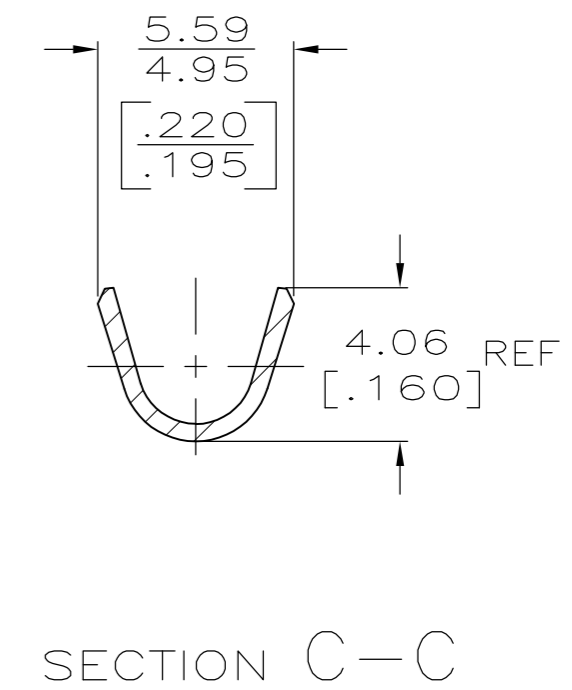
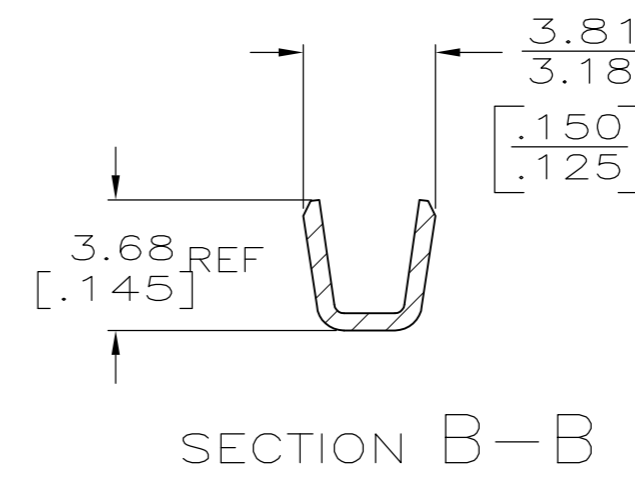
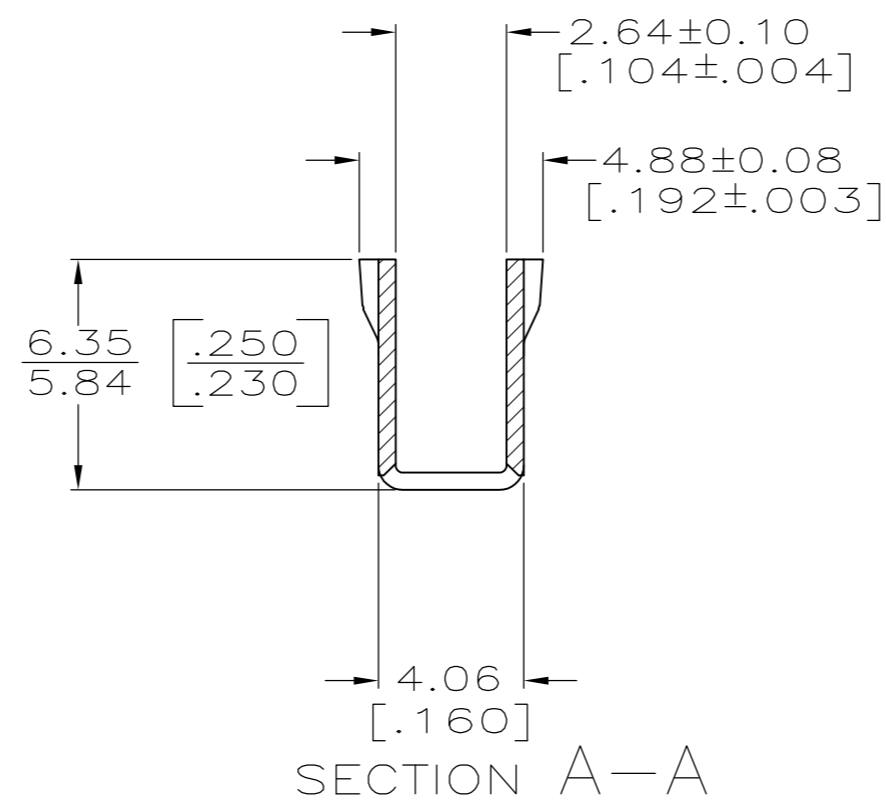
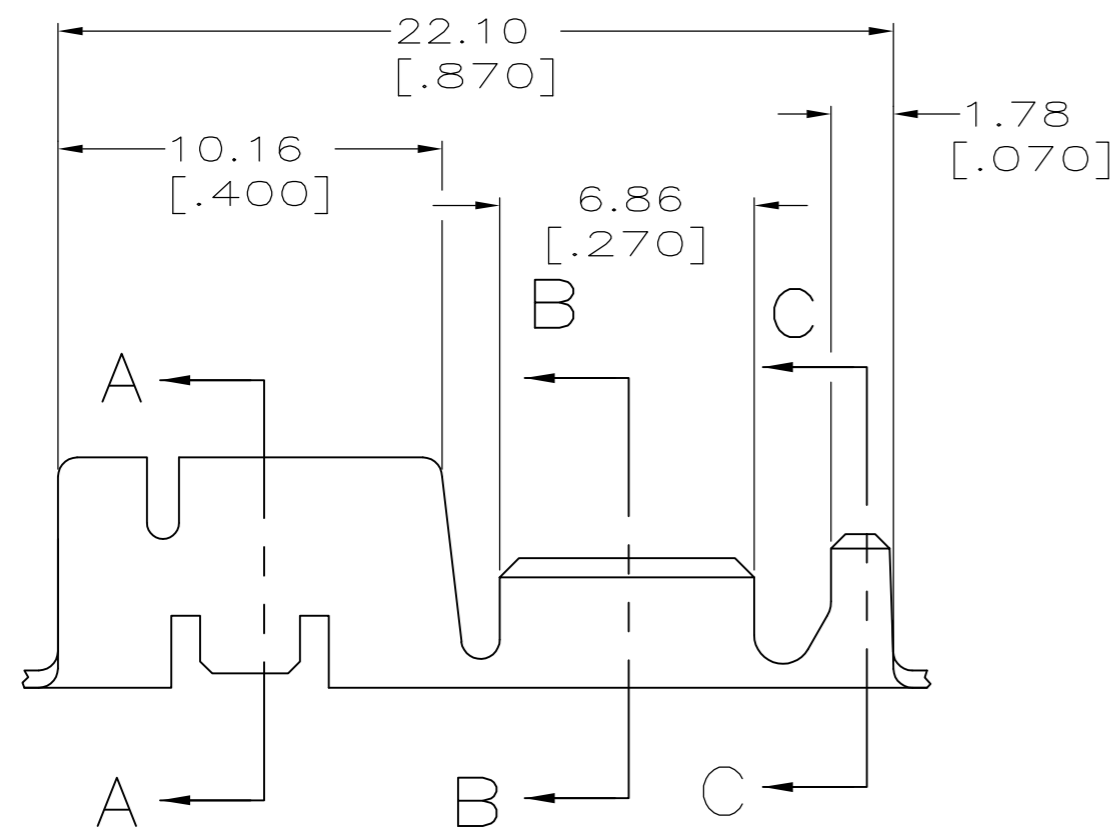
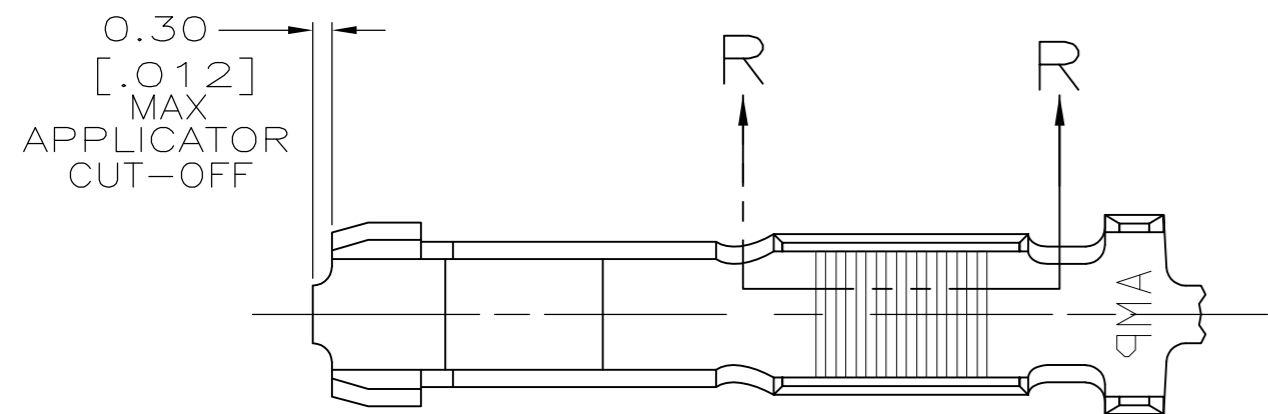


THIS DRAWING IS UNPUBLISHED. RELEASED FOR PUBLICATION
 © COPYRIGHT - By - ALL RIGHTS RESERVED.

LOC	DIST	REVISIONS			
P	LTR	DESCRIPTION	DATE	DWN	APVD
AF	52	M2	REVISED PER ECR-13-005683	04APR13	KH GJ

- CONTINUOUS STRIP ON REELS WITH TERMINALS LOCATED ON 23.75 [.935] CENTERS.
- STANDARD RETENTION TYPE



1.90-3.18 DIA [.075-.125]	1500-4200 CMA	63454-1
INSULATION RANGE	WIRE RANGE	PART NUMBER

THIS DRAWING IS A CONTROLLED DOCUMENT.		DWN MS FEHER 11/12/87		
DIMENSIONS: mm [INCHES]		CHK G YETTER 11/17/87		
TOLERANCES UNLESS OTHERWISE SPECIFIED:		APVD J SWARTZ 11/17/87		
0 PLC ± - 1 PLC ± - 2 PLC ± 0.25 [.010] 3 PLC ± - 4 PLC ± - ANGLES ± -		PRODUCT SPEC 108-2008		
MATERIAL 0.51[.020] #3 HARD PHOSPHOR BRONZE		FINISH POST TIN	APPLICATION SPEC 114-2009	NAME RECEPTACLE, CLUSTER PIN, AMPLIVAR, 3.18 [.125] DIA
		WEIGHT -	SIZE A2	CAGE CODE 00779
			DRAWING NO C-63454	RESTRICTED TO -
			SCALE 5:1	SHEET 1 of 1
			CUSTOMER DRAWING	REV M2